



## LEVEL REGULATOR

### GENERAL FEATURES

A1 and A2 type level regulator devices are fully automatic devices used to control and adjust liquid level in open and closed containers. That equipment used in all pressurised boilers and water booster up to 16 atm. It consist of 2 pieces 3 functional contact tubes and provides 3 on-off status.

The liquid level is measured by float which is 25 atm pressure resistant stainless steel. The movement of the float moves the switch with a stainless steel shaft. The active movement and sealing of the shaft and the float is provided by 25 atm resistant stainless steel. The contact and control parts are insulated with pressurized aluminium casting.

It is possible to control the device in the system through the manual control and monitoring window in the switch housing.

The switch part is firmly attached against the shocks. There is a safety unit against the wrong adjustments that may occur. There is not wearing sealing box.

Wide range of settings: A1: 15 - 75 mm, A2: 15 - 30 mm. Mercury contact tubes can also be adjusted and can operate at 380 V, 3A, 1.1 kW alternating current or 220 V 1.A 220 VA direct current. The new type Flanged Level Regulator Device provides a practical use with its easy to install feature.

#### **Connection**

Threaded or Flanged

#### **Pressure**

Max. 25 bar

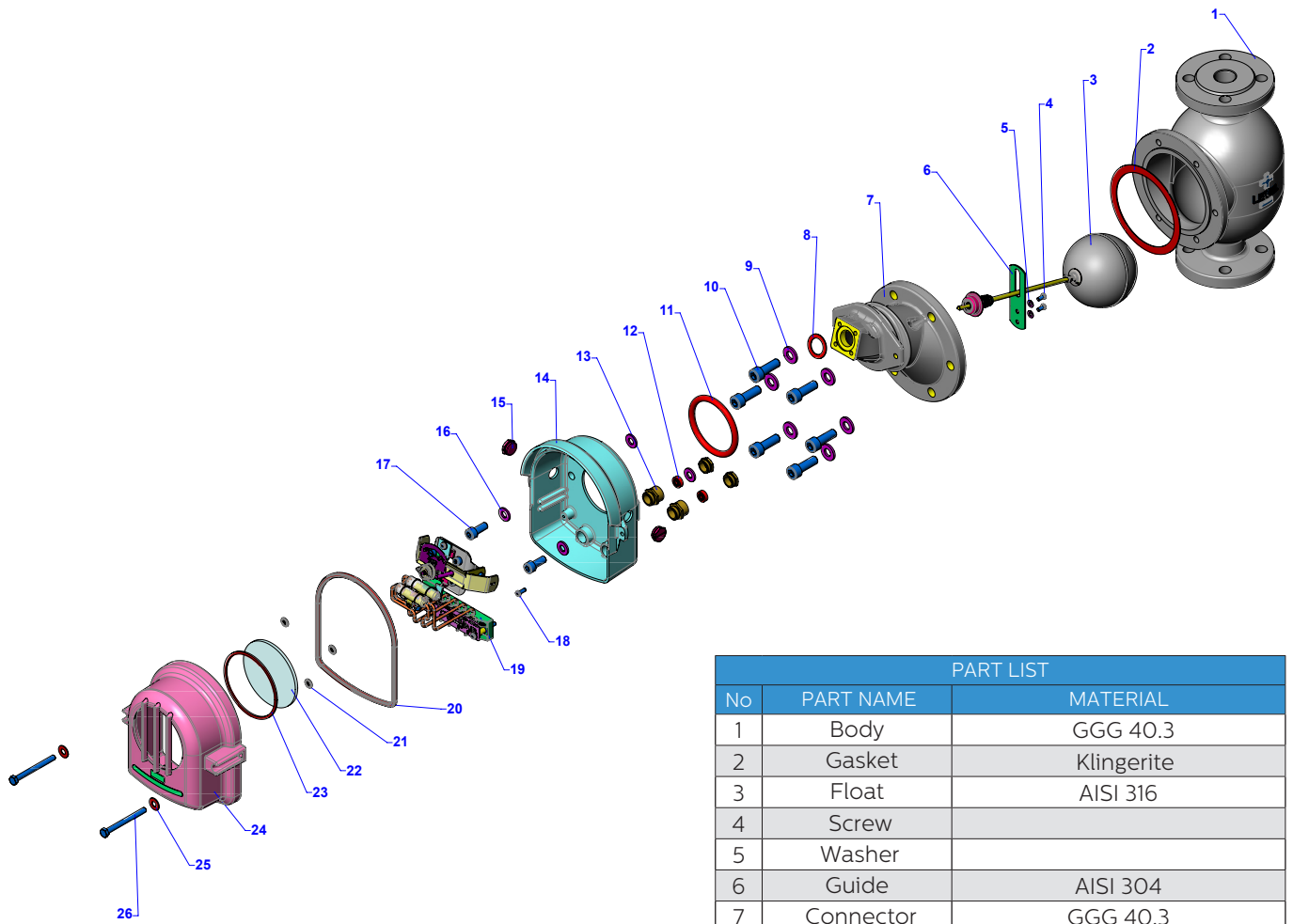
#### **Working Temperature**

Max. Working Temperature 200 °C

#### **Applications**

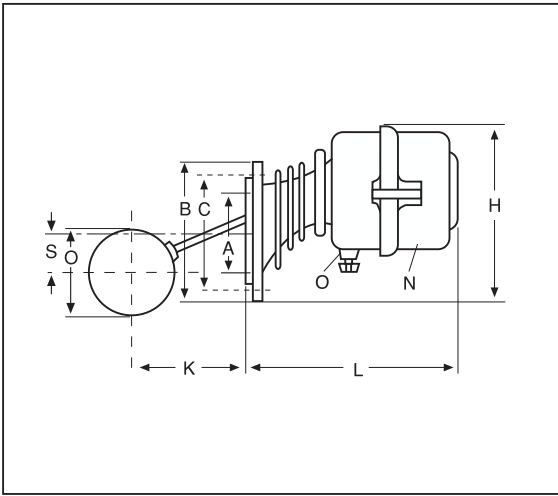
- Water Booster
- Steam boilers

# LEVEL REGULATOR

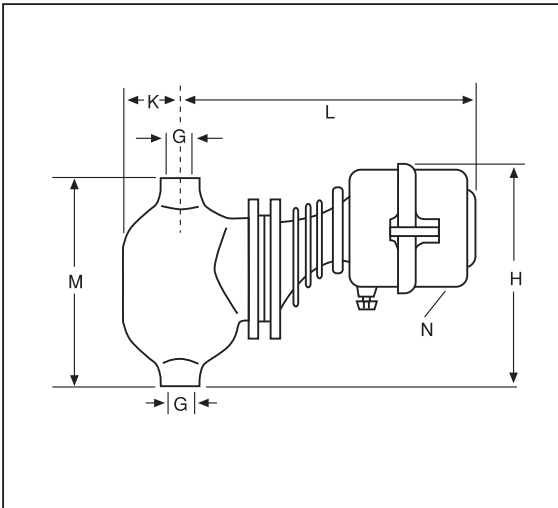


PART LIST		
No	PART NAME	MATERIAL
1	Body	GGG 40.3
2	Gasket	Klingerite
3	Float	AISI 316
4	Screw	
5	Washer	
6	Guide	AISI 304
7	Connector	GGG 40.3
8	Gasket	Klingerite
9	Washer	
10	Imbus Bolt	
11	O-Ring	Silicon
12	Gasket	Rubber
13	Cable Gland	Brass
14	Lower Cover	Aluminium
15	Adjustment Bolt	Brass
16	Washer	
17	Imbus Bolt	
18	Screw	
19	Connector	
20	Cover Gasket	Silicon
21	Washer	
22	Glass	
23	Gasket	Klingerite
24	Upper Cover	Aluminium
25	Washer	
26	Bolt	

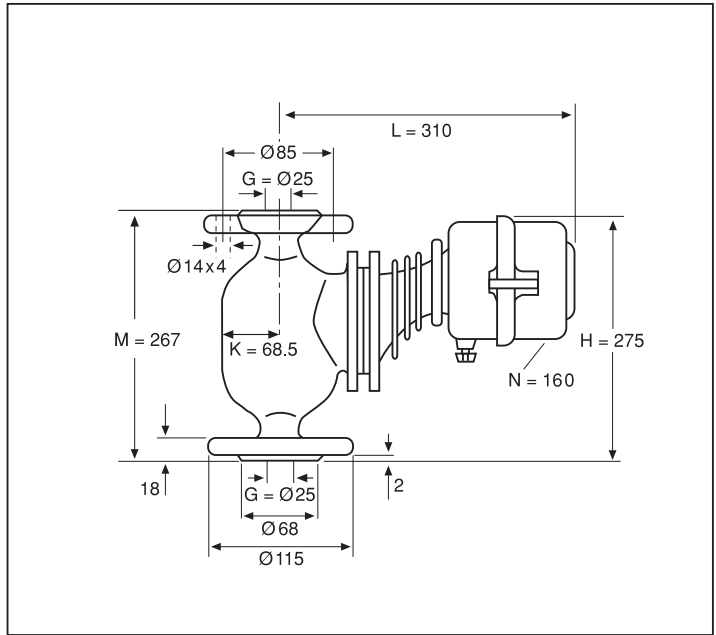
# LEVEL REGULATOR



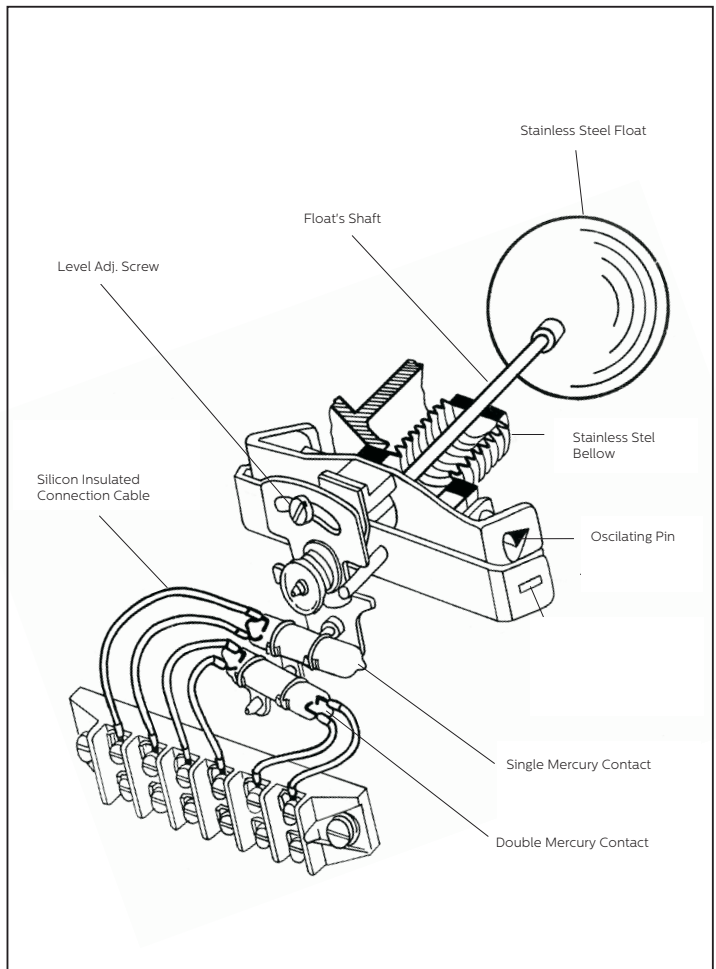
**TYPE A1**



**TYPE A2**



**FLANGED BODY**



		A1	A2
A	mm	100 Ø	—
G	Connection	—	R1
B	mm	145	—
C	mm	125 Ø / 6 x 11.5 Ø	—
H	mm	210	245
K	mm	85	70
L	mm	220	300
M	mm	160	205
N	mm	160	160
O	mm	90	—
S	mm	5	—
Weight	kg	6	11

# LEVEL REGULATOR

---

## LEVEL REGULATOR



### HEAD OFFICE - FACTORY

Atatürk Sanayi Bölgesi Hadımköy Mahallesi Mustafa `nan Caddesi No: 44 Arnavutköy - ISTANBUL  
Tel: +90 212 771 01 45 (pbx) | Fax: +90 212 771 47 27  
info@ayvaz.com | www.ayvaz.com

**Cona**  
**Caserta/Italy**  
Tel: +39 0823 187 3988  
rmolaro@ayvaz.com

**Ayvaz Russia**  
**Moscow/Russia**  
Tel: +74959951728  
ayvazrus@ayvaz.com

**Ayvaz Germany**  
**Viernheim/Germany**  
Tel: +49 62046014399  
germany@ayvaz.com

**Ayvaz Ukraine**  
**Kiev/Ukraine**  
Tel: +380 44 390 57 57  
info@ayvaz.com.ua

**Tricorr**  
**Warsaw/Poland**  
Tel: +48-32-783-295-1  
tricorr@tricorr.eu

**Haci Ayvaz M.E.**  
**Dubai/U.A.E**  
Tel: +971 563550822  
+971 501306871  
mideast@ayvaz.com

**Ayvaz China**  
**Cixi City/China**  
Tel: +86 0574 5897 3851  
info@ayvazchina.com

**Ayvaz Kazakhstan LLP**  
**Almaty/Kazakhstan**  
Tel: +7 (727) 327 97 57  
info\_kz@ayvaz.com  
www.ayvaz.kz

**Ayvaz N**  
**Isperih/Bulgaria**  
Tel: +359 8431 27 32  
office@ayvaz-n.eu

**Ayvaz Serbia**  
**Belgrad/Serbia**  
Tel: +381 61 658 70 52  
yakbiyik@ayvaz.com