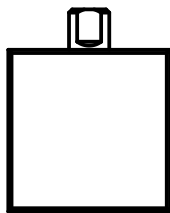
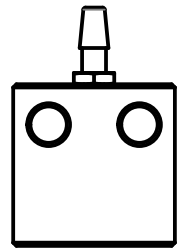
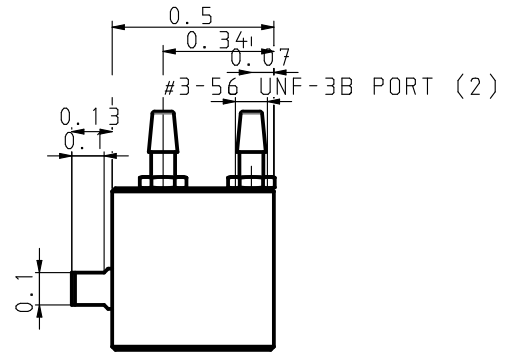
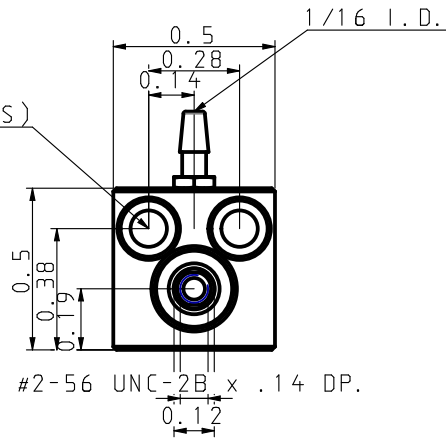


DR & C' BORED FOR A
#3 S. H. C. S. (2 PLACES)



CFS-01011-A

THIS DRAWING CONTAINS PROPRIETARY DESIGNS AND/OR INFORMATION OF BIMBA MFG. CO. OR ITS SUBSIDIARIES AND IS NOT TO BE TRANSMITTED, REPRODUCED, USED OR DISCLOSED WITHOUT WRITTEN PERMISSION OF BIMBA MFG. CO. OR ITS SUBSIDIARIES. DESIGN REFLECTS OUR BEST ENGINEERING OPINION BASED ON WRITTEN APPLICATION SPECIFICATIONS RECEIVED. SUITABILITY OF A DESIGN FOR AN APPLICATION REQUIRES ANALYSIS AND/OR TESTS IN YOUR SPECIFIC SYSTEM.

Bimba is part of
IMI Precision
Engineering



Bimba Manufacturing Co.

Monee, IL. 60449
(800) 442-4622 www.bimba.com

PROPRIETARY DRAWING - Reference Only