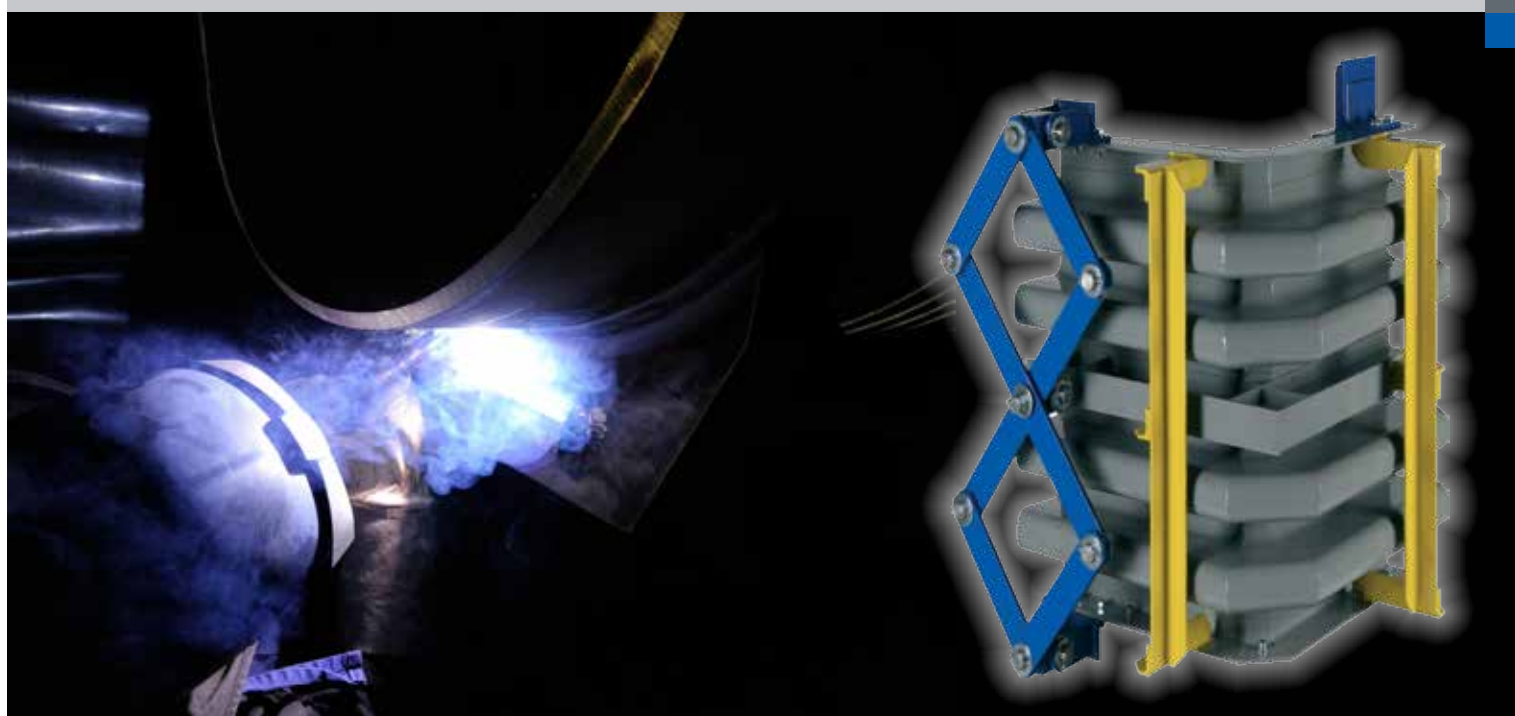
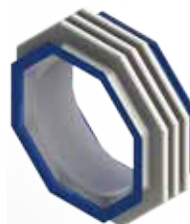


Metallic expansion joints
single-layer, rectangular





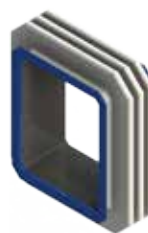
Fabric expansion joints



Single-layer, polygonal metallic expansion joints



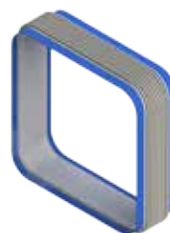
Single-layer, round metallic expansion joints



Single-layer, rectangular metallic expansion joints



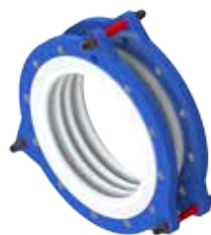
Multi-layer, round metallic expansion joints



Multi-layer, rectangular metallic expansion joints



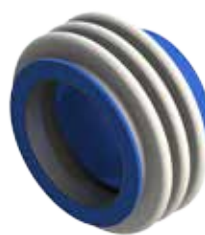
Flexible Hoses



PTFE expansion joints



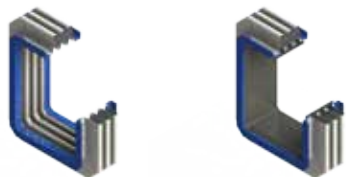
Rubber expansion joints



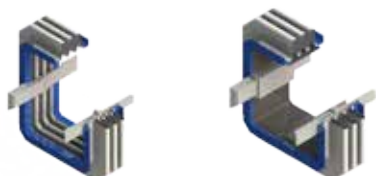
Carbon dust expansion joints

We would be happy to provide you with information and an individual solution tailored to your needs.

Nomenclature metallic expansion joints	Page 2
Corner types for rectangular form.....	Page 3
Connection types for rectangular form	Page 3
Basic types of movement	Page 4



Type A - Axial expansion joint.....	Page 5
up to 300°C, without sleeve	Page 6
up to 300°C, with sleeve	Page 21
up to 530°C, without sleeve	Page 36
up to 530°C, with sleeve	Page 51



Type W - Angular expansion joint.....	Page 66
up to 300°C, without sleeve	Page 67
up to 300°C, with sleeve	Page 88
up to 530°C, without sleeve	Page 109
up to 530°C, with sleeve	Page 130



Type L - Lateral expansion joint	Page 151
---	-----------------

We gladly provide you with an offer for these types with the desired materials and size on request.

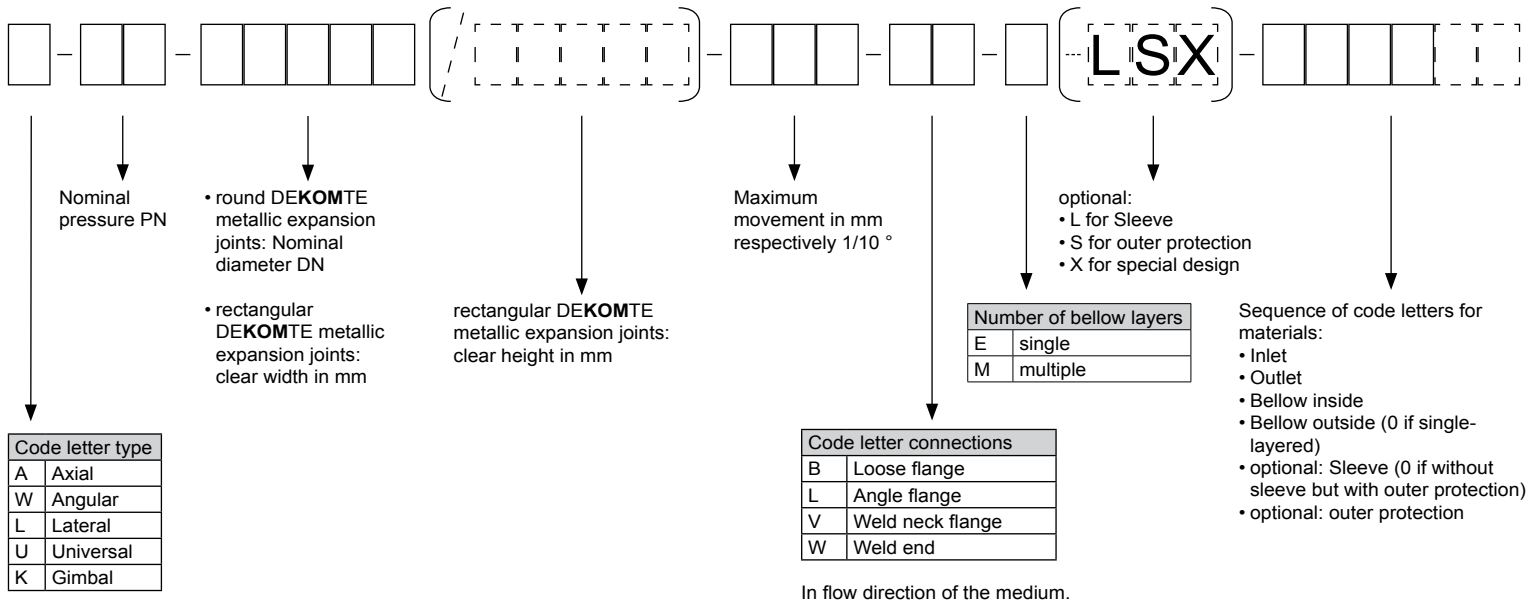


Type K - Gimbal expansion joint	Page 151
--	-----------------

We gladly provide you with an offer for these types with the desired materials and size on request.

Technical questionnaire metallic expansion joints	Page 152
---	----------

Nomenclature metallic expansion joints



Examples:

A-00-02000/04000-100-LL-E-AABO

Rectangular, single-layered DEKOMTE metallic expansion joint with axial movement up to 100 mm at atmospheric pressure, 2000 mm clear width and 4000 mm clear height, at both sides angle flanges made of 1.0038 and bellow material 1.0330.

W-10-00500-053-WW-M-L-SSMMM

Round, multi-layered DEKOMTE metallic expansion joint, nominal pressure PN10, with nominal diameter DN500 and up to 5,3° angular movement, weld ends made from 1.5415 and a sleeve also made from 1.5415. Bellow material is 1.4541.

L-06-03000-020-BB-E-S-AAM00Z

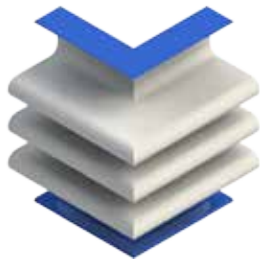
Round, single-layered DEKOMTE metallic expansion joint, pressure stage PN6, with nominal diameter DN3000 and up to 20 mm lateral movement, loose flanges from 1.0038 at both ends, bellow material 1.4541 and with outer protection from a material not specified by the article number.

Bellow material				
Code letter	Material code	Short name	ASTM / AISI name	Max. Temp. (°C)
B	1.0330	DC01	A 366 Gr 1008+1012	300
E	1.4301	X5CrNi18-10	304	550
F	1.4306	X2CrNi19-11	304L	550
G	1.4401	X5CrNiMo17-12-2	316	550
H	1.4404	X2CrNiMo17-12-2	316L	550
K	1.4435	X2CrNiMo18-14-3	316L	550
L	1.4539	X1CrNiMoCuN25-20-5	904L	550
M	1.4541	X6CrNiTi18-10	321	550
N	1.4550	X6CrNiNb18-10	347	550
P	1.4571	X6CrNiMoTi17-12-2	316Ti	550
R	1.4828	X15CrNiSi20-12	309	900
S	1.5415	16Mo3	A 204 Gr A+B+C	530
V	1.8963	Corten B		400
Z*	1.4876	X10NiCrAlTi32-21	Alloy 800	600
Z*	2.4360	NiCu30Fe	Alloy 400	425
Z*	2.4610	NiMo16Cr16Ti	Alloy C-4	400
Z*	2.4816	NiCr15Fe	Alloy B-2	450
Z*	2.4819	NiMo16Cr15W	Alloy C-276	400
Z*	2.4856	NiCr22Mo9Nb	Alloy 625	450
Z*	2.4858	NiCr21Mo	Alloy 825	540
Z*		other		

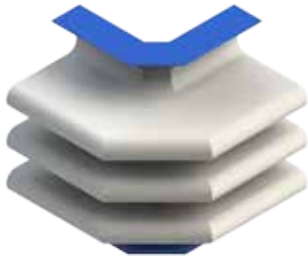
Connection and sleeve material				
Code letter	Material code	Short name	ASTM / AISI name	Max. Temp. (°C)
A	1.0038	S235JR	A 283 Gr B+C, A 501, A 570 Gr 36	300
C	1.0425	P265GH(HII)	A 285 Gr B, A 414 Gr C, A 515 Gr 60	450
D	1.0481	P295GH(17Mn4)	A 414 Gr F+G, A 515 Gr 70	500
E	1.4301	X5CrNi18-10	304	550
F	1.4306	X2CrNi19-11	304L	550
G	1.4401	X5CrNiMo17-12-2	316	550
H	1.4404	X2CrNiMo17-12-2	316L	550
K	1.4435	X2CrNiMo18-14-3	316L	550
L	1.4539	X1CrNiMoCuN25-20-5	904L	550
M	1.4541	X6CrNiTi18-10	321	550
P	1.4571	X6CrNiMoTi17-12-2	316Ti	550
R	1.4828	X15CrNiSi20-12	309	900
S	1.5415	16Mo3	A 204 Gr A+B+C	530
T	1.7335	13CrMo4-5	A 387 Gr 11	570
U	1.7380	10CrMo9-10	A 387 Gr 22, A 542 Gr Class 1-4	600
V	1.8963	Corten B		400
Z*		other		

* please specify material explicitly on inquiry or order.

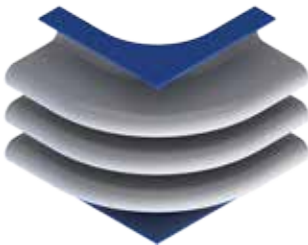
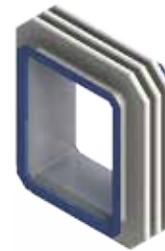
Corner types



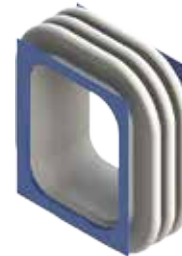
Single miter corner



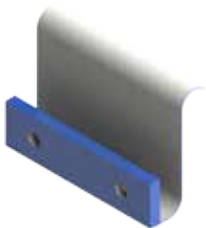
Double miter corner



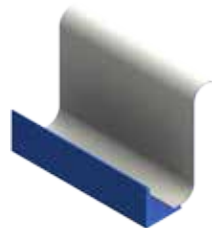
Round corner



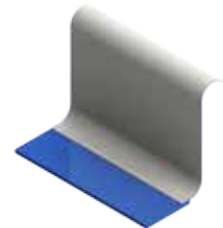
Connection types



Flange



Angle flange



Weld end

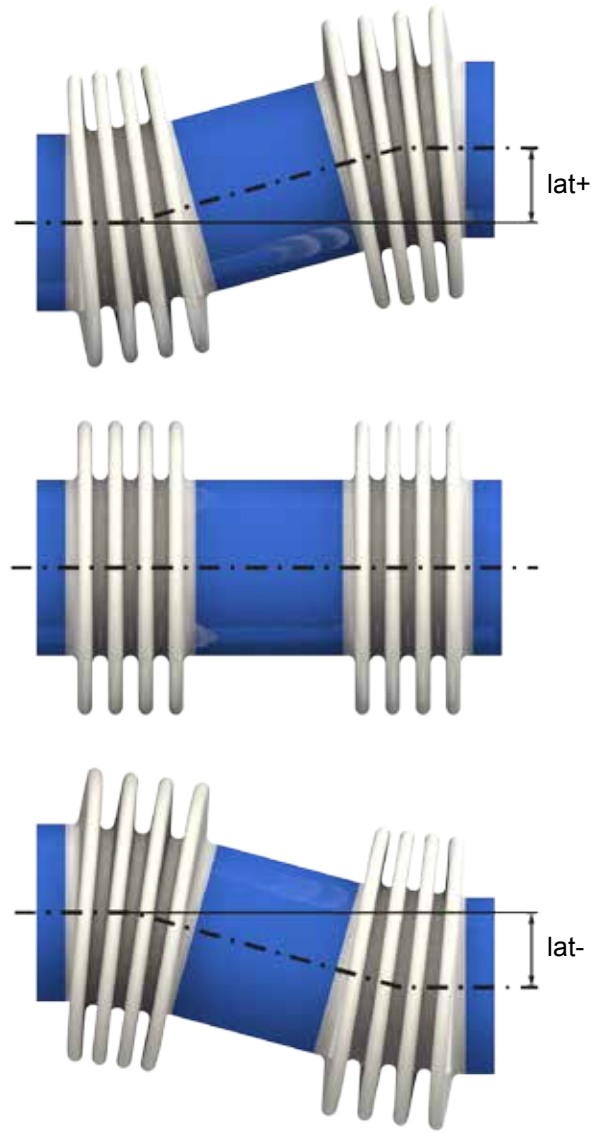
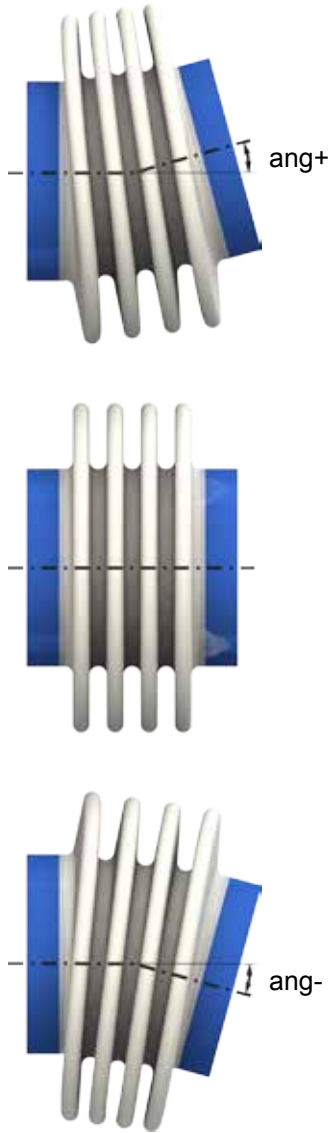
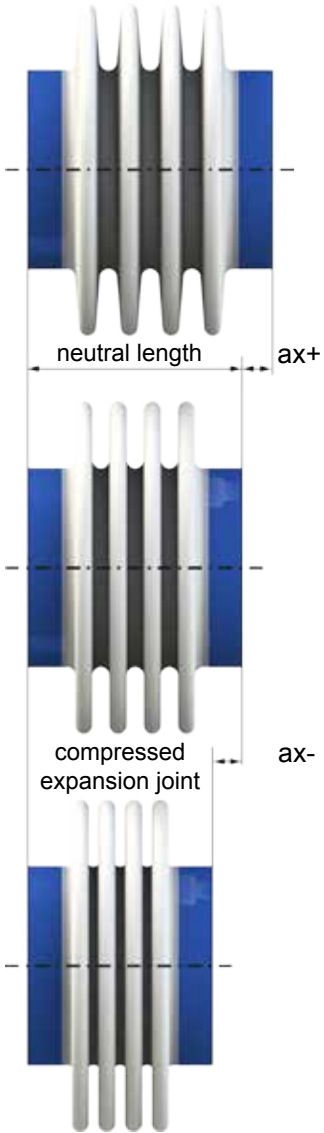
The rectangular DEKOMTE metallic expansion joints in the following data sheets are designed according to EJMA, 9th edition. We would be pleased to provide you with designs of other material and size on your request. The weight might differ up to 10%, the adjustment forces up to 30% from the values given on the data sheets. Special design on request. Rectangular type in any dimension.

axial movement

angular movement

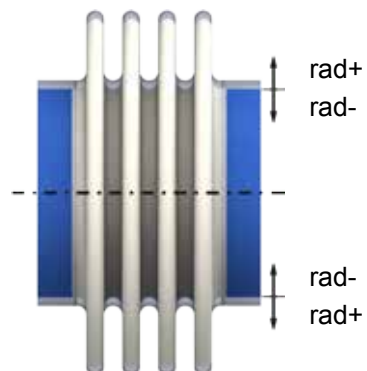
lateral movement

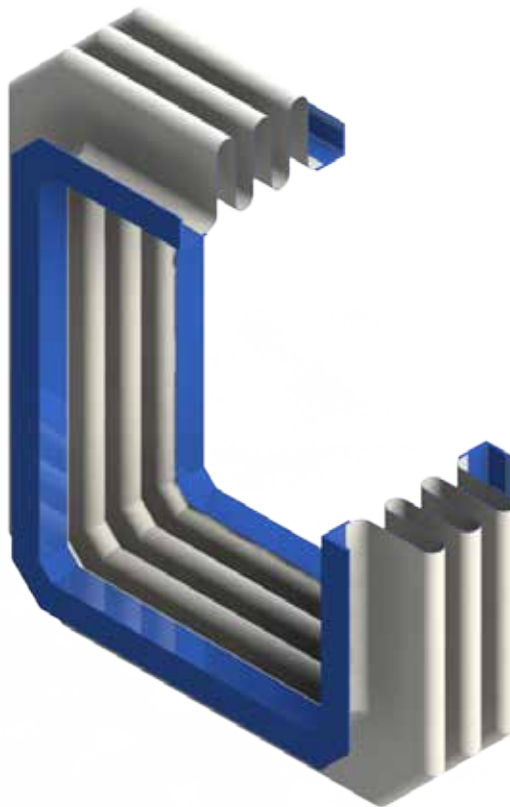
extended expansion joint



radial expansion

Radial expansion of pipes and expansion joints is system inherent and not a movement that can be compensated.





The simplest and most common type of compensation is axial movement. Axial expansion joints absorb the changes in length along the longitudinal direction of a pipe. Correctly dimensioned and positioned fixed points and plain bearings are important for their function.

The load of the necessary fixed points for axial expansion joints results from the pressure, the expansion joint resistance and the pipe friction forces.

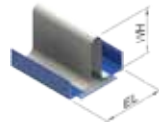
The pressure force is calculated by multiplication of the effective area with the operational pressure. Bellow resistance is the force that the elongation is countered with by the adjustment force.

Pipe friction forces depend on the pipe bearing, the weight of the pipes and the pipe friction coefficient.

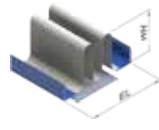
The maximum movement in millimeters given on the following pages refers to translation along the pipe axis. A lateral offset is not considered.

Axial, rectangular metallic expansion joint

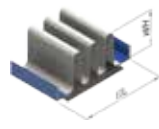
Compensator Properties	Design Temperature	≤ 300 °C
	Design Pressure	100 mbar
	Bellow Material	1.0330
	Corner Type	Double Miter
	Connection	Angle Flange
	Connection Material	1.0038
Profile WH 80mm	L60x6	
Profile WH 150/200mm	L80x8	
Cycles	≥ 1000	



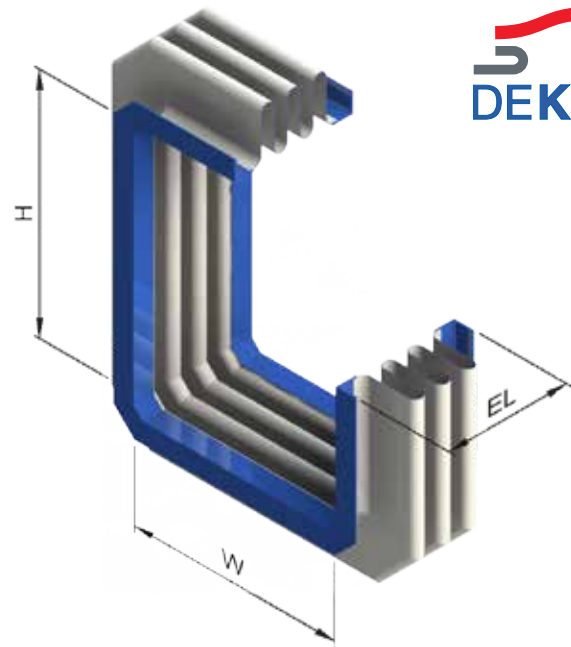
1 convolution



2 convolutions



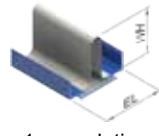
3 convolutions



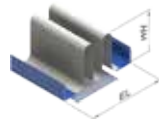
DEKOMTE Article Number	Clear Opening		Maximum Movement	Convolution Height WH	Number of Convolutions	Effective Area	Installation Length EL	Overall Dimension		Axial Adjustment Force	Weight
	Width W	Height H						Width	Height H		
	[mm]	[mm]						[mm]	[mm]		
A-00-00300/00300-006-LL-E-AAB0	300	300	± 6	80	1	1416	200	465	465	684	26
A-00-00300/00300-013-LL-E-AAB0			± 13		2		270			342	31
A-00-00300/00300-019-LL-E-AAB0			± 19		3		340			228	36
A-00-00300/00600-006-LL-E-AAB0	300	600	± 6	80	1	2597	200	465	765	955	37
A-00-00300/00600-013-LL-E-AAB0			± 13		2		270			477	44
A-00-00300/00600-019-LL-E-AAB0			± 19		3		340			318	51
A-00-00400/00400-006-LL-E-AAB0	400	400	± 6	80	1	2303	200	565	565	865	33
A-00-00400/00400-013-LL-E-AAB0			± 13		2		270			432	40
A-00-00400/00400-019-LL-E-AAB0			± 19		3		340			288	46
A-00-00400/00800-006-LL-E-AAB0	400	800	± 6	80	1	4277	200	565	965	1225	48
A-00-00400/00800-013-LL-E-AAB0			± 13		2		270			612	57
A-00-00400/00800-019-LL-E-AAB0			± 19		3		340			408	66
A-00-00500/00500-006-LL-E-AAB0	500	500	± 6	80	1	3390	200	665	665	1045	41
A-00-00500/00500-013-LL-E-AAB0			± 13		2		270			522	48
A-00-00500/00500-019-LL-E-AAB0			± 19		3		340			348	56
A-00-00500/00500-015-LL-E-AAB0	500	500	± 15	150	1	4175	270	805	805	195	70
A-00-00500/00500-030-LL-E-AAB0			± 30		2		375			98	84
A-00-00500/00500-045-LL-E-AAB0			± 45		3		480			65	98
A-00-00500/00500-020-LL-E-AAB0	500	500	± 20	200	1	4737	270	905	905	98	75
A-00-00500/00500-040-LL-E-AAB0			± 40		2		375			49	94
A-00-00500/00500-060-LL-E-AAB0			± 60		3		480			33	112
A-00-00500/01000-006-LL-E-AAB0	500	1000	± 6	80	1	6358	200	665	1165	1495	59
A-00-00500/01000-013-LL-E-AAB0			± 13		2		270			747	70
A-00-00500/01000-019-LL-E-AAB0			± 19		3		340			498	81
A-00-00500/01000-015-LL-E-AAB0	500	1000	± 15	150	1	7513	270	805	1305	270	100
A-00-00500/01000-030-LL-E-AAB0			± 30		2		375			135	120
A-00-00500/01000-045-LL-E-AAB0			± 45		3		480			90	139
A-00-00500/01000-020-LL-E-AAB0	500	1000	± 20	200	1	8325	270	905	1405	132	106
A-00-00500/01000-040-LL-E-AAB0			± 40		2		375			66	132
A-00-00500/01000-060-LL-E-AAB0			± 60		3		480			44	157

Axial, rectangular metallic expansion joint

Compensator Properties	Design Temperature	≤ 300 °C
	Design Pressure	100 mbar
	Bellow Material	1.0330
	Corner Type	Double Miter
	Connection	Angle Flange
	Connection Material	1.0038
Profile WH 80mm	L60x6	
Profile WH 150/200mm	L80x8	
Cycles	≥ 1000	



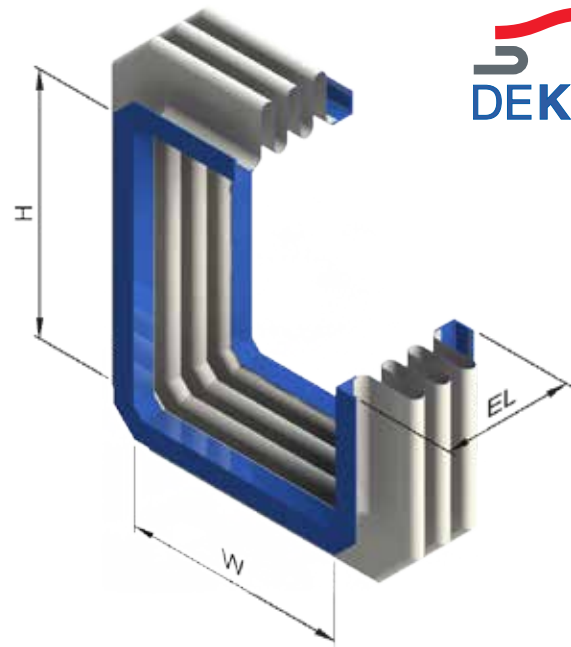
1 convolution



2 convolutions



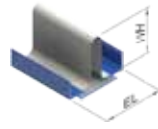
3 convolutions



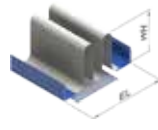
DEKOMTE Article Number	Clear Opening		Maximum Movement	Convolution Height WH	Number of Convolutions	Effective Area	Installation Length EL	Overall Dimension		Axial Adjustment Force	Weight
	Width W	Height H						Width	Height H		
	[mm]	[mm]						[mm]	[mm]		
A-00-00600/00600-006-LL-E-AAB0	600	600	± 6	80	1	4677	200	765	765	1225	48
A-00-00600/00600-013-LL-E-AAB0			± 13		2		270			612	57
A-00-00600/00600-019-LL-E-AAB0			± 19		3		340			408	66
A-00-00600/00600-015-LL-E-AAB0	600	600	± 15	150	1	5610	270	905	905	225	82
A-00-00600/00600-030-LL-E-AAB0			± 30		2		375			113	98
A-00-00600/00600-045-LL-E-AAB0			± 45		3		480			75	114
A-00-00600/00600-020-LL-E-AAB0	600	600	± 20	200	1	6272	270	1005	1005	111	87
A-00-00600/00600-040-LL-E-AAB0			± 40		2		375			56	109
A-00-00600/00600-060-LL-E-AAB0			± 60		3		480			37	130
A-00-00600/01200-006-LL-E-AAB0	600	1200	± 6	80	1	8838	200	765	1365	1765	70
A-00-00600/01200-013-LL-E-AAB0			± 13		2		270			883	83
A-00-00600/01200-019-LL-E-AAB0			± 19		3		340			588	96
A-00-00600/01200-015-LL-E-AAB0	600	1200	± 15	150	1	10215	270	905	1505	315	118
A-00-00600/01200-030-LL-E-AAB0			± 30		2		375			158	141
A-00-00600/01200-045-LL-E-AAB0			± 45		3		480			105	164
A-00-00600/01200-020-LL-E-AAB0	600	1200	± 20	200	1	11177	270	1005	1605	153	125
A-00-00600/01200-040-LL-E-AAB0			± 40		2		375			77	155
A-00-00600/01200-060-LL-E-AAB0			± 60		3		480			51	184
A-00-00700/00700-006-LL-E-AAB0	700	700	± 6	80	1	6164	200	865	865	1405	55
A-00-00700/00700-013-LL-E-AAB0			± 13		2		270			702	66
A-00-00700/00700-019-LL-E-AAB0			± 19		3		340			468	76
A-00-00700/00700-015-LL-E-AAB0	700	700	± 15	150	1	7245	270	1005	1005	255	94
A-00-00700/00700-030-LL-E-AAB0			± 30		2		375			128	112
A-00-00700/00700-045-LL-E-AAB0			± 45		3		480			85	131
A-00-00700/00700-020-LL-E-AAB0	700	700	± 20	200	1	8007	270	1105	1105	125	100
A-00-00700/00700-040-LL-E-AAB0			± 40		2		375			63	124
A-00-00700/00700-060-LL-E-AAB0			± 60		3		480			42	148
A-00-00700/01400-006-LL-E-AAB0	700	1400	± 6	80	1	11719	200	865	1565	2035	81
A-00-00700/01400-013-LL-E-AAB0			± 13		2		270			1018	96
A-00-00700/01400-019-LL-E-AAB0			± 19		3		340			678	111

Axial, rectangular metallic expansion joint

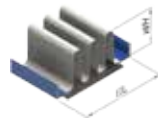
Compensator Properties	Design Temperature	≤ 300 °C
	Design Pressure	100 mbar
	Bellow Material	1.0330
	Corner Type	Double Miter
	Connection	Angle Flange
	Connection Material	1.0038
	Profile WH 80mm	L60x6
Profile WH 150/200mm	L80x8	
Cycles	≥ 1000	



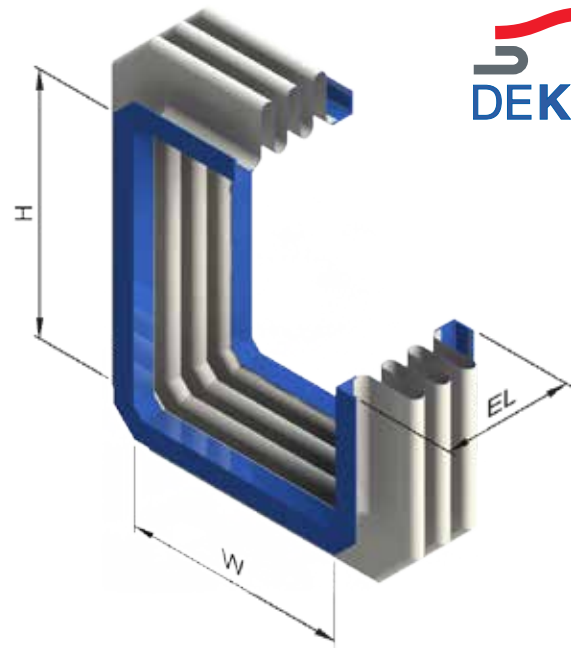
1 convolution



2 convolutions



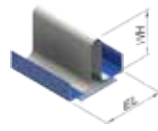
3 convolutions



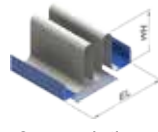
DEKOMTE Article Number	Clear Opening		Maximum Movement	Convolution Height WH	Number of Convolutions	Effective Area	Installation Length EL	Overall Dimension		Axial Adjustment Force	Weight
	Width W	Height H						Width	Height H		
	[mm]	[mm]						[mm]	[mm]		
A-00-00700/01400-015-LL-E-AAB0	700	1400	± 15	150	1	13318	270	1005	1705	360	136
A-00-00700/01400-030-LL-E-AAB0			± 30		2		375			180	162
A-00-00700/01400-045-LL-E-AAB0			± 45		3		480			120	188
A-00-00700/01400-020-LL-E-AAB0	700	1400	± 20	200	1	14430	270	1105	1805	174	144
A-00-00700/01400-040-LL-E-AAB0			± 40		2		375			87	178
A-00-00700/01400-060-LL-E-AAB0			± 60		3		480			58	211
A-00-00800/00800-006-LL-E-AAB0	800	800	± 6	80	1	7851	200	965	965	1585	63
A-00-00800/00800-013-LL-E-AAB0			± 13		2		270			792	74
A-00-00800/00800-019-LL-E-AAB0			± 19		3		340			528	86
A-00-00800/00800-015-LL-E-AAB0	800	800	± 15	150	1	9080	270	1105	1105	285	106
A-00-00800/00800-030-LL-E-AAB0			± 30		2		375			143	127
A-00-00800/00800-045-LL-E-AAB0			± 45		3		480			95	147
A-00-00800/00800-020-LL-E-AAB0	800	800	± 20	200	1	9942	270	1205	1205	139	112
A-00-00800/00800-040-LL-E-AAB0			± 40		2		375			70	139
A-00-00800/00800-060-LL-E-AAB0			± 60		3		480			46	166
A-00-00800/01600-006-LL-E-AAB0	800	1600	± 6	80	1	14999	200	965	1765	2305	92
A-00-00800/01600-013-LL-E-AAB0			± 13		2		270			1153	109
A-00-00800/01600-019-LL-E-AAB0			± 19		3		340			768	126
A-00-00800/01600-015-LL-E-AAB0	800	1600	± 15	150	1	16820	270	1105	1905	406	154
A-00-00800/01600-030-LL-E-AAB0			± 30		2		375			203	183
A-00-00800/01600-045-LL-E-AAB0			± 45		3		480			135	213
A-00-00800/01600-020-LL-E-AAB0	800	1600	± 20	200	1	18082	270	1205	2005	195	163
A-00-00800/01600-040-LL-E-AAB0			± 40		2		375			98	201
A-00-00800/01600-060-LL-E-AAB0			± 60		3		480			65	238
A-00-00900/00900-006-LL-E-AAB0	900	900	± 6	80	1	9738	200	1065	1065	1765	70
A-00-00900/00900-013-LL-E-AAB0			± 13		2		270			883	83
A-00-00900/00900-019-LL-E-AAB0			± 19		3		340			588	96
A-00-00900/00900-015-LL-E-AAB0	900	900	± 15	150	1	11115	270	1205	1205	315	118
A-00-00900/00900-030-LL-E-AAB0			± 30		2		375			158	141
A-00-00900/00900-045-LL-E-AAB0			± 45		3		480			105	164

Axial, rectangular metallic expansion joint

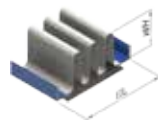
Compensator Properties	Design Temperature	≤ 300 °C
	Design Pressure	100 mbar
	Bellow Material	1.0330
	Corner Type	Double Miter
	Connection	Angle Flange
	Connection Material	1.0038
Profile WH 80mm	L60x6	
Profile WH 150/200mm	L80x8	
Cycles	≥ 1000	



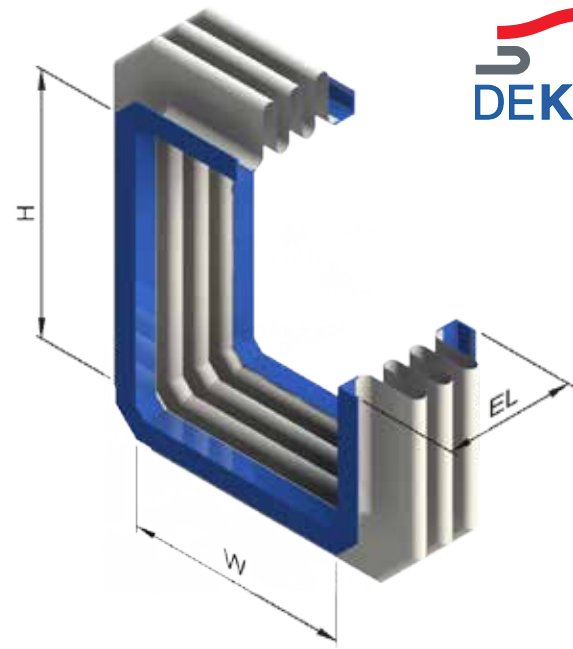
1 convolution



2 convolutions



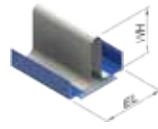
3 convolutions



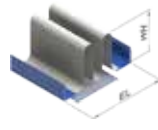
DEKOMTE Article Number	Clear Opening		Maximum Movement	Convolution Height WH	Number of Convolutions	Effective Area	Installation Length EL	Overall Dimension		Axial Adjustment Force	Weight
	Width W	Height H						Width	Height H		
	[mm]	[mm]						[mm]	[mm]		
A-00-00900/00900-020-LL-E-AAB0	900	900	± 20	200	1	12077	270	1305	1305	153	125
A-00-00900/00900-040-LL-E-AAB0			± 40		2		375			77	155
A-00-00900/00900-060-LL-E-AAB0			± 60		3		480			51	184
A-00-00900/01800-006-LL-E-AAB0	900	1800	± 6	80	1	18680	200	1065	1965	2576	103
A-00-00900/01800-013-LL-E-AAB0			± 13		2		270			1288	122
A-00-00900/01800-019-LL-E-AAB0			± 19		3		340			859	141
A-00-00900/01800-015-LL-E-AAB0	900	1800	± 15	150	1	20723	270	1205	2105	451	172
A-00-00900/01800-030-LL-E-AAB0			± 30		2		375			225	205
A-00-00900/01800-045-LL-E-AAB0			± 45		3		480			150	238
A-00-00900/01800-020-LL-E-AAB0	900	1800	± 20	200	1	22135	270	1305	2205	216	181
A-00-00900/01800-040-LL-E-AAB0			± 40		2		375			108	223
A-00-00900/01800-060-LL-E-AAB0			± 60		3		480			72	266
A-00-01000/01000-006-LL-E-AAB0	1000	1000	± 6	80	1	11825	200	1165	1165	1945	77
A-00-01000/01000-013-LL-E-AAB0			± 13		2		270			973	92
A-00-01000/01000-019-LL-E-AAB0			± 19		3		340			648	106
A-00-01000/01000-015-LL-E-AAB0	1000	1000	± 15	150	1	13350	270	1305	1305	345	130
A-00-01000/01000-030-LL-E-AAB0			± 30		2		375			173	155
A-00-01000/01000-045-LL-E-AAB0			± 45		3		480			115	180
A-00-01000/01000-020-LL-E-AAB0	1000	1000	± 20	200	1	14412	270	1405	1405	167	137
A-00-01000/01000-040-LL-E-AAB0			± 40		2		375			84	170
A-00-01000/01000-060-LL-E-AAB0			± 60		3		480			56	202
A-00-01000/02000-006-LL-E-AAB0	1000	2000	± 6	80	1	22760	200	1165	2165	2846	114
A-00-01000/02000-013-LL-E-AAB0			± 13		2		270			1423	135
A-00-01000/02000-019-LL-E-AAB0			± 19		3		340			949	157
A-00-01000/02000-015-LL-E-AAB0	1000	2000	± 15	150	1	25025	270	1305	2305	496	190
A-00-01000/02000-030-LL-E-AAB0			± 30		2		375			248	226
A-00-01000/02000-045-LL-E-AAB0			± 45		3		480			165	262
A-00-01000/02000-020-LL-E-AAB0	1000	2000	± 20	200	1	26587	270	1405	2405	237	200
A-00-01000/02000-040-LL-E-AAB0			± 40		2		375			118	246
A-00-01000/02000-060-LL-E-AAB0			± 60		3		480			79	293

Axial, rectangular metallic expansion joint

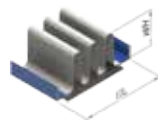
Compensator Properties	Design Temperature	≤ 300 °C
	Design Pressure	100 mbar
	Bellow Material	1.0330
	Corner Type	Double Miter
	Connection	Angle Flange
	Connection Material	1.0038
	Profile WH 80mm	L60x6
Profile WH 150/200mm	L80x8	
Cycles	≥ 1000	



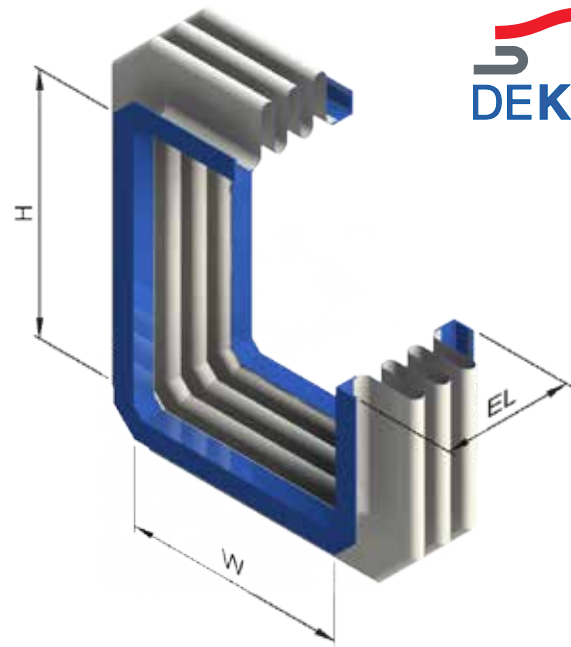
1 convolution



2 convolutions



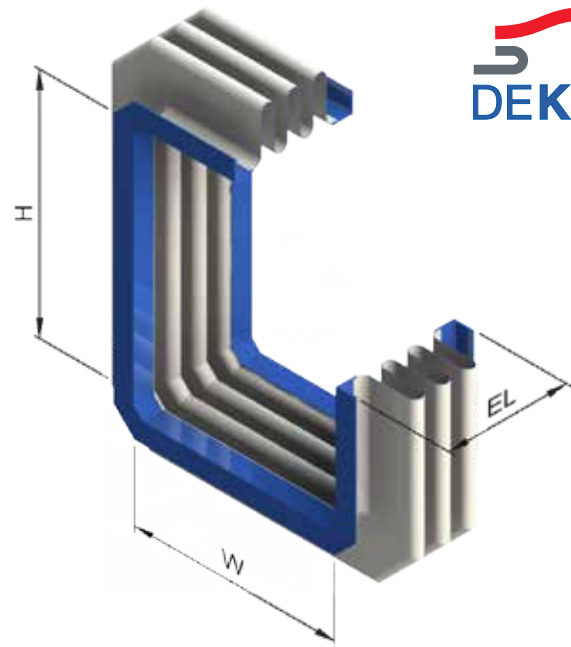
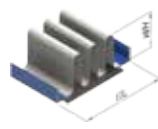
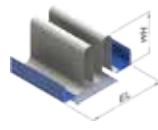
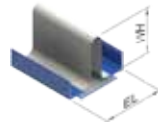
3 convolutions



DEKOMTE Article Number	Clear Opening		Maximum Movement	Convolution Height WH	Number of Convolutions	Effective Area	Installation Length EL	Overall Dimension		Axial Adjustment Force	Weight
	Width W	Height H						Width	Height H		
	[mm]	[mm]						[mm]	[mm]		
A-00-01200/01200-006-LL-E-AAB0	1200	1200	± 6	80	1	16599	200	1365	1365	2305	92
A-00-01200/01200-013-LL-E-AAB0			± 13		2		270			1153	109
A-00-01200/01200-019-LL-E-AAB0			± 19		3		340			768	126
A-00-01200/01200-015-LL-E-AAB0	1200	1200	± 15	150	1	18420	270	1505	1505	406	154
A-00-01200/01200-030-LL-E-AAB0			± 30		2		375			203	183
A-00-01200/01200-045-LL-E-AAB0			± 45		3		480			135	213
A-00-01200/01200-020-LL-E-AAB0	1200	1200	± 20	200	1	19682	270	1605	1605	195	163
A-00-01200/01200-040-LL-E-AAB0			± 40		2		375			98	201
A-00-01200/01200-060-LL-E-AAB0			± 60		3		480			65	238
A-00-01200/02400-006-LL-E-AAB0	1200	2400	± 6	80	1	32121	200	1365	2565	3386	136
A-00-01200/02400-013-LL-E-AAB0			± 13		2		270			1693	161
A-00-01200/02400-019-LL-E-AAB0			± 19		3		340			1129	187
A-00-01200/02400-015-LL-E-AAB0	1200	2400	± 15	150	1	34830	270	1505	2705	586	226
A-00-01200/02400-030-LL-E-AAB0			± 30		2		375			293	269
A-00-01200/02400-045-LL-E-AAB0			± 45		3		480			195	311
A-00-01200/02400-020-LL-E-AAB0	1200	2400	± 20	200	1	36692	270	1605	2805	279	238
A-00-01200/02400-040-LL-E-AAB0			± 40		2		375			139	292
A-00-01200/02400-060-LL-E-AAB0			± 60		3		480			93	347
A-00-01400/01400-006-LL-E-AAB0	1400	1400	± 6	80	1	22173	200	1565	1565	2666	107
A-00-01400/01400-013-LL-E-AAB0			± 13		2		270			1333	127
A-00-01400/01400-019-LL-E-AAB0			± 19		3		340			889	146
A-00-01400/01400-015-LL-E-AAB0	1400	1400	± 15	150	1	24290	270	1705	1705	466	178
A-00-01400/01400-030-LL-E-AAB0			± 30		2		375			233	212
A-00-01400/01400-045-LL-E-AAB0			± 45		3		480			155	246
A-00-01400/01400-020-LL-E-AAB0	1400	1400	± 20	200	1	25752	270	1805	1805	223	188
A-00-01400/01400-040-LL-E-AAB0			± 40		2		375			111	231
A-00-01400/01400-060-LL-E-AAB0			± 60		3		480			74	275
A-00-01400/02800-006-LL-E-AAB0	1400	2800	± 6	80	1	43082	200	1565	2965	3926	158
A-00-01400/02800-013-LL-E-AAB0			± 13		2		270			1963	187
A-00-01400/02800-019-LL-E-AAB0			± 19		3		340			1309	217

Axial, rectangular metallic expansion joint

Compensator Properties	Design Temperature	≤ 300 °C
	Design Pressure	100 mbar
	Bellow Material	1.0330
	Corner Type	Double Miter
	Connection	Angle Flange
	Connection Material	1.0038
Profile WH 80mm	L60x6	
Profile WH 150/200mm	L80x8	
Cycles	≥ 1000	

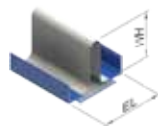


DEKOMTE Article Number	Clear Opening		Maximum Movement	Convolution Height WH	Number of Convolutions	Effective Area	Installation Length EL	Overall Dimension		Axial Adjustment Force	Weight
	Width W	Height H						Width	Height H		
	[mm]	[mm]						[mm]	[mm]		
A-00-01400/02800-015-LL-E-AAB0	1400	2800	± 15	150	1	46235	270	1705	3105	676	262
A-00-01400/02800-030-LL-E-AAB0			± 30		2		375			338	311
A-00-01400/02800-045-LL-E-AAB0			± 45		3		480			225	361
A-00-01400/02800-020-LL-E-AAB0	1400	2800	± 20	200	1	48397	270	1805	3205	320	275
A-00-01400/02800-040-LL-E-AAB0			± 40		2		375			160	338
A-00-01400/02800-060-LL-E-AAB0			± 60		3		480			107	401
A-00-01600/01600-006-LL-E-AAB0	1600	1600	± 6	80	1	28547	200	1765	1765	3026	121
A-00-01600/01600-013-LL-E-AAB0			± 13		2		270			1513	144
A-00-01600/01600-019-LL-E-AAB0			± 19		3		340			1009	167
A-00-01600/01600-015-LL-E-AAB0	1600	1600	± 15	150	1	30960	270	1905	1905	526	202
A-00-01600/01600-030-LL-E-AAB0			± 30		2		375			263	240
A-00-01600/01600-045-LL-E-AAB0			± 45		3		480			175	279
A-00-01600/01600-020-LL-E-AAB0	1600	1600	± 20	200	1	32622	270	2005	2005	251	213
A-00-01600/01600-040-LL-E-AAB0			± 40		2		375			125	262
A-00-01600/01600-060-LL-E-AAB0			± 60		3		480			84	311
A-00-01600/03200-006-LL-E-AAB0	1600	3200	± 6	80	1	55643	200	1765	3365	4467	180
A-00-01600/03200-013-LL-E-AAB0			± 13		2		270			2233	213
A-00-01600/03200-019-LL-E-AAB0			± 19		3		340			1489	247
A-00-01600/03200-015-LL-E-AAB0	1600	3200	± 15	150	1	59240	270	1905	3505	766	298
A-00-01600/03200-030-LL-E-AAB0			± 30		2		375			383	354
A-00-01600/03200-045-LL-E-AAB0			± 45		3		480			255	410
A-00-01600/03200-020-LL-E-AAB0	1600	3200	± 20	200	1	61702	270	2005	3605	362	313
A-00-01600/03200-040-LL-E-AAB0			± 40		2		375			181	384
A-00-01600/03200-060-LL-E-AAB0			± 60		3		480			121	455
A-00-01800/01800-006-LL-E-AAB0	1800	1800	± 6	80	1	35721	200	1965	1965	3386	136
A-00-01800/01800-013-LL-E-AAB0			± 13		2		270			1693	161
A-00-01800/01800-019-LL-E-AAB0			± 19		3		340			1129	187
A-00-01800/01800-015-LL-E-AAB0	1800	1800	± 15	150	1	38430	270	2105	2105	586	226
A-00-01800/01800-030-LL-E-AAB0			± 30		2		375			293	269
A-00-01800/01800-045-LL-E-AAB0			± 45		3		480			195	311

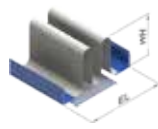
Axial, rectangular metallic expansion joint



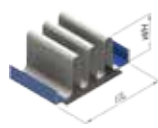
Compensator Properties	Design Temperature	≤ 300 °C
	Design Pressure	100 mbar
	Bellow Material	1.0330
	Corner Type	Double Miter
	Connection	Angle Flange
	Connection Material	1.0038
	Profile WH 80mm	L60x6
Profile WH 150/200mm	L80x8	
Cycles	≥ 1000	



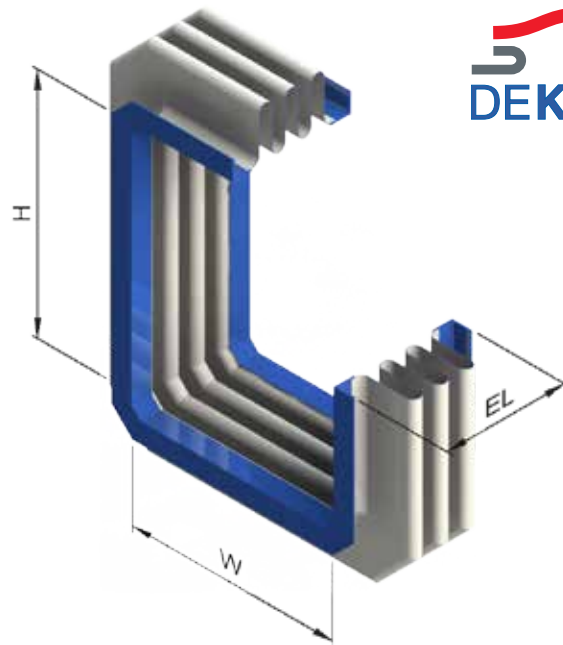
1 convolution



2 convolutions



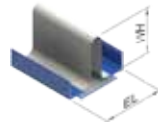
3 convolutions



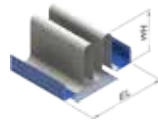
DEKOMTE Article Number	Clear Opening		Maximum Movement	Convolution Height WH	Number of Convolutions	Effective Area	Installation Length EL	Overall Dimension		Axial Adjustment Force	Weight
	Width W	Height H						Width	Height H		
	[mm]	[mm]						[mm]	[mm]		
A-00-01800/01800-020-LL-E-AAB0	1800	1800	± 20	200	1	40292	270	2205	2205	279	238
A-00-01800/01800-040-LL-E-AAB0			± 40		2		375			139	292
A-00-01800/01800-060-LL-E-AAB0			± 60		3		480			93	347
A-00-01800/03600-006-LL-E-AAB0	1800	3600	± 6	80	1	69804	200	1965	3765	5007	202
A-00-01800/03600-013-LL-E-AAB0			± 13		2		270			2504	240
A-00-01800/03600-019-LL-E-AAB0			± 19		3		340			1669	277
A-00-01800/03600-015-LL-E-AAB0	1800	3600	± 15	150	1	73845	270	2105	3905	856	334
A-00-01800/03600-030-LL-E-AAB0			± 30		2		375			428	396
A-00-01800/03600-045-LL-E-AAB0			± 45		3		480			285	459
A-00-01800/03600-020-LL-E-AAB0	1800	3600	± 20	200	1	76607	270	2205	4005	404	350
A-00-01800/03600-040-LL-E-AAB0			± 40		2		375			202	430
A-00-01800/03600-060-LL-E-AAB0			± 60		3		480			135	509
A-00-02000/02000-006-LL-E-AAB0	2000	2000	± 6	80	1	43695	200	2165	2165	3746	151
A-00-02000/02000-013-LL-E-AAB0			± 13		2		270			1873	179
A-00-02000/02000-019-LL-E-AAB0			± 19		3		340			1249	207
A-00-02000/02000-015-LL-E-AAB0	2000	2000	± 15	150	1	46700	270	2305	2305	646	250
A-00-02000/02000-030-LL-E-AAB0			± 30		2		375			323	297
A-00-02000/02000-045-LL-E-AAB0			± 45		3		480			215	344
A-00-02000/02000-020-LL-E-AAB0	2000	2000	± 20	200	1	48762	270	2405	2405	307	263
A-00-02000/02000-040-LL-E-AAB0			± 40		2		375			153	323
A-00-02000/02000-060-LL-E-AAB0			± 60		3		480			102	383
A-00-02000/04000-006-LL-E-AAB0	2000	4000	± 6	80	1	85565	200	2165	4165	5547	224
A-00-02000/04000-013-LL-E-AAB0			± 13		2		270			2774	266
A-00-02000/04000-019-LL-E-AAB0			± 19		3		340			1849	307
A-00-02000/04000-015-LL-E-AAB0	2000	4000	± 15	150	1	90050	270	2305	4305	946	370
A-00-02000/04000-030-LL-E-AAB0			± 30		2		375			473	439
A-00-02000/04000-045-LL-E-AAB0			± 45		3		480			315	508
A-00-02000/04000-020-LL-E-AAB0	2000	4000	± 20	200	1	93112	270	2405	4405	446	388
A-00-02000/04000-040-LL-E-AAB0			± 40		2		375			223	475
A-00-02000/04000-060-LL-E-AAB0			± 60		3		480			149	563

Axial, rectangular metallic expansion joint

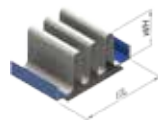
Compensator Properties	Design Temperature	≤ 300 °C
	Design Pressure	100 mbar
	Bellow Material	1.0330
	Corner Type	Double Miter
	Connection	Angle Flange
	Connection Material	1.0038
	Profile WH 80mm	L60x6
Profile WH 150/200mm	L80x8	
Cycles	≥ 1000	



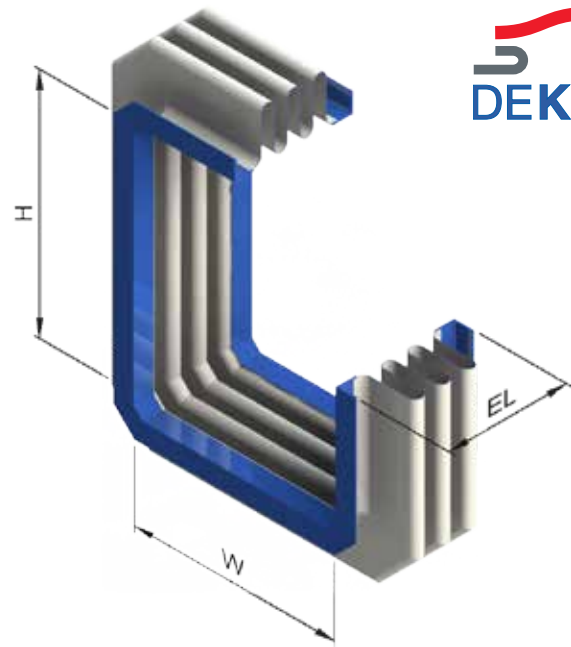
1 convolution



2 convolutions



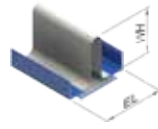
3 convolutions



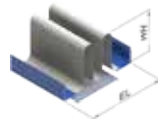
DEKOMTE Article Number	Clear Opening		Maximum Movement	Convolution Height WH	Number of Convolutions	Effective Area	Installation Length EL	Overall Dimension		Axial Adjustment Force	Weight
	Width W	Height H						Width	Height H		
	[mm]	[mm]						[mm]	[mm]		
A-00-02200/02200-015-LL-E-AAB0	2200	2200	± 15	150	1	55770	270	2505	2505	706	274
A-00-02200/02200-030-LL-E-AAB0			± 30		2		375			353	325
A-00-02200/02200-045-LL-E-AAB0			± 45		3		480			235	377
A-00-02200/02200-020-LL-E-AAB0	2200	2200	± 20	200	1	58032	270	2605	2605	334	288
A-00-02200/02200-040-LL-E-AAB0			± 40		2		375			167	353
A-00-02200/02200-060-LL-E-AAB0			± 60		3		480			111	419
A-00-02200/04400-015-LL-E-AAB0	2200	4400	± 15	150	1	107855	270	2505	4705	1036	406
A-00-02200/04400-030-LL-E-AAB0			± 30		2		375			518	481
A-00-02200/04400-045-LL-E-AAB0			± 45		3		480			345	557
A-00-02200/04400-020-LL-E-AAB0	2200	4400	± 20	200	1	111217	270	2605	4805	488	425
A-00-02200/04400-040-LL-E-AAB0			± 40		2		375			244	521
A-00-02200/04400-060-LL-E-AAB0			± 60		3		480			163	617
A-00-02400/02400-015-LL-E-AAB0	2400	2400	± 15	150	1	65640	270	2705	2705	766	298
A-00-02400/02400-030-LL-E-AAB0			± 30		2		375			383	354
A-00-02400/02400-045-LL-E-AAB0			± 45		3		480			255	410
A-00-02400/02400-020-LL-E-AAB0	2400	2400	± 20	200	1	68102	270	2805	2805	362	313
A-00-02400/02400-040-LL-E-AAB0			± 40		2		375			181	384
A-00-02400/02400-060-LL-E-AAB0			± 60		3		480			121	455
A-00-02400/04800-015-LL-E-AAB0	2400	4800	± 15	150	1	127260	270	2705	5105	1127	441
A-00-02400/04800-030-LL-E-AAB0			± 30		2		375			563	524
A-00-02400/04800-045-LL-E-AAB0			± 45		3		480			376	607
A-00-02400/04800-020-LL-E-AAB0	2400	4800	± 20	200	1	130922	270	2805	5205	529	463
A-00-02400/04800-040-LL-E-AAB0			± 40		2		375			265	567
A-00-02400/04800-060-LL-E-AAB0			± 60		3		480			176	671
A-00-02600/02600-015-LL-E-AAB0	2600	2600	± 15	150	1	76310	270	2905	2905	826	322
A-00-02600/02600-030-LL-E-AAB0			± 30		2		375			413	382
A-00-02600/02600-045-LL-E-AAB0			± 45		3		480			275	443
A-00-02600/02600-020-LL-E-AAB0	2600	2600	± 20	200	1	78972	270	3005	3005	390	338
A-00-02600/02600-040-LL-E-AAB0			± 40		2		375			195	414
A-00-02600/02600-060-LL-E-AAB0			± 60		3		480			130	491

Axial, rectangular metallic expansion joint

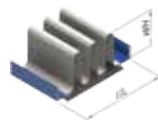
Compensator Properties	Design Temperature	≤ 300 °C
	Design Pressure	100 mbar
	Bellow Material	1.0330
	Corner Type	Double Miter
	Connection	Angle Flange
	Connection Material	1.0038
Profile WH 80mm	L60x6	
Profile WH 150/200mm	L80x8	
Cycles	≥ 1000	



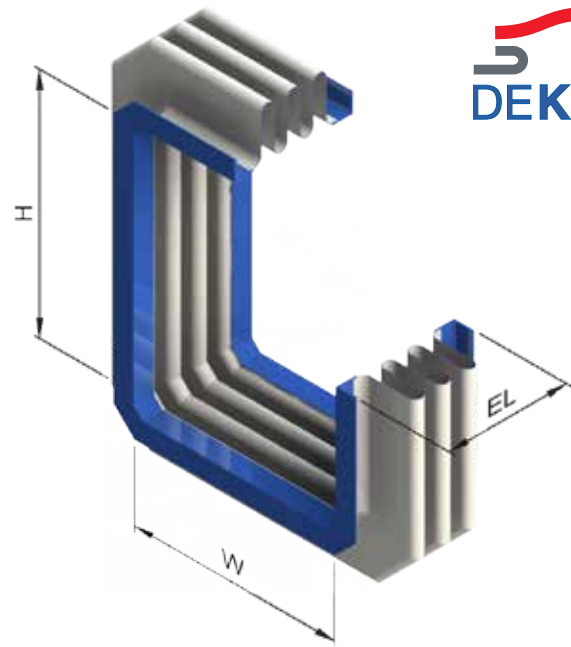
1 convolution



2 convolutions



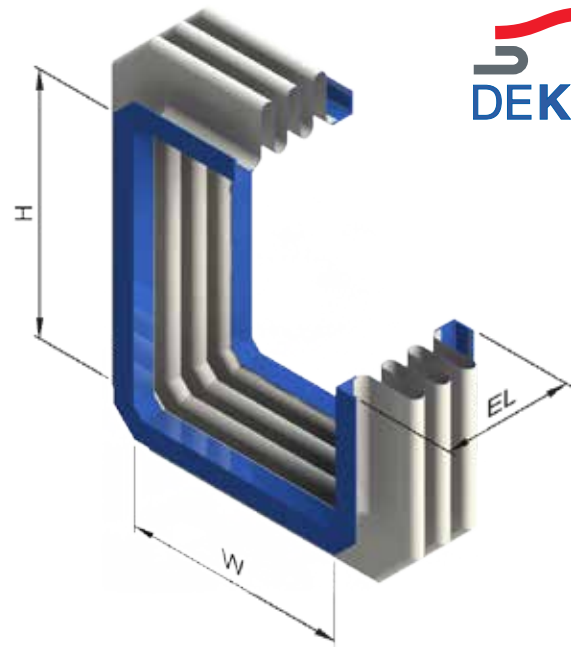
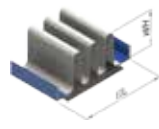
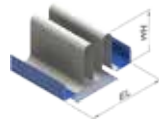
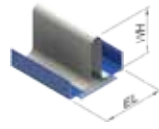
3 convolutions



DEKOMTE Article Number	Clear Opening		Maximum Movement	Convolution Height WH	Number of Convolutions	Effective Area	Installation Length EL	Overall Dimension		Axial Adjustment Force	Weight
	Width W	Height H						Width	Height H		
	[mm]	[mm]						[mm]	[mm]		
A-00-02600/05200-015-LL-E-AAB0	2600	5200	± 15	150	1	148265	270	2905	5505	1217	477
A-00-02600/05200-030-LL-E-AAB0			± 30		2		375			608	567
A-00-02600/05200-045-LL-E-AAB0			± 45		3		480			406	656
A-00-02600/05200-020-LL-E-AAB0	2600	5200	± 20	200	1	152227	270	3005	5605	571	501
A-00-02600/05200-040-LL-E-AAB0			± 40		2		375			286	613
A-00-02600/05200-060-LL-E-AAB0			± 60		3		480			190	725
A-00-02800/02800-015-LL-E-AAB0	2800	2800	± 15	150	1	87780	270	3105	3105	886	346
A-00-02800/02800-030-LL-E-AAB0			± 30		2		375			443	411
A-00-02800/02800-045-LL-E-AAB0			± 45		3		480			295	475
A-00-02800/02800-020-LL-E-AAB0	2800	2800	± 20	200	1	90642	270	3205	3205	418	363
A-00-02800/02800-040-LL-E-AAB0			± 40		2		375			209	445
A-00-02800/02800-060-LL-E-AAB0			± 60		3		480			139	527
A-00-02800/05600-015-LL-E-AAB0	2800	5600	± 15	150	1	170870	270	3105	5905	1307	513
A-00-02800/05600-030-LL-E-AAB0			± 30		2		375			653	609
A-00-02800/05600-045-LL-E-AAB0			± 45		3		480			436	705
A-00-02800/05600-020-LL-E-AAB0	2800	5600	± 20	200	1	175132	270	3205	6005	613	538
A-00-02800/05600-040-LL-E-AAB0			± 40		2		375			307	659
A-00-02800/05600-060-LL-E-AAB0			± 60		3		480			204	779
A-00-03000/03000-015-LL-E-AAB0	3000	3000	± 15	150	1	100050	270	3305	3305	946	370
A-00-03000/03000-030-LL-E-AAB0			± 30		2		375			473	439
A-00-03000/03000-045-LL-E-AAB0			± 45		3		480			315	508
A-00-03000/03000-020-LL-E-AAB0	3000	3000	± 20	200	1	103112	270	3405	3405	446	388
A-00-03000/03000-040-LL-E-AAB0			± 40		2		375			223	475
A-00-03000/03000-060-LL-E-AAB0			± 60		3		480			149	563
A-00-03000/06000-015-LL-E-AAB0	3000	6000	± 15	150	1	195075	270	3305	6305	1397	549
A-00-03000/06000-030-LL-E-AAB0			± 30		2		375			698	652
A-00-03000/06000-045-LL-E-AAB0			± 45		3		480			466	754
A-00-03000/06000-020-LL-E-AAB0	3000	6000	± 20	200	1	199637	270	3405	6405	655	576
A-00-03000/06000-040-LL-E-AAB0			± 40		2		375			327	704
A-00-03000/06000-060-LL-E-AAB0			± 60		3		480			218	833

Axial, rectangular metallic expansion joint

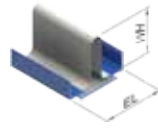
Compensator Properties	Design Temperature	≤ 300 °C
	Design Pressure	100 mbar
	Bellow Material	1.0330
	Corner Type	Double Miter
	Connection	Angle Flange
	Connection Material	1.0038
	Profile WH 80mm	L60x6
Profile WH 150/200mm	L80x8	
Cycles	≥ 1000	



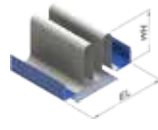
DEKOMTE Article Number	Clear Opening		Maximum Movement	Convolution Height WH	Number of Convolutions	Effective Area	Installation Length EL	Overall Dimension		Axial Adjustment Force	Weight
	Width W	Height H						Width	Height H		
	[mm]	[mm]						[mm]	[mm]		
A-00-03500/03500-015-LL-E-AAB0	3500	3500	± 15	150	1	134225	270	3805	3805	1096	429
A-00-03500/03500-030-LL-E-AAB0			± 30		2		375			548	510
A-00-03500/03500-045-LL-E-AAB0			± 45		3		480			365	590
A-00-03500/03500-020-LL-E-AAB0	3500	3500	± 20	200	1	137787	270	3905	3905	516	450
A-00-03500/03500-040-LL-E-AAB0			± 40		2		375			258	552
A-00-03500/03500-060-LL-E-AAB0			± 60		3		480			172	653
A-00-03500/07000-015-LL-E-AAB0	3500	7000	± 15	150	1	262588	270	3805	7305	1622	639
A-00-03500/07000-030-LL-E-AAB0			± 30		2		375			811	758
A-00-03500/07000-045-LL-E-AAB0			± 45		3		480			541	877
A-00-03500/07000-020-LL-E-AAB0	3500	7000	± 20	200	1	267900	270	3905	7405	759	670
A-00-03500/07000-040-LL-E-AAB0			± 40		2		375			380	819
A-00-03500/07000-060-LL-E-AAB0			± 60		3		480			253	968
A-00-04000/04000-015-LL-E-AAB0	4000	4000	± 15	150	1	173400	270	4305	4305	1247	489
A-00-04000/04000-030-LL-E-AAB0			± 30		2		375			623	581
A-00-04000/04000-045-LL-E-AAB0			± 45		3		480			416	672
A-00-04000/04000-020-LL-E-AAB0	4000	4000	± 20	200	1	177462	270	4405	4405	585	513
A-00-04000/04000-040-LL-E-AAB0			± 40		2		375			293	628
A-00-04000/04000-060-LL-E-AAB0			± 60		3		480			195	743
A-00-04000/08000-015-LL-E-AAB0	4000	8000	± 15	150	1	340100	270	4305	8305	1848	729
A-00-04000/08000-030-LL-E-AAB0			± 30		2		375			924	865
A-00-04000/08000-045-LL-E-AAB0			± 45		3		480			616	1000
A-00-04000/08000-020-LL-E-AAB0	4000	8000	± 20	200	1	346162	270	4405	8405	864	763
A-00-04000/08000-040-LL-E-AAB0			± 40		2		375			432	933
A-00-04000/08000-060-LL-E-AAB0			± 60		3		480			288	1103
A-00-04500/04500-015-LL-E-AAB0	4500	4500	± 15	150	1	217575	270	4805	4805	1397	549
A-00-04500/04500-030-LL-E-AAB0			± 30		2		375			698	652
A-00-04500/04500-045-LL-E-AAB0			± 45		3		480			466	754
A-00-04500/04500-020-LL-E-AAB0	4500	4500	± 20	200	1	222137	270	4905	4905	655	576
A-00-04500/04500-040-LL-E-AAB0			± 40		2		375			327	704
A-00-04500/04500-060-LL-E-AAB0			± 60		3		480			218	833

Axial, rectangular metallic expansion joint

Compensator Properties	Design Temperature	≤ 300 °C
	Design Pressure	100 mbar
	Bellow Material	1.0330
	Corner Type	Double Miter
	Connection	Angle Flange
	Connection Material	1.0038
	Profile WH 80mm	L60x6
Profile WH 150/200mm	L80x8	
Cycles	≥ 1000	



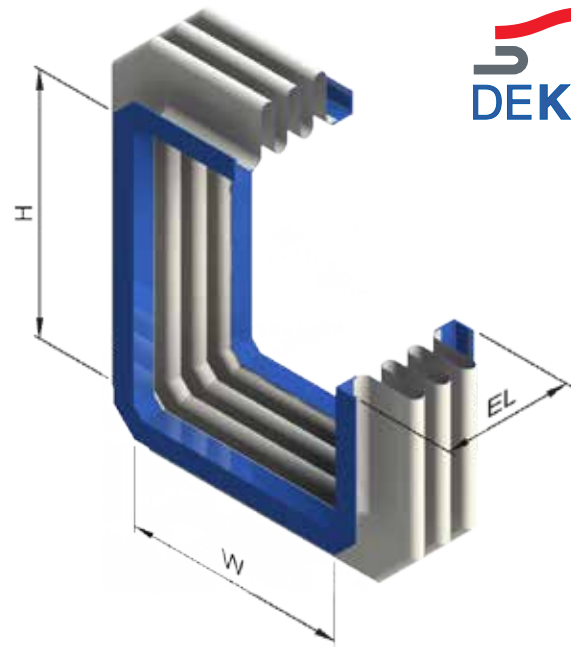
1 convolution



2 convolutions



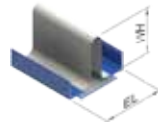
3 convolutions



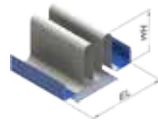
DEKOMTE Article Number	Clear Opening		Maximum Movement	Convolution Height WH	Number of Convolutions	Effective Area	Installation Length EL	Overall Dimension		Axial Adjustment Force	Weight
	Width W	Height H						Width	Height H		
	[mm]	[mm]						[mm]	[mm]		
A-00-04500/09000-015-LL-E-AAB0	4500	9000	± 15	150	1	427613	270	4805	9305	2073	819
A-00-04500/09000-030-LL-E-AAB0			± 30		2		375			1036	971
A-00-04500/09000-045-LL-E-AAB0			± 45		3		480			691	1124
A-00-04500/09000-020-LL-E-AAB0	4500	9000	± 20	200	1	434425	270	4905	9405	968	857
A-00-04500/09000-040-LL-E-AAB0			± 40		2		375			484	1048
A-00-04500/09000-060-LL-E-AAB0			± 60		3		480			323	1239
A-00-05000/05000-015-LL-E-AAB0	5000	5000	± 15	150	1	266750	270	5305	5305	1547	609
A-00-05000/05000-030-LL-E-AAB0			± 30		2		375			774	723
A-00-05000/05000-045-LL-E-AAB0			± 45		3		480			516	836
A-00-05000/05000-020-LL-E-AAB0	5000	5000	± 20	200	1	271812	270	5405	5405	725	638
A-00-05000/05000-040-LL-E-AAB0			± 40		2		375			362	781
A-00-05000/05000-060-LL-E-AAB0			± 60		3		480			242	923
A-00-05000/10000-015-LL-E-AAB0	5000	10000	± 15	150	1	525125	270	5305	10305	2298	909
A-00-05000/10000-030-LL-E-AAB0			± 30		2		375			1149	1078
A-00-05000/10000-045-LL-E-AAB0			± 45		3		480			766	1247
A-00-05000/10000-020-LL-E-AAB0	5000	10000	± 20	200	1	532687	270	5405	10405	1073	951
A-00-05000/10000-040-LL-E-AAB0			± 40		2		375			536	1162
A-00-05000/10000-060-LL-E-AAB0			± 60		3		480			358	1374
A-00-05500/05500-015-LL-E-AAB0	5500	5500	± 15	150	1	320925	270	5805	5805	1697	669
A-00-05500/05500-030-LL-E-AAB0			± 30		2		375			849	794
A-00-05500/05500-045-LL-E-AAB0			± 45		3		480			566	918
A-00-05500/05500-020-LL-E-AAB0	5500	5500	± 20	200	1	326487	270	5905	5905	794	701
A-00-05500/05500-040-LL-E-AAB0			± 40		2		375			397	857
A-00-05500/05500-060-LL-E-AAB0			± 60		3		480			265	1013
A-00-05500/11000-015-LL-E-AAB0	5500	11000	± 15	150	1	632638	270	5805	11305	2523	999
A-00-05500/11000-030-LL-E-AAB0			± 30		2		375			1262	1184
A-00-05500/11000-045-LL-E-AAB0			± 45		3		480			841	1370
A-00-05500/11000-020-LL-E-AAB0	5500	11000	± 20	200	1	640950	270	5905	11405	1177	1045
A-00-05500/11000-040-LL-E-AAB0			± 40		2		375			589	1277
A-00-05500/11000-060-LL-E-AAB0			± 60		3		480			392	1509

Axial, rectangular metallic expansion joint

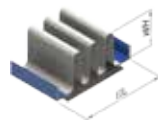
Compensator Properties	Design Temperature	≤ 300 °C
	Design Pressure	100 mbar
	Bellow Material	1.0330
	Corner Type	Double Miter
	Connection	Angle Flange
	Connection Material	1.0038
Profile WH 80mm	L60x6	
Profile WH 150/200mm	L80x8	
Cycles	≥ 1000	



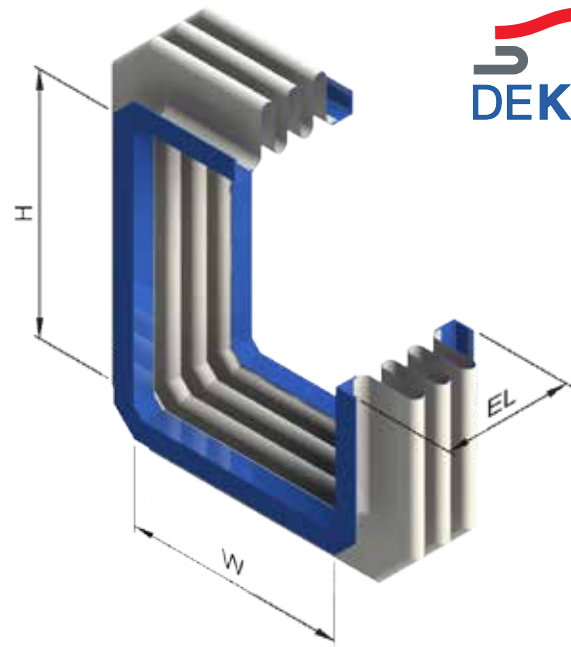
1 convolution



2 convolutions



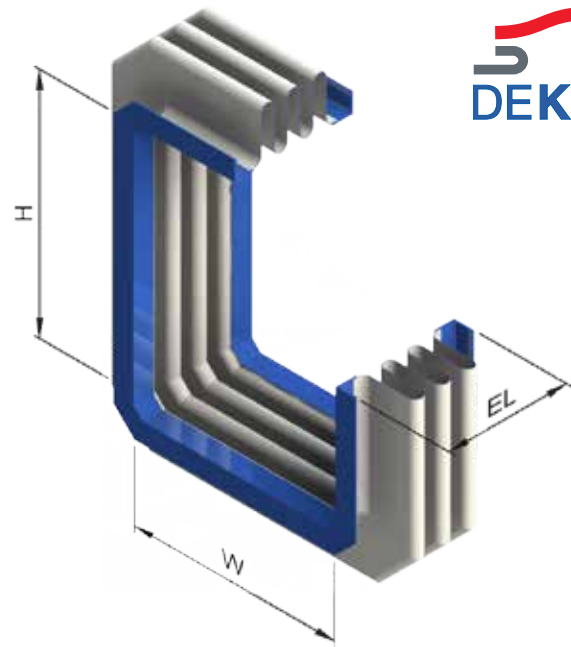
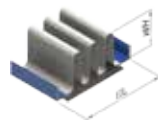
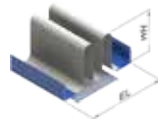
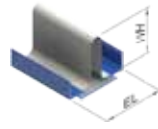
3 convolutions



DEKOMTE Article Number	Clear Opening		Maximum Movement	Convolution Height WH	Number of Convolutions	Effective Area	Installation Length EL	Overall Dimension		Axial Adjustment Force	Weight
	Width W	Height H						Width	Height H		
	[mm]	[mm]						[mm]	[mm]		
A-00-06000/06000-015-LL-E-AAB0	6000	6000	± 15	150	1	380100	270	6305	6305	1848	729
A-00-06000/06000-030-LL-E-AAB0			± 30		2		375			924	865
A-00-06000/06000-045-LL-E-AAB0			± 45		3		480			616	1000
A-00-06000/06000-020-LL-E-AAB0	6000	6000	± 20	200	1	386162	270	6405	6405	864	763
A-00-06000/06000-040-LL-E-AAB0			± 40		2		375			432	933
A-00-06000/06000-060-LL-E-AAB0			± 60		3		480			288	1103
A-00-06000/12000-015-LL-E-AAB0	6000	12000	± 15	150	1	750150	270	6305	12305	2749	1088
A-00-06000/12000-030-LL-E-AAB0			± 30		2		375			1374	1291
A-00-06000/12000-045-LL-E-AAB0			± 45		3		480			916	1493
A-00-06000/12000-020-LL-E-AAB0	6000	12000	± 20	200	1	759212	270	6405	12405	1282	1139
A-00-06000/12000-040-LL-E-AAB0			± 40		2		375			641	1392
A-00-06000/12000-060-LL-E-AAB0			± 60		3		480			427	1644
A-00-06500/06500-015-LL-E-AAB0	6500	6500	± 15	150	1	444275	270	6805	6805	1998	789
A-00-06500/06500-030-LL-E-AAB0			± 30		2		375			999	936
A-00-06500/06500-045-LL-E-AAB0			± 45		3		480			666	1083
A-00-06500/06500-020-LL-E-AAB0	6500	6500	± 20	200	1	450837	270	6905	6905	934	826
A-00-06500/06500-040-LL-E-AAB0			± 40		2		375			467	1010
A-00-06500/06500-060-LL-E-AAB0			± 60		3		480			311	1194
A-00-06500/13000-015-LL-E-AAB0	6500	13000	± 15	150	1	877663	270	6805	13305	2974	1178
A-00-06500/13000-030-LL-E-AAB0			± 30		2		375			1487	1397
A-00-06500/13000-045-LL-E-AAB0			± 45		3		480			991	1616
A-00-06500/13000-020-LL-E-AAB0	6500	13000	± 20	200	1	887475	270	6905	13405	1386	1233
A-00-06500/13000-040-LL-E-AAB0			± 40		2		375			693	1506
A-00-06500/13000-060-LL-E-AAB0			± 60		3		480			462	1779
A-00-07000/07000-015-LL-E-AAB0	7000	7000	± 15	150	1	513450	270	7305	7305	2148	849
A-00-07000/07000-030-LL-E-AAB0			± 30		2		375			1074	1007
A-00-07000/07000-045-LL-E-AAB0			± 45		3		480			716	1165
A-00-07000/07000-020-LL-E-AAB0	7000	7000	± 20	200	1	520512	270	7405	7405	1003	889
A-00-07000/07000-040-LL-E-AAB0			± 40		2		375			502	1086
A-00-07000/07000-060-LL-E-AAB0			± 60		3		480			334	1284

Axial, rectangular metallic expansion joint

Compensator Properties	Design Temperature	≤ 300 °C
	Design Pressure	100 mbar
	Bellow Material	1.0330
	Corner Type	Double Miter
	Connection	Angle Flange
	Connection Material	1.0038
	Profile WH 80mm	L60x6
Profile WH 150/200mm	L80x8	
Cycles	≥ 1000	

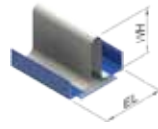


DEKOMTE Article Number	Clear Opening		Maximum Movement	Convolution Height WH	Number of Convolutions	Effective Area	Installation Length EL	Overall Dimension		Axial Adjustment Force	Weight
	Width W	Height H						Width	Height H		
	[mm]	[mm]						[mm]	[mm]		
A-00-07000/14000-015-LL-E-AAB0	7000	14000	± 15	150	1	1015175	270	7305	14305	3199	1268
A-00-07000/14000-030-LL-E-AAB0			± 30		2		375			1600	1503
A-00-07000/14000-045-LL-E-AAB0			± 45		3		480			1066	1739
A-00-07000/14000-020-LL-E-AAB0	7000	14000	± 20	200	1	1025737	270	7405	14405	1491	1327
A-00-07000/14000-040-LL-E-AAB0			± 40		2		375			745	1621
A-00-07000/14000-060-LL-E-AAB0			± 60		3		480			497	1914
A-00-07500/7500-015-LL-E-AAB0	7500	7500	± 15	150	1	587625	270	7805	7805	2298	909
A-00-07500/7500-030-LL-E-AAB0			± 30		2		375			1149	1078
A-00-07500/7500-045-LL-E-AAB0			± 45		3		480			766	1247
A-00-07500/7500-020-LL-E-AAB0	7500	7500	± 20	200	1	595187	270	7905	7905	1073	951
A-00-07500/7500-040-LL-E-AAB0			± 40		2		375			536	1162
A-00-07500/7500-060-LL-E-AAB0			± 60		3		480			358	1374
A-00-07500/15000-015-LL-E-AAB0	7500	15000	± 15	150	1	1162688	270	7805	15305	3425	1358
A-00-07500/15000-030-LL-E-AAB0			± 30		2		375			1712	1610
A-00-07500/15000-045-LL-E-AAB0			± 45		3		480			1142	1862
A-00-07500/15000-020-LL-E-AAB0	7500	15000	± 20	200	1	1174000	270	7905	15405	1595	1421
A-00-07500/15000-040-LL-E-AAB0			± 40		2		375			798	1735
A-00-07500/15000-060-LL-E-AAB0			± 60		3		480			532	2050
A-00-08000/8000-015-LL-E-AAB0	8000	8000	± 15	150	1	666800	270	8305	8305	2448	969
A-00-08000/8000-030-LL-E-AAB0			± 30		2		375			1224	1149
A-00-08000/8000-045-LL-E-AAB0			± 45		3		480			816	1329
A-00-08000/8000-020-LL-E-AAB0	8000	8000	± 20	200	1	674862	270	8405	8405	1143	1014
A-00-08000/8000-040-LL-E-AAB0			± 40		2		375			571	1239
A-00-08000/8000-060-LL-E-AAB0			± 60		3		480			381	1464
A-00-08000/16000-015-LL-E-AAB0	8000	16000	± 15	150	1	1320200	270	8305	16305	3650	1448
A-00-08000/16000-030-LL-E-AAB0			± 30		2		375			1825	1716
A-00-08000/16000-045-LL-E-AAB0			± 45		3		480			1217	1985
A-00-08000/16000-020-LL-E-AAB0	8000	16000	± 20	200	1	1332262	270	8405	16405	1700	1514
A-00-08000/16000-040-LL-E-AAB0			± 40		2		375			850	1850
A-00-08000/16000-060-LL-E-AAB0			± 60		3		480			567	2185

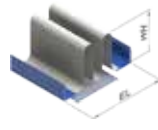
Axial, rectangular metallic expansion joint



Compensator Properties	Design Temperature	≤ 300 °C
	Design Pressure	100 mbar
	Bellow Material	1.0330
	Corner Type	Double Miter
	Connection	Angle Flange
	Connection Material	1.0038
	Profile WH 80mm	L60x6
Profile WH 150/200mm	L80x8	
Cycles	≥ 1000	



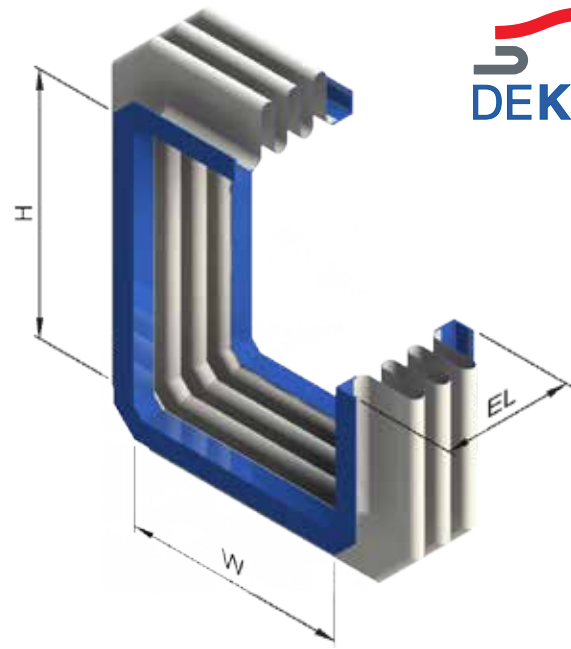
1 convolution



2 convolutions



3 convolutions

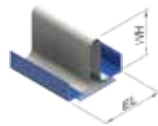


DEKOMTE Article Number	Clear Opening		Maximum Movement	Convolution Height WH	Number of Convolutions	Effective Area	Installation Length EL	Overall Dimension		Axial Adjustment Force	Weight
	Width W	Height H						Width	Height H		
	[mm]	[mm]						[mm]	[mm]		
A-00-08500/08500-015-LL-E-AAB0	8500	8500	± 15	150	1	750975	270	8805	8805	2599	1028
A-00-08500/08500-030-LL-E-AAB0			± 30		2		375			1299	1220
A-00-08500/08500-045-LL-E-AAB0			± 45		3		480			866	1411
A-00-08500/08500-020-LL-E-AAB0	8500	8500	± 20	200	1	759537	270	8905	8905	1212	1076
A-00-08500/08500-040-LL-E-AAB0			± 40		2		375			606	1315
A-00-08500/08500-060-LL-E-AAB0			± 60		3		480			404	1554
A-00-08500/17000-015-LL-E-AAB0	8500	17000	± 15	150	1	1487713	270	8805	17305	3875	1538
A-00-08500/17000-030-LL-E-AAB0			± 30		2		375			1938	1823
A-00-08500/17000-045-LL-E-AAB0			± 45		3		480			1292	2108
A-00-08500/17000-020-LL-E-AAB0	8500	17000	± 20	200	1	1500525	270	8905	17405	1804	1608
A-00-08500/17000-040-LL-E-AAB0			± 40		2		375			902	1964
A-00-08500/17000-060-LL-E-AAB0			± 60		3		480			601	2320
A-00-09000/09000-015-LL-E-AAB0	9000	9000	± 15	150	1	840150	270	9305	9305	2749	1088
A-00-09000/09000-030-LL-E-AAB0			± 30		2		375			1374	1291
A-00-09000/09000-045-LL-E-AAB0			± 45		3		480			916	1493
A-00-09000/09000-020-LL-E-AAB0	9000	9000	± 20	200	1	849212	270	9405	9405	1282	1139
A-00-09000/09000-040-LL-E-AAB0			± 40		2		375			641	1392
A-00-09000/09000-060-LL-E-AAB0			± 60		3		480			427	1644
A-00-09000/18000-015-LL-E-AAB0	9000	18000	± 15	150	1	1665225	270	9305	18305	4101	1627
A-00-09000/18000-030-LL-E-AAB0			± 30		2		375			2050	1929
A-00-09000/18000-045-LL-E-AAB0			± 45		3		480			1367	2231
A-00-09000/18000-020-LL-E-AAB0	9000	18000	± 20	200	1	1678787	270	9405	18405	1909	1702
A-00-09000/18000-040-LL-E-AAB0			± 40		2		375			954	2079
A-00-09000/18000-060-LL-E-AAB0			± 60		3		480			636	2455
A-00-09500/09500-015-LL-E-AAB0	9500	9500	± 15	150	1	934325	270	9805	9805	2899	1148
A-00-09500/09500-030-LL-E-AAB0			± 30		2		375			1449	1362
A-00-09500/09500-045-LL-E-AAB0			± 45		3		480			966	1575
A-00-09500/09500-020-LL-E-AAB0	9500	9500	± 20	200	1	943887	270	9905	9905	1352	1202
A-00-09500/09500-040-LL-E-AAB0			± 40		2		375			676	1468
A-00-09500/09500-060-LL-E-AAB0			± 60		3		480			451	1734

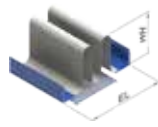
Axial, rectangular metallic expansion joint



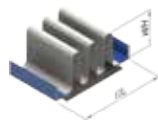
Compensator Properties	Design Temperature	≤ 300 °C
	Design Pressure	100 mbar
	Bellow Material	1.0330
	Corner Type	Double Miter
	Connection	Angle Flange
	Connection Material	1.0038
	Profile WH 80mm	L60x6
	Profile WH 150/200mm	L80x8
	Cycles	≥ 1000



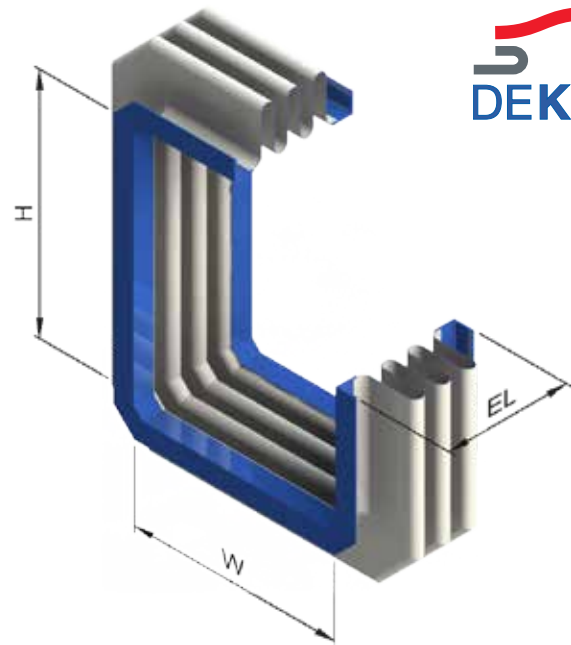
1 convolution



2 convolutions



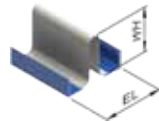
3 convolutions



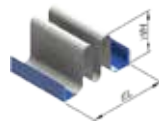
DEKOMTE Article Number	Clear Opening		Maximum Movement	Convolution Height WH	Number of Convolutions	Effective Area	Installation Length EL	Overall Dimension		Axial Adjustment Force	Weight
	Width W	Height H						Width	Height H		
	[mm]	[mm]						[mm]	[mm]		
A-00-09500/19000-015-LL-E-AAB0	9500	19000	± 15	150	1	1852738	270	9805	19305	4326	1717
A-00-09500/19000-030-LL-E-AAB0			± 30		2		375			2163	2036
A-00-09500/19000-045-LL-E-AAB0			± 45		3		480			1442	2354
A-00-09500/19000-020-LL-E-AAB0	9500	19000	± 20	200	1	1867050	270	9905	19405	2013	1796
A-00-09500/19000-040-LL-E-AAB0			± 40		2		375			1007	2193
A-00-09500/19000-060-LL-E-AAB0			± 60		3		480			671	2590
A-00-10000/10000-015-LL-E-AAB0	10000	10000	± 15	150	1	1033500	270	10305	10305	3049	1208
A-00-10000/10000-030-LL-E-AAB0			± 30		2		375			1525	1432
A-00-10000/10000-045-LL-E-AAB0			± 45		3		480			1016	1657
A-00-10000/10000-020-LL-E-AAB0	10000	10000	± 20	200	1	1043562	270	10405	10405	1421	1264
A-00-10000/10000-040-LL-E-AAB0			± 40		2		375			711	1544
A-00-10000/10000-060-LL-E-AAB0			± 60		3		480			474	1824
A-00-10000/20000-015-LL-E-AAB0	10000	20000	± 15	150	1	2050250	270	10305	20305	4551	1807
A-00-10000/20000-030-LL-E-AAB0			± 30		2		375			2276	2142
A-00-10000/20000-045-LL-E-AAB0			± 45		3		480			1517	2477
A-00-10000/20000-020-LL-E-AAB0	10000	20000	± 20	200	1	2065312	270	10405	20405	2118	1890
A-00-10000/20000-040-LL-E-AAB0			± 40		2		375			1059	2308
A-00-10000/20000-060-LL-E-AAB0			± 60		3		480			706	2725

Axial, rectangular metallic expansion joint

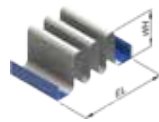
Compensator Properties	Design Temperature	≤ 300 °C
	Design Pressure	100 mbar
	Bellow Material	1.0330
	Corner Type	Double Miter
	Connection	Angle Flange
	Connection Material	1.0038
	Profile WH 80mm	L60x6
Profile WH 150/200mm	L80x8	
Sleeve Material	1.0038	
Thickness WH 80mm	3 mm	
Thickness WH 150/200mm	5 mm	
Cycles	≥ 1000	



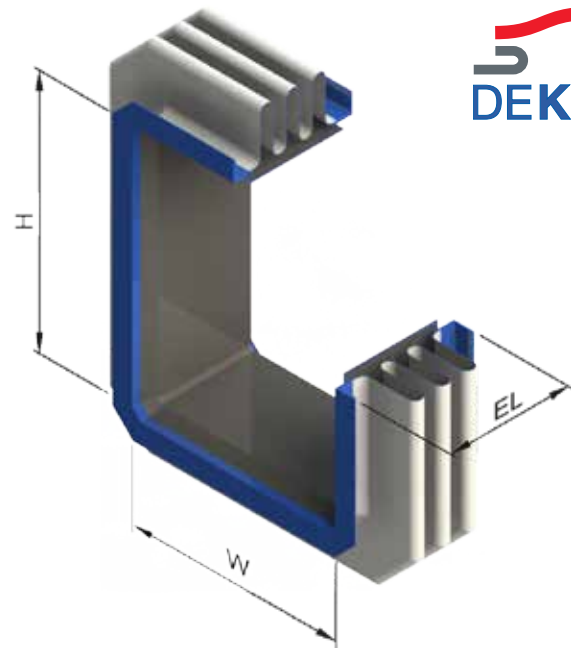
1 convolution



2 convolutions



3 convolutions

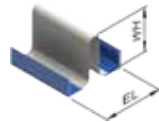


DEKOMTE Article Number	Clear Opening		Maximum Movement	Convolution Height WH	Number of Convolutions	Effective Area	Installation Length EL	Overall Dimension		Axial Adjustment Force	Weight
	Width W	Height H						Width	Height H		
	[mm]	[mm]						[mm]	[mm]		
A-00-00300/00300-006-LL-E-L-AAB0A	300	300	± 6	80	1	1416	200	465	465	684	31
A-00-00300/00300-013-LL-E-L-AAB0A			± 13		2		270			342	38
A-00-00300/00300-019-LL-E-L-AAB0A			± 19		3		340			228	45
A-00-00300/00600-006-LL-E-L-AAB0A	300	600	± 6	80	1	2597	200	465	765	955	44
A-00-00300/00600-013-LL-E-L-AAB0A			± 13		2		270			477	55
A-00-00300/00600-019-LL-E-L-AAB0A			± 19		3		340			318	65
A-00-00400/00400-006-LL-E-L-AAB0A	400	400	± 6	80	1	2303	200	565	565	865	40
A-00-00400/00400-013-LL-E-L-AAB0A			± 13		2		270			432	49
A-00-00400/00400-019-LL-E-L-AAB0A			± 19		3		340			288	58
A-00-00400/00800-006-LL-E-L-AAB0A	400	800	± 6	80	1	4277	200	565	965	1225	57
A-00-00400/00800-013-LL-E-L-AAB0A			± 13		2		270			612	71
A-00-00400/00800-019-LL-E-L-AAB0A			± 19		3		340			408	85
A-00-00500/00500-006-LL-E-L-AAB0A	500	500	± 6	80	1	3390	200	665	665	1045	49
A-00-00500/00500-013-LL-E-L-AAB0A			± 13		2		270			522	60
A-00-00500/00500-019-LL-E-L-AAB0A			± 19		3		340			348	72
A-00-00500/00500-015-LL-E-L-AAB0A	500	500	± 15	150	1	4175	270	805	805	195	90
A-00-00500/00500-030-LL-E-L-AAB0A			± 30		2		375			98	113
A-00-00500/00500-045-LL-E-L-AAB0A			± 45		3		480			65	136
A-00-00500/00500-020-LL-E-L-AAB0A	500	500	± 20	200	1	4737	270	905	905	98	95
A-00-00500/00500-040-LL-E-L-AAB0A			± 40		2		375			49	122
A-00-00500/00500-060-LL-E-L-AAB0A			± 60		3		480			33	150
A-00-00500/01000-006-LL-E-L-AAB0A	500	1000	± 6	80	1	6358	200	665	1165	1495	71
A-00-00500/01000-013-LL-E-L-AAB0A			± 13		2		270			747	88
A-00-00500/01000-019-LL-E-L-AAB0A			± 19		3		340			498	104
A-00-00500/01000-015-LL-E-L-AAB0A	500	1000	± 15	150	1	7513	270	805	1305	270	129
A-00-00500/01000-030-LL-E-L-AAB0A			± 30		2		375			135	163
A-00-00500/01000-045-LL-E-L-AAB0A			± 45		3		480			90	196
A-00-00500/01000-020-LL-E-L-AAB0A	500	1000	± 20	200	1	8325	270	905	1405	132	136
A-00-00500/01000-040-LL-E-L-AAB0A			± 40		2		375			66	175
A-00-00500/01000-060-LL-E-L-AAB0A			± 60		3		480			44	215

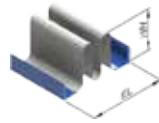
Axial, rectangular metallic expansion joint



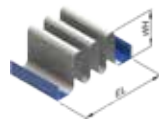
Compensator Properties	Design Temperature	≤ 300 °C
	Design Pressure	100 mbar
	Bellow Material	1.0330
	Corner Type	Double Miter
	Connection	Angle Flange
	Connection Material	1.0038
	Profile WH 80mm	L60x6
Profile WH 150/200mm	L80x8	
Sleeve Material	1.0038	
Thickness WH 80mm	3 mm	
Thickness WH 150/200mm	5 mm	
Cycles	≥ 1000	



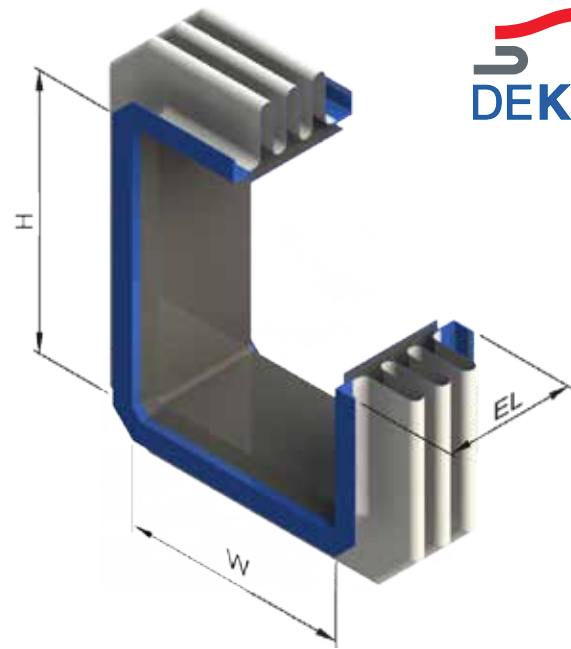
1 convolution



2 convolutions



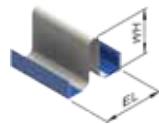
3 convolutions



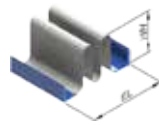
DEKOMTE Article Number	Clear Opening		Maximum Movement	Convolution Height WH	Number of Convolutions	Effective Area	Installation Length EL	Overall Dimension		Axial Adjustment Force	Weight
	Width W	Height H						Width	Height H		
	[mm]	[mm]						[mm]	[mm]		
A-00-00600/00600-006-LL-E-L-AAB0A	600	600	± 6	80	1	4677	200	765	765	1225	57
A-00-00600/00600-013-LL-E-L-AAB0A			± 13		2		270			612	71
A-00-00600/00600-019-LL-E-L-AAB0A			± 19		3		340			408	85
A-00-00600/00600-015-LL-E-L-AAB0A	600	600	± 15	150	1	5610	270	905	905	225	106
A-00-00600/00600-030-LL-E-L-AAB0A			± 30		2		375			113	133
A-00-00600/00600-045-LL-E-L-AAB0A			± 45		3		480			75	160
A-00-00600/00600-020-LL-E-L-AAB0A	600	600	± 20	200	1	6272	270	1005	1005	111	111
A-00-00600/00600-040-LL-E-L-AAB0A			± 40		2		375			56	144
A-00-00600/00600-060-LL-E-L-AAB0A			± 60		3		480			37	176
A-00-00600/01200-006-LL-E-L-AAB0A	600	1200	± 6	80	1	8838	200	765	1365	1765	84
A-00-00600/01200-013-LL-E-L-AAB0A			± 13		2		270			883	104
A-00-00600/01200-019-LL-E-L-AAB0A			± 19		3		340			588	124
A-00-00600/01200-015-LL-E-L-AAB0A	600	1200	± 15	150	1	10215	270	905	1505	315	153
A-00-00600/01200-030-LL-E-L-AAB0A			± 30		2		375			158	193
A-00-00600/01200-045-LL-E-L-AAB0A			± 45		3		480			105	232
A-00-00600/01200-020-LL-E-L-AAB0A	600	1200	± 20	200	1	11177	270	1005	1605	153	160
A-00-00600/01200-040-LL-E-L-AAB0A			± 40		2		375			77	207
A-00-00600/01200-060-LL-E-L-AAB0A			± 60		3		480			51	253
A-00-00700/00700-006-LL-E-L-AAB0A	700	700	± 6	80	1	6164	200	865	865	1405	66
A-00-00700/00700-013-LL-E-L-AAB0A			± 13		2		270			702	82
A-00-00700/00700-019-LL-E-L-AAB0A			± 19		3		340			468	98
A-00-00700/00700-015-LL-E-L-AAB0A	700	700	± 15	150	1	7245	270	1005	1005	255	121
A-00-00700/00700-030-LL-E-L-AAB0A			± 30		2		375			128	153
A-00-00700/00700-045-LL-E-L-AAB0A			± 45		3		480			85	184
A-00-00700/00700-020-LL-E-L-AAB0A	700	700	± 20	200	1	8007	270	1105	1105	125	127
A-00-00700/00700-040-LL-E-L-AAB0A			± 40		2		375			63	165
A-00-00700/00700-060-LL-E-L-AAB0A			± 60		3		480			42	202
A-00-00700/01400-006-LL-E-L-AAB0A	700	1400	± 6	80	1	11719	200	865	1565	2035	98
A-00-00700/01400-013-LL-E-L-AAB0A			± 13		2		270			1018	121
A-00-00700/01400-019-LL-E-L-AAB0A			± 19		3		340			678	144

Axial, rectangular metallic expansion joint

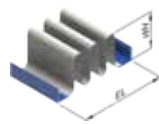
Compensator Properties	Design Temperature	≤ 300 °C
	Design Pressure	100 mbar
	Bellow Material	1.0330
	Corner Type	Double Miter
	Connection	Angle Flange
	Connection Material	1.0038
	Profile WH 80mm	L60x6
Profile WH 150/200mm	L80x8	
Sleeve Material	1.0038	
Thickness WH 80mm	3 mm	
Thickness WH 150/200mm	5 mm	
Cycles	≥ 1000	



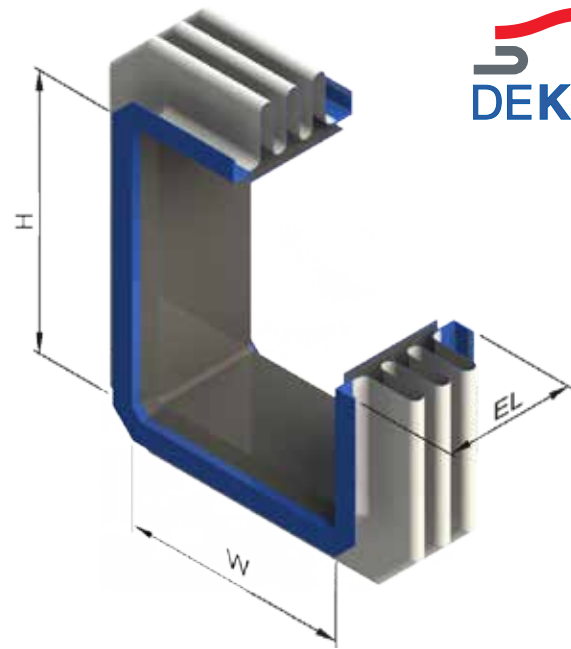
1 convolution



2 convolutions



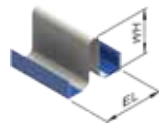
3 convolutions



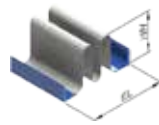
DEKOMTE Article Number	Clear Opening		Maximum Movement	Convolution Height WH	Number of Convolutions	Effective Area	Installation Length EL	Overall Dimension		Axial Adjustment Force	Weight
	Width W	Height H						Width	Height H		
	[mm]	[mm]						[mm]	[mm]		
A-00-00700/01400-015-LL-E-L-AAB0A	700	1400	± 15	150	1	13318	270	1005	1705	360	177
A-00-00700/01400-030-LL-E-L-AAB0A			± 30		2		375			180	223
A-00-00700/01400-045-LL-E-L-AAB0A			± 45		3		480			120	268
A-00-00700/01400-020-LL-E-L-AAB0A	700	1400	± 20	200	1	14430	270	1105	1805	174	185
A-00-00700/01400-040-LL-E-L-AAB0A			± 40		2		375			87	238
A-00-00700/01400-060-LL-E-L-AAB0A			± 60		3		480			58	291
A-00-00800/00800-006-LL-E-L-AAB0A	800	800	± 6	80	1	7851	200	965	965	1585	75
A-00-00800/00800-013-LL-E-L-AAB0A			± 13		2		270			792	93
A-00-00800/00800-019-LL-E-L-AAB0A			± 19		3		340			528	111
A-00-00800/00800-015-LL-E-L-AAB0A	800	800	± 15	150	1	9080	270	1105	1105	285	137
A-00-00800/00800-030-LL-E-L-AAB0A			± 30		2		375			143	173
A-00-00800/00800-045-LL-E-L-AAB0A			± 45		3		480			95	208
A-00-00800/00800-020-LL-E-L-AAB0A	800	800	± 20	200	1	9942	270	1205	1205	139	144
A-00-00800/00800-040-LL-E-L-AAB0A			± 40		2		375			70	186
A-00-00800/00800-060-LL-E-L-AAB0A			± 60		3		480			46	227
A-00-00800/01600-006-LL-E-L-AAB0A	800	1600	± 6	80	1	14999	200	965	1765	2305	111
A-00-00800/01600-013-LL-E-L-AAB0A			± 13		2		270			1153	137
A-00-00800/01600-019-LL-E-L-AAB0A			± 19		3		340			768	164
A-00-00800/01600-015-LL-E-L-AAB0A	800	1600	± 15	150	1	16820	270	1105	1905	406	201
A-00-00800/01600-030-LL-E-L-AAB0A			± 30		2		375			203	253
A-00-00800/01600-045-LL-E-L-AAB0A			± 45		3		480			135	304
A-00-00800/01600-020-LL-E-L-AAB0A	800	1600	± 20	200	1	18082	270	1205	2005	195	210
A-00-00800/01600-040-LL-E-L-AAB0A			± 40		2		375			98	270
A-00-00800/01600-060-LL-E-L-AAB0A			± 60		3		480			65	330
A-00-00900/00900-006-LL-E-L-AAB0A	900	900	± 6	80	1	9738	200	1065	1065	1765	84
A-00-00900/00900-013-LL-E-L-AAB0A			± 13		2		270			883	104
A-00-00900/00900-019-LL-E-L-AAB0A			± 19		3		340			588	124
A-00-00900/00900-015-LL-E-L-AAB0A	900	900	± 15	150	1	11115	270	1205	1205	315	153
A-00-00900/00900-030-LL-E-L-AAB0A			± 30		2		375			158	193
A-00-00900/00900-045-LL-E-L-AAB0A			± 45		3		480			105	232

Axial, rectangular metallic expansion joint

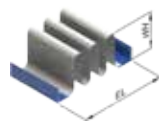
Compensator Properties	Design Temperature	≤ 300 °C
	Design Pressure	100 mbar
	Bellow Material	1.0330
	Corner Type	Double Miter
	Connection	Angle Flange
	Connection Material	1.0038
	Profile WH 80mm	L60x6
Profile WH 150/200mm	L80x8	
Sleeve Material	1.0038	
Thickness WH 80mm	3 mm	
Thickness WH 150/200mm	5 mm	
Cycles	≥ 1000	



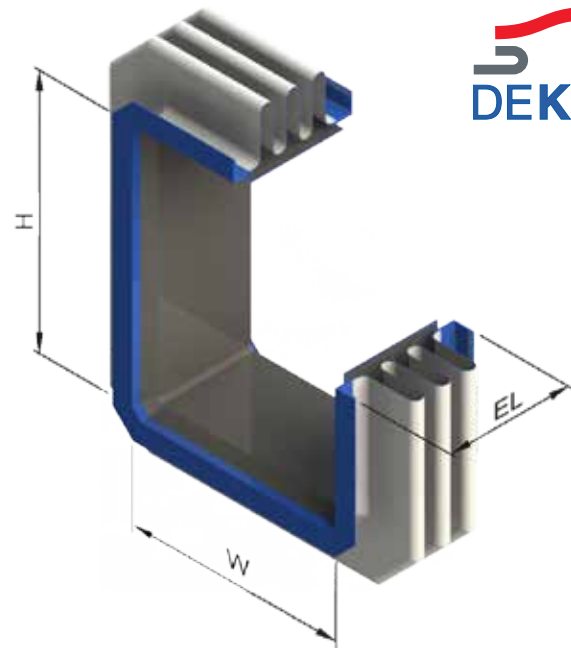
1 convolution



2 convolutions



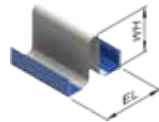
3 convolutions



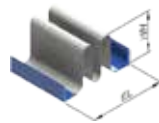
DEKOMTE Article Number	Clear Opening		Maximum Movement	Convolution Height WH	Number of Convolutions	Effective Area	Installation Length EL	Overall Dimension		Axial Adjustment Force	Weight
	Width W	Height H						Width	Height H		
	[mm]	[mm]						[mm]	[mm]		
A-00-00900/00900-020-LL-E-L-AAB0A	900	900	± 20	200	1	12077	270	1305	1305	153	160
A-00-00900/00900-040-LL-E-L-AAB0A			± 40		2		375			77	207
A-00-00900/00900-060-LL-E-L-AAB0A			± 60		3		480			51	253
A-00-00900/01800-006-LL-E-L-AAB0A	900	1800	± 6	80	1	18680	200	1065	1965	2576	124
A-00-00900/01800-013-LL-E-L-AAB0A			± 13		2		270			1288	154
A-00-00900/01800-019-LL-E-L-AAB0A			± 19		3		340			859	183
A-00-00900/01800-015-LL-E-L-AAB0A	900	1800	± 15	150	1	20723	270	1205	2105	451	225
A-00-00900/01800-030-LL-E-L-AAB0A			± 30		2		375			225	283
A-00-00900/01800-045-LL-E-L-AAB0A			± 45		3		480			150	340
A-00-00900/01800-020-LL-E-L-AAB0A	900	1800	± 20	200	1	22135	270	1305	2205	216	234
A-00-00900/01800-040-LL-E-L-AAB0A			± 40		2		375			108	301
A-00-00900/01800-060-LL-E-L-AAB0A			± 60		3		480			72	368
A-00-01000/01000-006-LL-E-L-AAB0A	1000	1000	± 6	80	1	11825	200	1165	1165	1945	93
A-00-01000/01000-013-LL-E-L-AAB0A			± 13		2		270			973	115
A-00-01000/01000-019-LL-E-L-AAB0A			± 19		3		340			648	137
A-00-01000/01000-015-LL-E-L-AAB0A	1000	1000	± 15	150	1	13350	270	1305	1305	345	169
A-00-01000/01000-030-LL-E-L-AAB0A			± 30		2		375			173	213
A-00-01000/01000-045-LL-E-L-AAB0A			± 45		3		480			115	256
A-00-01000/01000-020-LL-E-L-AAB0A	1000	1000	± 20	200	1	14412	270	1405	1405	167	177
A-00-01000/01000-040-LL-E-L-AAB0A			± 40		2		375			84	228
A-00-01000/01000-060-LL-E-L-AAB0A			± 60		3		480			56	279
A-00-01000/02000-006-LL-E-L-AAB0A	1000	2000	± 6	80	1	22760	200	1165	2165	2846	138
A-00-01000/02000-013-LL-E-L-AAB0A			± 13		2		270			1423	170
A-00-01000/02000-019-LL-E-L-AAB0A			± 19		3		340			949	203
A-00-01000/02000-015-LL-E-L-AAB0A	1000	2000	± 15	150	1	25025	270	1305	2305	496	249
A-00-01000/02000-030-LL-E-L-AAB0A			± 30		2		375			248	313
A-00-01000/02000-045-LL-E-L-AAB0A			± 45		3		480			165	376
A-00-01000/02000-020-LL-E-L-AAB0A	1000	2000	± 20	200	1	26587	270	1405	2405	237	259
A-00-01000/02000-040-LL-E-L-AAB0A			± 40		2		375			118	333
A-00-01000/02000-060-LL-E-L-AAB0A			± 60		3		480			79	407

Axial, rectangular metallic expansion joint

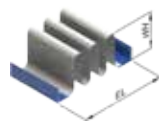
Compensator Properties	Design Temperature	≤ 300 °C
	Design Pressure	100 mbar
	Bellow Material	1.0330
	Corner Type	Double Miter
	Connection	Angle Flange
	Connection Material	1.0038
	Profile WH 80mm	L60x6
Profile WH 150/200mm	L80x8	
Sleeve Material	1.0038	
Thickness WH 80mm	3 mm	
Thickness WH 150/200mm	5 mm	
Cycles	≥ 1000	



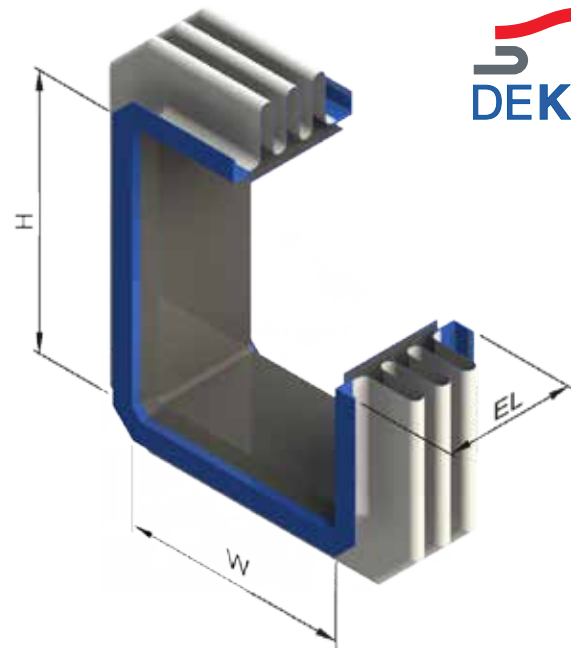
1 convolution



2 convolutions



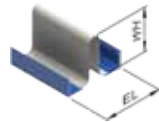
3 convolutions



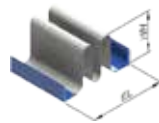
DEKOMTE Article Number	Clear Opening		Maximum Movement	Convolution Height WH	Number of Convolutions	Effective Area	Installation Length EL	Overall Dimension		Axial Adjustment Force	Weight
	Width W	Height H						Width	Height H		
	[mm]	[mm]						[mm]	[mm]		
A-00-01200/01200-006-LL-E-L-AAB0A	1200	1200	± 6	80	1	16599	200	1365	1365	2305	111
A-00-01200/01200-013-LL-E-L-AAB0A			± 13		2		270			1153	137
A-00-01200/01200-019-LL-E-L-AAB0A			± 19		3		340			768	164
A-00-01200/01200-015-LL-E-L-AAB0A	1200	1200	± 15	150	1	18420	270	1505	1505	406	201
A-00-01200/01200-030-LL-E-L-AAB0A			± 30		2		375			203	253
A-00-01200/01200-045-LL-E-L-AAB0A			± 45		3		480			135	304
A-00-01200/01200-020-LL-E-L-AAB0A	1200	1200	± 20	200	1	19682	270	1605	1605	195	210
A-00-01200/01200-040-LL-E-L-AAB0A			± 40		2		375			98	270
A-00-01200/01200-060-LL-E-L-AAB0A			± 60		3		480			65	330
A-00-01200/02400-006-LL-E-L-AAB0A	1200	2400	± 6	80	1	32121	200	1365	2565	3386	164
A-00-01200/02400-013-LL-E-L-AAB0A			± 13		2		270			1693	204
A-00-01200/02400-019-LL-E-L-AAB0A			± 19		3		340			1129	243
A-00-01200/02400-015-LL-E-L-AAB0A	1200	2400	± 15	150	1	34830	270	1505	2705	586	296
A-00-01200/02400-030-LL-E-L-AAB0A			± 30		2		375			293	372
A-00-01200/02400-045-LL-E-L-AAB0A			± 45		3		480			195	448
A-00-01200/02400-020-LL-E-L-AAB0A	1200	2400	± 20	200	1	36692	270	1605	2805	279	308
A-00-01200/02400-040-LL-E-L-AAB0A			± 40		2		375			139	396
A-00-01200/02400-060-LL-E-L-AAB0A			± 60		3		480			93	484
A-00-01400/01400-006-LL-E-L-AAB0A	1400	1400	± 6	80	1	22173	200	1565	1565	2666	129
A-00-01400/01400-013-LL-E-L-AAB0A			± 13		2		270			1333	159
A-00-01400/01400-019-LL-E-L-AAB0A			± 19		3		340			889	190
A-00-01400/01400-015-LL-E-L-AAB0A	1400	1400	± 15	150	1	24290	270	1705	1705	466	233
A-00-01400/01400-030-LL-E-L-AAB0A			± 30		2		375			233	293
A-00-01400/01400-045-LL-E-L-AAB0A			± 45		3		480			155	352
A-00-01400/01400-020-LL-E-L-AAB0A	1400	1400	± 20	200	1	25752	270	1805	1805	223	243
A-00-01400/01400-040-LL-E-L-AAB0A			± 40		2		375			111	312
A-00-01400/01400-060-LL-E-L-AAB0A			± 60		3		480			74	381
A-00-01400/02800-006-LL-E-L-AAB0A	1400	2800	± 6	80	1	43082	200	1565	2965	3926	191
A-00-01400/02800-013-LL-E-L-AAB0A			± 13		2		270			1963	237
A-00-01400/02800-019-LL-E-L-AAB0A			± 19		3		340			1309	282

Axial, rectangular metallic expansion joint

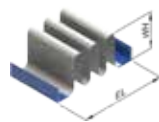
Compensator Properties	Design Temperature	≤ 300 °C
	Design Pressure	100 mbar
	Bellow Material	1.0330
	Corner Type	Double Miter
	Connection	Angle Flange
	Connection Material	1.0038
	Profile WH 80mm	L60x6
Profile WH 150/200mm	L80x8	
Sleeve Material	1.0038	
Thickness WH 80mm	3 mm	
Thickness WH 150/200mm	5 mm	
Cycles	≥ 1000	



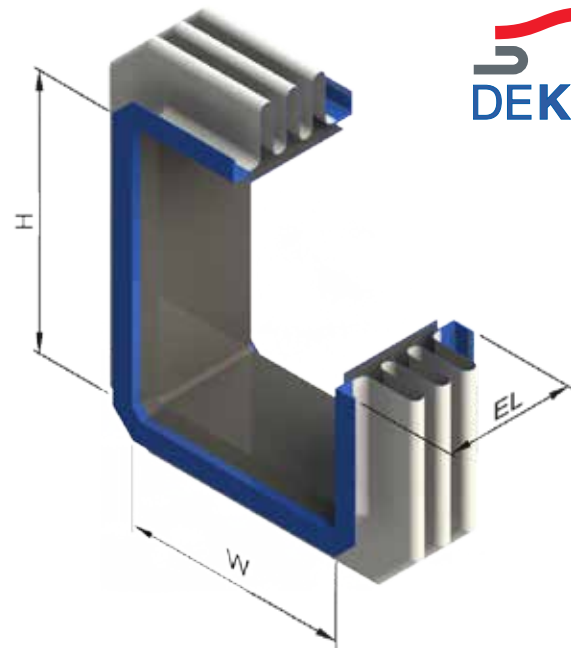
1 convolution



2 convolutions



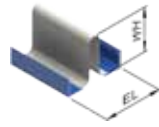
3 convolutions



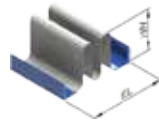
DEKOMTE Article Number	Clear Opening		Maximum Movement	Convolution Height WH	Number of Convolutions	Effective Area	Installation Length EL	Overall Dimension		Axial Adjustment Force	Weight
	Width W	Height H						Width	Height H		
	[mm]	[mm]						[mm]	[mm]		
A-00-01400/02800-015-LL-E-L-AAB0A	1400	2800	± 15	150	1	46235	270	1705	3105	676	344
A-00-01400/02800-030-LL-E-L-AAB0A			± 30		2		375			338	432
A-00-01400/02800-045-LL-E-L-AAB0A			± 45		3		480			225	520
A-00-01400/02800-020-LL-E-L-AAB0A	1400	2800	± 20	200	1	48397	270	1805	3205	320	358
A-00-01400/02800-040-LL-E-L-AAB0A			± 40		2		375			160	459
A-00-01400/02800-060-LL-E-L-AAB0A			± 60		3		480			107	561
A-00-01600/01600-006-LL-E-L-AAB0A	1600	1600	± 6	80	1	28547	200	1765	1765	3026	147
A-00-01600/01600-013-LL-E-L-AAB0A			± 13		2		270			1513	181
A-00-01600/01600-019-LL-E-L-AAB0A			± 19		3		340			1009	216
A-00-01600/01600-015-LL-E-L-AAB0A	1600	1600	± 15	150	1	30960	270	1905	1905	526	265
A-00-01600/01600-030-LL-E-L-AAB0A			± 30		2		375			263	333
A-00-01600/01600-045-LL-E-L-AAB0A			± 45		3		480			175	400
A-00-01600/01600-020-LL-E-L-AAB0A	1600	1600	± 20	200	1	32622	270	2005	2005	251	275
A-00-01600/01600-040-LL-E-L-AAB0A			± 40		2		375			125	354
A-00-01600/01600-060-LL-E-L-AAB0A			± 60		3		480			84	432
A-00-01600/03200-006-LL-E-L-AAB0A	1600	3200	± 6	80	1	55643	200	1765	3365	4467	218
A-00-01600/03200-013-LL-E-L-AAB0A			± 13		2		270			2233	270
A-00-01600/03200-019-LL-E-L-AAB0A			± 19		3		340			1489	322
A-00-01600/03200-015-LL-E-L-AAB0A	1600	3200	± 15	150	1	59240	270	1905	3505	766	392
A-00-01600/03200-030-LL-E-L-AAB0A			± 30		2		375			383	492
A-00-01600/03200-045-LL-E-L-AAB0A			± 45		3		480			255	593
A-00-01600/03200-020-LL-E-L-AAB0A	1600	3200	± 20	200	1	61702	270	2005	3605	362	407
A-00-01600/03200-040-LL-E-L-AAB0A			± 40		2		375			181	522
A-00-01600/03200-060-LL-E-L-AAB0A			± 60		3		480			121	638
A-00-01800/01800-006-LL-E-L-AAB0A	1800	1800	± 6	80	1	35721	200	1965	1965	3386	164
A-00-01800/01800-013-LL-E-L-AAB0A			± 13		2		270			1693	204
A-00-01800/01800-019-LL-E-L-AAB0A			± 19		3		340			1129	243
A-00-01800/01800-015-LL-E-L-AAB0A	1800	1800	± 15	150	1	38430	270	2105	2105	586	296
A-00-01800/01800-030-LL-E-L-AAB0A			± 30		2		375			293	372
A-00-01800/01800-045-LL-E-L-AAB0A			± 45		3		480			195	448

Axial, rectangular metallic expansion joint

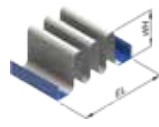
Compensator Properties	Design Temperature	≤ 300 °C
	Design Pressure	100 mbar
	Bellow Material	1.0330
	Corner Type	Double Miter
	Connection	Angle Flange
	Connection Material	1.0038
	Profile WH 80mm	L60x6
Profile WH 150/200mm	L80x8	
Sleeve Material	1.0038	
Thickness WH 80mm	3 mm	
Thickness WH 150/200mm	5 mm	
Cycles	≥ 1000	



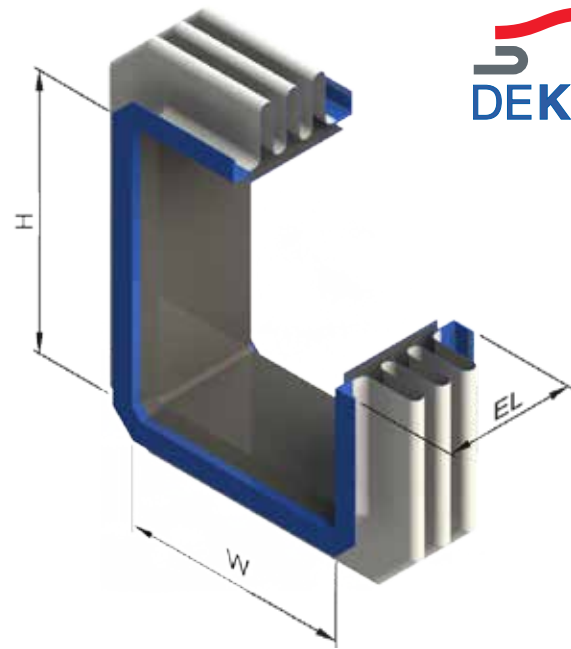
1 convolution



2 convolutions



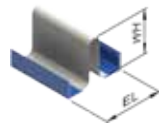
3 convolutions



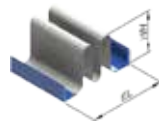
DEKOMTE Article Number	Clear Opening		Maximum Movement	Convolution Height WH	Number of Convolutions	Effective Area	Installation Length EL	Overall Dimension		Axial Adjustment Force	Weight
	Width W	Height H						Width	Height H		
	[mm]	[mm]						[mm]	[mm]		
A-00-01800/01800-020-LL-E-L-AAB0A	1800	1800	± 20	200	1	40292	270	2205	2205	279	308
A-00-01800/01800-040-LL-E-L-AAB0A			± 40		2		375			139	396
A-00-01800/01800-060-LL-E-L-AAB0A			± 60		3		480			93	484
A-00-01800/03600-006-LL-E-L-AAB0A	1800	3600	± 6	80	1	69804	200	1965	3765	5007	245
A-00-01800/03600-013-LL-E-L-AAB0A			± 13		2		270			2504	303
A-00-01800/03600-019-LL-E-L-AAB0A			± 19		3		340			1669	361
A-00-01800/03600-015-LL-E-L-AAB0A	1800	3600	± 15	150	1	73845	270	2105	3905	856	440
A-00-01800/03600-030-LL-E-L-AAB0A			± 30		2		375			428	552
A-00-01800/03600-045-LL-E-L-AAB0A			± 45		3		480			285	665
A-00-01800/03600-020-LL-E-L-AAB0A	1800	3600	± 20	200	1	76607	270	2205	4005	404	456
A-00-01800/03600-040-LL-E-L-AAB0A			± 40		2		375			202	585
A-00-01800/03600-060-LL-E-L-AAB0A			± 60		3		480			135	714
A-00-02000/02000-006-LL-E-L-AAB0A	2000	2000	± 6	80	1	43695	200	2165	2165	3746	182
A-00-02000/02000-013-LL-E-L-AAB0A			± 13		2		270			1873	226
A-00-02000/02000-019-LL-E-L-AAB0A			± 19		3		340			1249	269
A-00-02000/02000-015-LL-E-L-AAB0A	2000	2000	± 15	150	1	46700	270	2305	2305	646	328
A-00-02000/02000-030-LL-E-L-AAB0A			± 30		2		375			323	412
A-00-02000/02000-045-LL-E-L-AAB0A			± 45		3		480			215	496
A-00-02000/02000-020-LL-E-L-AAB0A	2000	2000	± 20	200	1	48762	270	2405	2405	307	341
A-00-02000/02000-040-LL-E-L-AAB0A			± 40		2		375			153	438
A-00-02000/02000-060-LL-E-L-AAB0A			± 60		3		480			102	535
A-00-02000/04000-006-LL-E-L-AAB0A	2000	4000	± 6	80	1	85565	200	2165	4165	5547	271
A-00-02000/04000-013-LL-E-L-AAB0A			± 13		2		270			2774	336
A-00-02000/04000-019-LL-E-L-AAB0A			± 19		3		340			1849	401
A-00-02000/04000-015-LL-E-L-AAB0A	2000	4000	± 15	150	1	90050	270	2305	4305	946	487
A-00-02000/04000-030-LL-E-L-AAB0A			± 30		2		375			473	612
A-00-02000/04000-045-LL-E-L-AAB0A			± 45		3		480			315	737
A-00-02000/04000-020-LL-E-L-AAB0A	2000	4000	± 20	200	1	93112	270	2405	4405	446	506
A-00-02000/04000-040-LL-E-L-AAB0A			± 40		2		375			223	648
A-00-02000/04000-060-LL-E-L-AAB0A			± 60		3		480			149	791

Axial, rectangular metallic expansion joint

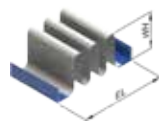
Compensator Properties	Design Temperature	≤ 300 °C
	Design Pressure	100 mbar
	Bellow Material	1.0330
	Corner Type	Double Miter
	Connection	Angle Flange
	Connection Material	1.0038
	Profile WH 80mm	L60x6
Profile WH 150/200mm	L80x8	
Sleeve Material	1.0038	
Thickness WH 80mm	3 mm	
Thickness WH 150/200mm	5 mm	
Cycles	≥ 1000	



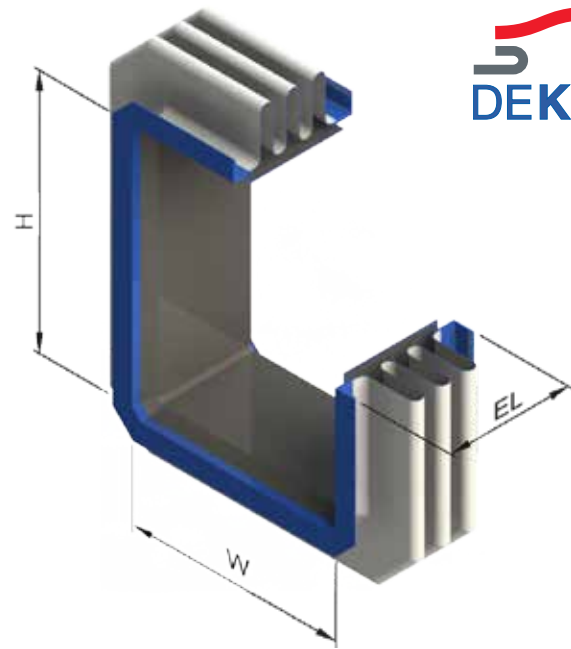
1 convolution



2 convolutions



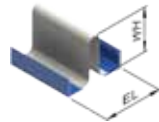
3 convolutions



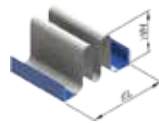
DEKOMTE Article Number	Clear Opening		Maximum Movement	Convolution Height WH	Number of Convolutions	Effective Area	Installation Length EL	Overall Dimension		Axial Adjustment Force	Weight
	Width W	Height H						Width	Height H		
	[mm]	[mm]						[mm]	[mm]		
A-00-02200/02200-015-LL-E-L-AAB0A	2200	2200	± 15	150	1	55770	270	2505	2505	706	360
A-00-02200/02200-030-LL-E-L-AAB0A			± 30		2		375			353	452
A-00-02200/02200-045-LL-E-L-AAB0A			± 45		3		480			235	545
A-00-02200/02200-020-LL-E-L-AAB0A	2200	2200	± 20	200	1	58032	270	2605	2605	334	374
A-00-02200/02200-040-LL-E-L-AAB0A			± 40		2		375			167	480
A-00-02200/02200-060-LL-E-L-AAB0A			± 60		3		480			111	586
A-00-02200/04400-015-LL-E-L-AAB0A	2200	4400	± 15	150	1	107855	270	2505	4705	1036	535
A-00-02200/04400-030-LL-E-L-AAB0A			± 30		2		375			518	672
A-00-02200/04400-045-LL-E-L-AAB0A			± 45		3		480			345	809
A-00-02200/04400-020-LL-E-L-AAB0A	2200	4400	± 20	200	1	111217	270	2605	4805	488	555
A-00-02200/04400-040-LL-E-L-AAB0A			± 40		2		375			244	712
A-00-02200/04400-060-LL-E-L-AAB0A			± 60		3		480			163	868
A-00-02400/02400-015-LL-E-L-AAB0A	2400	2400	± 15	150	1	65640	270	2705	2705	766	392
A-00-02400/02400-030-LL-E-L-AAB0A			± 30		2		375			383	492
A-00-02400/02400-045-LL-E-L-AAB0A			± 45		3		480			255	593
A-00-02400/02400-020-LL-E-L-AAB0A	2400	2400	± 20	200	1	68102	270	2805	2805	362	407
A-00-02400/02400-040-LL-E-L-AAB0A			± 40		2		375			181	522
A-00-02400/02400-060-LL-E-L-AAB0A			± 60		3		480			121	638
A-00-02400/04800-015-LL-E-L-AAB0A	2400	4800	± 15	150	1	127260	270	2705	5105	1127	583
A-00-02400/04800-030-LL-E-L-AAB0A			± 30		2		375			563	732
A-00-02400/04800-045-LL-E-L-AAB0A			± 45		3		480			376	881
A-00-02400/04800-020-LL-E-L-AAB0A	2400	4800	± 20	200	1	130922	270	2805	5205	529	604
A-00-02400/04800-040-LL-E-L-AAB0A			± 40		2		375			265	775
A-00-02400/04800-060-LL-E-L-AAB0A			± 60		3		480			176	945
A-00-02600/02600-015-LL-E-L-AAB0A	2600	2600	± 15	150	1	76310	270	2905	2905	826	424
A-00-02600/02600-030-LL-E-L-AAB0A			± 30		2		375			413	532
A-00-02600/02600-045-LL-E-L-AAB0A			± 45		3		480			275	641
A-00-02600/02600-020-LL-E-L-AAB0A	2600	2600	± 20	200	1	78972	270	3005	3005	390	440
A-00-02600/02600-040-LL-E-L-AAB0A			± 40		2		375			195	564
A-00-02600/02600-060-LL-E-L-AAB0A			± 60		3		480			130	689

Axial, rectangular metallic expansion joint

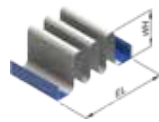
Compensator Properties	Design Temperature	≤ 300 °C
	Design Pressure	100 mbar
	Bellow Material	1.0330
	Corner Type	Double Miter
	Connection	Angle Flange
	Connection Material	1.0038
	Profile WH 80mm	L60x6
Profile WH 150/200mm	L80x8	
Sleeve Material	1.0038	
Thickness WH 80mm	3 mm	
Thickness WH 150/200mm	5 mm	
Cycles	≥ 1000	



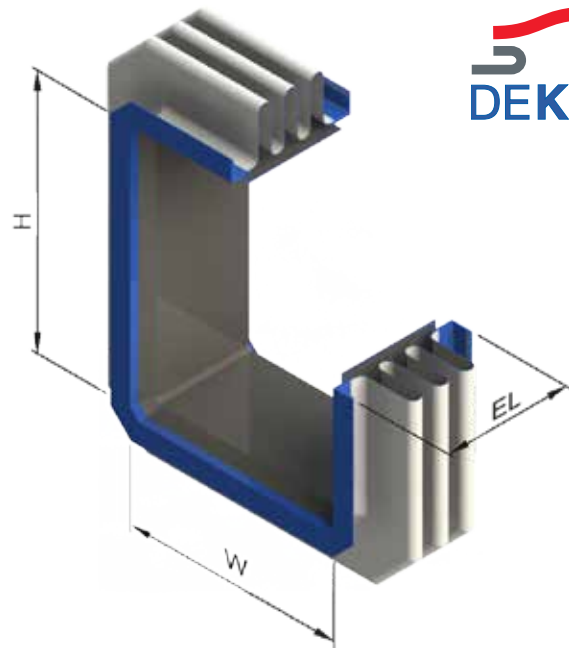
1 convolution



2 convolutions



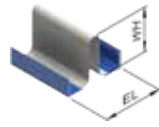
3 convolutions



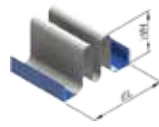
DEKOMTE Article Number	Clear Opening		Maximum Movement	Convolution Height WH	Number of Convolutions	Effective Area	Installation Length EL	Overall Dimension		Axial Adjustment Force	Weight
	Width W	Height H						Width	Height H		
	[mm]	[mm]						[mm]	[mm]		
A-00-02600/05200-015-LL-E-L-AAB0A	2600	5200	± 15	150	1	148265	270	2905	5505	1217	630
A-00-02600/05200-030-LL-E-L-AAB0A			± 30		2		375			608	792
A-00-02600/05200-045-LL-E-L-AAB0A			± 45		3		480			406	953
A-00-02600/05200-020-LL-E-L-AAB0A	2600	5200	± 20	200	1	152227	270	3005	5605	571	654
A-00-02600/05200-040-LL-E-L-AAB0A			± 40		2		375			286	838
A-00-02600/05200-060-LL-E-L-AAB0A			± 60		3		480			190	1022
A-00-02800/02800-015-LL-E-L-AAB0A	2800	2800	± 15	150	1	87780	270	3105	3105	886	455
A-00-02800/02800-030-LL-E-L-AAB0A			± 30		2		375			443	572
A-00-02800/02800-045-LL-E-L-AAB0A			± 45		3		480			295	689
A-00-02800/02800-020-LL-E-L-AAB0A	2800	2800	± 20	200	1	90642	270	3205	3205	418	473
A-00-02800/02800-040-LL-E-L-AAB0A			± 40		2		375			209	606
A-00-02800/02800-060-LL-E-L-AAB0A			± 60		3		480			139	740
A-00-02800/05600-015-LL-E-L-AAB0A	2800	5600	± 15	150	1	170870	270	3105	5905	1307	678
A-00-02800/05600-030-LL-E-L-AAB0A			± 30		2		375			653	852
A-00-02800/05600-045-LL-E-L-AAB0A			± 45		3		480			436	1025
A-00-02800/05600-020-LL-E-L-AAB0A	2800	5600	± 20	200	1	175132	270	3205	6005	613	703
A-00-02800/05600-040-LL-E-L-AAB0A			± 40		2		375			307	901
A-00-02800/05600-060-LL-E-L-AAB0A			± 60		3		480			204	1099
A-00-03000/03000-015-LL-E-L-AAB0A	3000	3000	± 15	150	1	100050	270	3305	3305	946	487
A-00-03000/03000-030-LL-E-L-AAB0A			± 30		2		375			473	612
A-00-03000/03000-045-LL-E-L-AAB0A			± 45		3		480			315	737
A-00-03000/03000-020-LL-E-L-AAB0A	3000	3000	± 20	200	1	103112	270	3405	3405	446	506
A-00-03000/03000-040-LL-E-L-AAB0A			± 40		2		375			223	648
A-00-03000/03000-060-LL-E-L-AAB0A			± 60		3		480			149	791
A-00-03000/06000-015-LL-E-L-AAB0A	3000	6000	± 15	150	1	195075	270	3305	6305	1397	726
A-00-03000/06000-030-LL-E-L-AAB0A			± 30		2		375			698	911
A-00-03000/06000-045-LL-E-L-AAB0A			± 45		3		480			466	1097
A-00-03000/06000-020-LL-E-L-AAB0A	3000	6000	± 20	200	1	199637	270	3405	6405	655	752
A-00-03000/06000-040-LL-E-L-AAB0A			± 40		2		375			327	964
A-00-03000/06000-060-LL-E-L-AAB0A			± 60		3		480			218	1176

Axial, rectangular metallic expansion joint

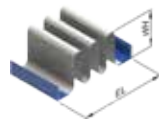
Compensator Properties	Design Temperature	≤ 300 °C
	Design Pressure	100 mbar
	Bellow Material	1.0330
	Corner Type	Double Miter
	Connection	Angle Flange
	Connection Material	1.0038
	Profile WH 80mm	L60x6
Profile WH 150/200mm	L80x8	
Sleeve Material	1.0038	
Thickness WH 80mm	3 mm	
Thickness WH 150/200mm	5 mm	
Cycles	≥ 1000	



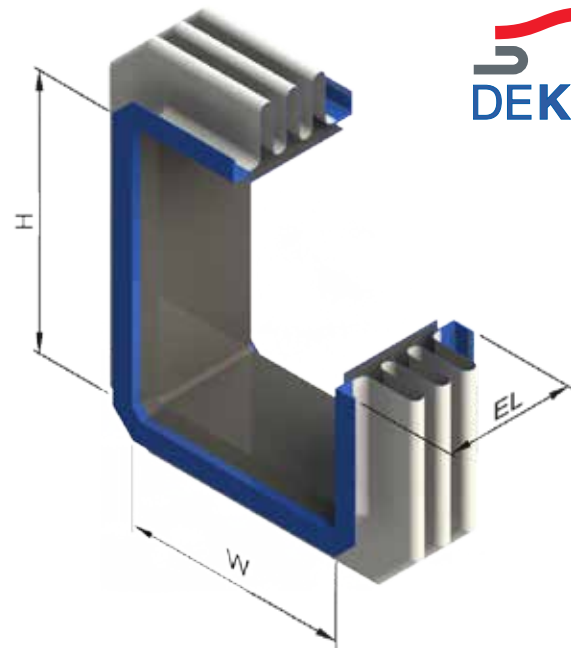
1 convolution



2 convolutions



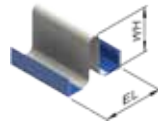
3 convolutions



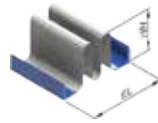
DEKOMTE Article Number	Clear Opening		Maximum Movement	Convolution Height WH	Number of Convolutions	Effective Area	Installation Length EL	Overall Dimension		Axial Adjustment Force	Weight
	Width W	Height H						Width	Height H		
	[mm]	[mm]						[mm]	[mm]		
A-00-03500/03500-015-LL-E-L-AAB0A	3500	3500	± 15	150	1	134225	270	3805	3805	1096	567
A-00-03500/03500-030-LL-E-L-AAB0A			± 30		2		375			548	712
A-00-03500/03500-045-LL-E-L-AAB0A			± 45		3		480			365	857
A-00-03500/03500-020-LL-E-L-AAB0A	3500	3500	± 20	200	1	137787	270	3905	3905	516	588
A-00-03500/03500-040-LL-E-L-AAB0A			± 40		2		375			258	754
A-00-03500/03500-060-LL-E-L-AAB0A			± 60		3		480			172	920
A-00-03500/07000-015-LL-E-L-AAB0A	3500	7000	± 15	150	1	262588	270	3805	7305	1622	845
A-00-03500/07000-030-LL-E-L-AAB0A			± 30		2		375			811	1061
A-00-03500/07000-045-LL-E-L-AAB0A			± 45		3		480			541	1277
A-00-03500/07000-020-LL-E-L-AAB0A	3500	7000	± 20	200	1	267900	270	3905	7405	759	876
A-00-03500/07000-040-LL-E-L-AAB0A			± 40		2		375			380	1122
A-00-03500/07000-060-LL-E-L-AAB0A			± 60		3		480			253	1368
A-00-04000/04000-015-LL-E-L-AAB0A	4000	4000	± 15	150	1	173400	270	4305	4305	1247	646
A-00-04000/04000-030-LL-E-L-AAB0A			± 30		2		375			623	812
A-00-04000/04000-045-LL-E-L-AAB0A			± 45		3		480			416	977
A-00-04000/04000-020-LL-E-L-AAB0A	4000	4000	± 20	200	1	177462	270	4405	4405	585	670
A-00-04000/04000-040-LL-E-L-AAB0A			± 40		2		375			293	859
A-00-04000/04000-060-LL-E-L-AAB0A			± 60		3		480			195	1048
A-00-04000/08000-015-LL-E-L-AAB0A	4000	8000	± 15	150	1	340100	270	4305	8305	1848	964
A-00-04000/08000-030-LL-E-L-AAB0A			± 30		2		375			924	1211
A-00-04000/08000-045-LL-E-L-AAB0A			± 45		3		480			616	1457
A-00-04000/08000-020-LL-E-L-AAB0A	4000	8000	± 20	200	1	346162	270	4405	8405	864	999
A-00-04000/08000-040-LL-E-L-AAB0A			± 40		2		375			432	1280
A-00-04000/08000-060-LL-E-L-AAB0A			± 60		3		480			288	1560
A-00-04500/04500-015-LL-E-L-AAB0A	4500	4500	± 15	150	1	217575	270	4805	4805	1397	726
A-00-04500/04500-030-LL-E-L-AAB0A			± 30		2		375			698	911
A-00-04500/04500-045-LL-E-L-AAB0A			± 45		3		480			466	1097
A-00-04500/04500-020-LL-E-L-AAB0A	4500	4500	± 20	200	1	222137	270	4905	4905	655	752
A-00-04500/04500-040-LL-E-L-AAB0A			± 40		2		375			327	964
A-00-04500/04500-060-LL-E-L-AAB0A			± 60		3		480			218	1176

Axial, rectangular metallic expansion joint

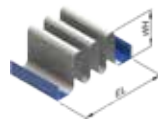
Compensator Properties	Design Temperature	≤ 300 °C
	Design Pressure	100 mbar
	Bellow Material	1.0330
	Corner Type	Double Miter
	Connection	Angle Flange
	Connection Material	1.0038
	Profile WH 80mm	L60x6
Profile WH 150/200mm	L80x8	
Sleeve Material	1.0038	
Thickness WH 80mm	3 mm	
Thickness WH 150/200mm	5 mm	
Cycles	≥ 1000	



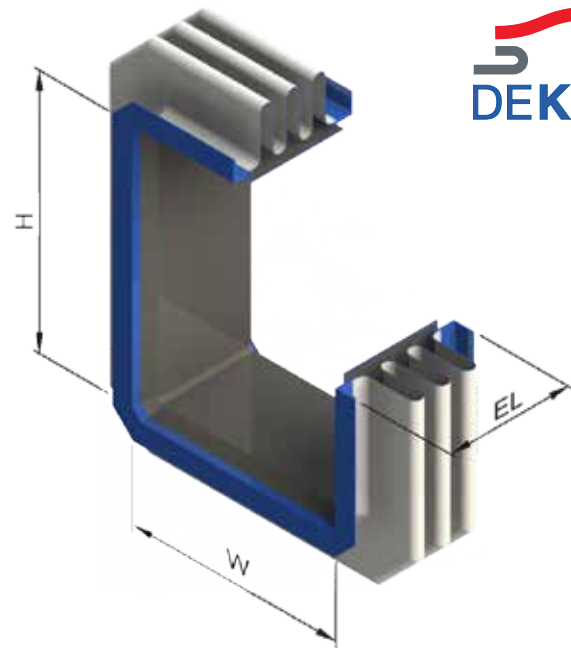
1 convolution



2 convolutions



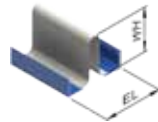
3 convolutions



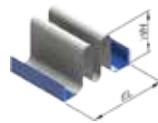
DEKOMTE Article Number	Clear Opening		Maximum Movement	Convolution Height WH	Number of Convolutions	Effective Area	Installation Length EL	Overall Dimension		Axial Adjustment Force	Weight
	Width W	Height H						Width	Height H		
	[mm]	[mm]						[mm]	[mm]		
A-00-04500/09000-015-LL-E-L-AAB0A	4500	9000	± 15	150	1	427613	270	4805	9305	2073	1084
A-00-04500/09000-030-LL-E-L-AAB0A			± 30		2		375			1036	1361
A-00-04500/09000-045-LL-E-L-AAB0A			± 45		3		480			691	1638
A-00-04500/09000-020-LL-E-L-AAB0A	4500	9000	± 20	200	1	434425	270	4905	9405	968	1122
A-00-04500/09000-040-LL-E-L-AAB0A			± 40		2		375			484	1437
A-00-04500/09000-060-LL-E-L-AAB0A			± 60		3		480			323	1753
A-00-05000/05000-015-LL-E-L-AAB0A	5000	5000	± 15	150	1	266750	270	5305	5305	1547	805
A-00-05000/05000-030-LL-E-L-AAB0A			± 30		2		375			774	1011
A-00-05000/05000-045-LL-E-L-AAB0A			± 45		3		480			516	1217
A-00-05000/05000-020-LL-E-L-AAB0A	5000	5000	± 20	200	1	271812	270	5405	5405	725	834
A-00-05000/05000-040-LL-E-L-AAB0A			± 40		2		375			362	1069
A-00-05000/05000-060-LL-E-L-AAB0A			± 60		3		480			242	1304
A-00-05000/10000-015-LL-E-L-AAB0A	5000	10000	± 15	150	1	525125	270	5305	10305	2298	1203
A-00-05000/10000-030-LL-E-L-AAB0A			± 30		2		375			1149	1510
A-00-05000/10000-045-LL-E-L-AAB0A			± 45		3		480			766	1818
A-00-05000/10000-020-LL-E-L-AAB0A	5000	10000	± 20	200	1	532687	270	5405	10405	1073	1245
A-00-05000/10000-040-LL-E-L-AAB0A			± 40		2		375			536	1595
A-00-05000/10000-060-LL-E-L-AAB0A			± 60		3		480			358	1945
A-00-05500/05500-015-LL-E-L-AAB0A	5500	5500	± 15	150	1	320925	270	5805	5805	1697	885
A-00-05500/05500-030-LL-E-L-AAB0A			± 30		2		375			849	1111
A-00-05500/05500-045-LL-E-L-AAB0A			± 45		3		480			566	1337
A-00-05500/05500-020-LL-E-L-AAB0A	5500	5500	± 20	200	1	326487	270	5905	5905	794	917
A-00-05500/05500-040-LL-E-L-AAB0A			± 40		2		375			397	1174
A-00-05500/05500-060-LL-E-L-AAB0A			± 60		3		480			265	1432
A-00-05500/11000-015-LL-E-L-AAB0A	5500	11000	± 15	150	1	632638	270	5805	11305	2523	1322
A-00-05500/11000-030-LL-E-L-AAB0A			± 30		2		375			1262	1660
A-00-05500/11000-045-LL-E-L-AAB0A			± 45		3		480			841	1998
A-00-05500/11000-020-LL-E-L-AAB0A	5500	11000	± 20	200	1	640950	270	5905	11405	1177	1369
A-00-05500/11000-040-LL-E-L-AAB0A			± 40		2		375			589	1753
A-00-05500/11000-060-LL-E-L-AAB0A			± 60		3		480			392	2137

Axial, rectangular metallic expansion joint

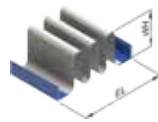
Compensator Properties	Design Temperature	≤ 300 °C
	Design Pressure	100 mbar
	Bellow Material	1.0330
	Corner Type	Double Miter
	Connection	Angle Flange
	Connection Material	1.0038
	Profile WH 80mm	L60x6
Profile WH 150/200mm	L80x8	
Sleeve Material	1.0038	
Thickness WH 80mm	3 mm	
Thickness WH 150/200mm	5 mm	
Cycles	≥ 1000	



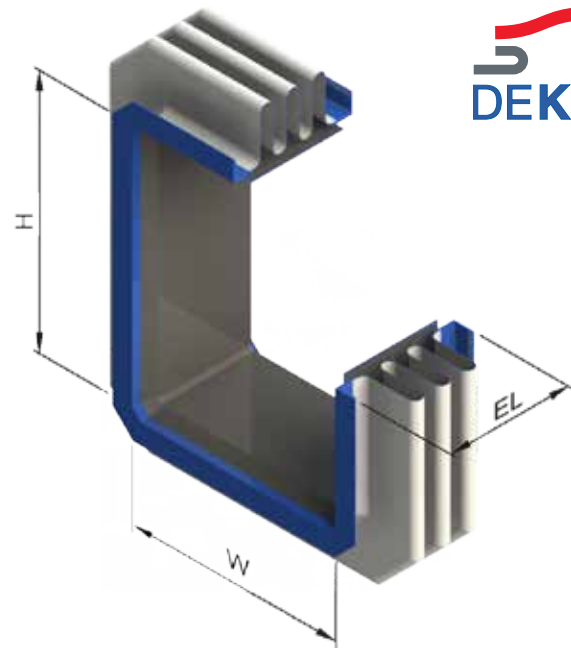
1 convolution



2 convolutions



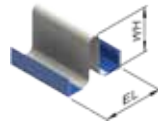
3 convolutions



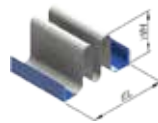
DEKOMTE Article Number	Clear Opening		Maximum Movement	Convolution Height WH	Number of Convolutions	Effective Area	Installation Length EL	Overall Dimension		Axial Adjustment Force	Weight
	Width W	Height H						Width	Height H		
	[mm]	[mm]						[mm]	[mm]		
A-00-06000/06000-015-LL-E-L-AAB0A	6000	6000	± 15	150	1	380100	270	6305	6305	1848	964
A-00-06000/06000-030-LL-E-L-AAB0A			± 30		2		375			924	1211
A-00-06000/06000-045-LL-E-L-AAB0A			± 45		3		480			616	1457
A-00-06000/06000-020-LL-E-L-AAB0A	6000	6000	± 20	200	1	386162	270	6405	6405	864	999
A-00-06000/06000-040-LL-E-L-AAB0A			± 40		2		375			432	1280
A-00-06000/06000-060-LL-E-L-AAB0A			± 60		3		480			288	1560
A-00-06000/12000-015-LL-E-L-AAB0A	6000	12000	± 15	150	1	750150	270	6305	12305	2749	1442
A-00-06000/12000-030-LL-E-L-AAB0A			± 30		2		375			1374	1810
A-00-06000/12000-045-LL-E-L-AAB0A			± 45		3		480			916	2178
A-00-06000/12000-020-LL-E-L-AAB0A	6000	12000	± 20	200	1	759212	270	6405	12405	1282	1492
A-00-06000/12000-040-LL-E-L-AAB0A			± 40		2		375			641	1911
A-00-06000/12000-060-LL-E-L-AAB0A			± 60		3		480			427	2330
A-00-06500/06500-015-LL-E-L-AAB0A	6500	6500	± 15	150	1	444275	270	6805	6805	1998	1044
A-00-06500/06500-030-LL-E-L-AAB0A			± 30		2		375			999	1311
A-00-06500/06500-045-LL-E-L-AAB0A			± 45		3		480			666	1578
A-00-06500/06500-020-LL-E-L-AAB0A	6500	6500	± 20	200	1	450837	270	6905	6905	934	1081
A-00-06500/06500-040-LL-E-L-AAB0A			± 40		2		375			467	1385
A-00-06500/06500-060-LL-E-L-AAB0A			± 60		3		480			311	1689
A-00-06500/13000-015-LL-E-L-AAB0A	6500	13000	± 15	150	1	877663	270	6805	13305	2974	1561
A-00-06500/13000-030-LL-E-L-AAB0A			± 30		2		375			1487	1960
A-00-06500/13000-045-LL-E-L-AAB0A			± 45		3		480			991	2358
A-00-06500/13000-020-LL-E-L-AAB0A	6500	13000	± 20	200	1	887475	270	6905	13405	1386	1615
A-00-06500/13000-040-LL-E-L-AAB0A			± 40		2		375			693	2069
A-00-06500/13000-060-LL-E-L-AAB0A			± 60		3		480			462	2522
A-00-07000/07000-015-LL-E-L-AAB0A	7000	7000	± 15	150	1	513450	270	7305	7305	2148	1123
A-00-07000/07000-030-LL-E-L-AAB0A			± 30		2		375			1074	1411
A-00-07000/07000-045-LL-E-L-AAB0A			± 45		3		480			716	1698
A-00-07000/07000-020-LL-E-L-AAB0A	7000	7000	± 20	200	1	520512	270	7405	7405	1003	1163
A-00-07000/07000-040-LL-E-L-AAB0A			± 40		2		375			502	1490
A-00-07000/07000-060-LL-E-L-AAB0A			± 60		3		480			334	1817

Axial, rectangular metallic expansion joint

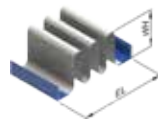
Compensator Properties	Design Temperature	≤ 300 °C
	Design Pressure	100 mbar
	Bellow Material	1.0330
	Corner Type	Double Miter
	Connection	Angle Flange
	Connection Material	1.0038
	Profile WH 80mm	L60x6
Profile WH 150/200mm	L80x8	
Sleeve Material	1.0038	
Thickness WH 80mm	3 mm	
Thickness WH 150/200mm	5 mm	
Cycles	≥ 1000	



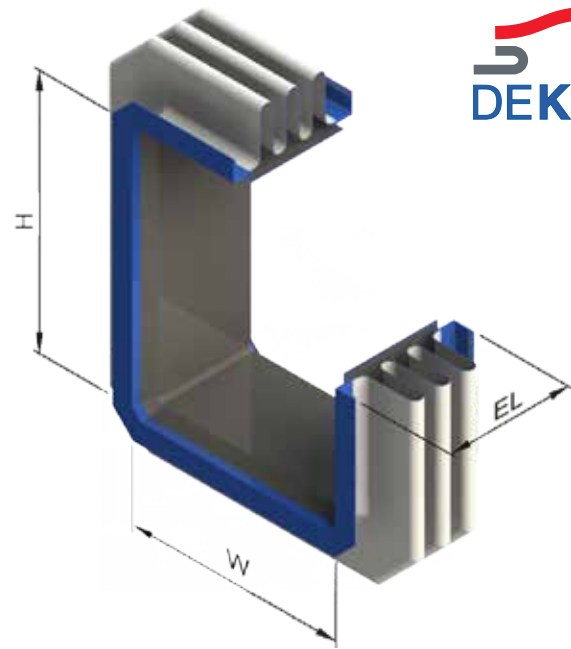
1 convolution



2 convolutions



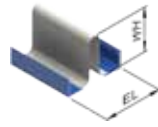
3 convolutions



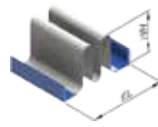
DEKOMTE Article Number	Clear Opening		Maximum Movement	Convolution Height WH	Number of Convolutions	Effective Area	Installation Length EL	Overall Dimension		Axial Adjustment Force	Weight
	Width W	Height H						Width	Height H		
	[mm]	[mm]						[mm]	[mm]		
A-00-07000/14000-015-LL-E-L-AAB0A	7000	14000	± 15	150	1	1015175	270	7305	14305	3199	1680
A-00-07000/14000-030-LL-E-L-AAB0A			± 30		2		375			1600	2109
A-00-07000/14000-045-LL-E-L-AAB0A			± 45		3		480			1066	2538
A-00-07000/14000-020-LL-E-L-AAB0A	7000	14000	± 20	200	1	1025737	270	7405	14405	1491	1739
A-00-07000/14000-040-LL-E-L-AAB0A			± 40		2		375			745	2226
A-00-07000/14000-060-LL-E-L-AAB0A			± 60		3		480			497	2714
A-00-07500/07500-015-LL-E-L-AAB0A	7500	7500	± 15	150	1	587625	270	7805	7805	2298	1203
A-00-07500/07500-030-LL-E-L-AAB0A			± 30		2		375			1149	1510
A-00-07500/07500-045-LL-E-L-AAB0A			± 45		3		480			766	1818
A-00-07500/07500-020-LL-E-L-AAB0A	7500	7500	± 20	200	1	595187	270	7905	7905	1073	1245
A-00-07500/07500-040-LL-E-L-AAB0A			± 40		2		375			536	1595
A-00-07500/07500-060-LL-E-L-AAB0A			± 60		3		480			358	1945
A-00-07500/15000-015-LL-E-L-AAB0A	7500	15000	± 15	150	1	1162688	270	7805	15305	3425	1799
A-00-07500/15000-030-LL-E-L-AAB0A			± 30		2		375			1712	2259
A-00-07500/15000-045-LL-E-L-AAB0A			± 45		3		480			1142	2719
A-00-07500/15000-020-LL-E-L-AAB0A	7500	15000	± 20	200	1	1174000	270	7905	15405	1595	1862
A-00-07500/15000-040-LL-E-L-AAB0A			± 40		2		375			798	2384
A-00-07500/15000-060-LL-E-L-AAB0A			± 60		3		480			532	2906
A-00-08000/08000-015-LL-E-L-AAB0A	8000	8000	± 15	150	1	666800	270	8305	8305	2448	1283
A-00-08000/08000-030-LL-E-L-AAB0A			± 30		2		375			1224	1610
A-00-08000/08000-045-LL-E-L-AAB0A			± 45		3		480			816	1938
A-00-08000/08000-020-LL-E-L-AAB0A	8000	8000	± 20	200	1	674862	270	8405	8405	1143	1328
A-00-08000/08000-040-LL-E-L-AAB0A			± 40		2		375			571	1700
A-00-08000/08000-060-LL-E-L-AAB0A			± 60		3		480			381	2073
A-00-08000/16000-015-LL-E-L-AAB0A	8000	16000	± 15	150	1	1320200	270	8305	16305	3650	1919
A-00-08000/16000-030-LL-E-L-AAB0A			± 30		2		375			1825	2409
A-00-08000/16000-045-LL-E-L-AAB0A			± 45		3		480			1217	2899
A-00-08000/16000-020-LL-E-L-AAB0A	8000	16000	± 20	200	1	1332262	270	8405	16405	1700	1985
A-00-08000/16000-040-LL-E-L-AAB0A			± 40		2		375			850	2542
A-00-08000/16000-060-LL-E-L-AAB0A			± 60		3		480			567	3099

Axial, rectangular metallic expansion joint

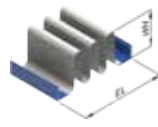
Compensator Properties	Design Temperature	≤ 300 °C
	Design Pressure	100 mbar
	Bellow Material	1.0330
	Corner Type	Double Miter
	Connection	Angle Flange
	Connection Material	1.0038
	Profile WH 80mm	L60x6
Profile WH 150/200mm	L80x8	
Sleeve Material	1.0038	
Thickness WH 80mm	3 mm	
Thickness WH 150/200mm	5 mm	
Cycles	≥ 1000	



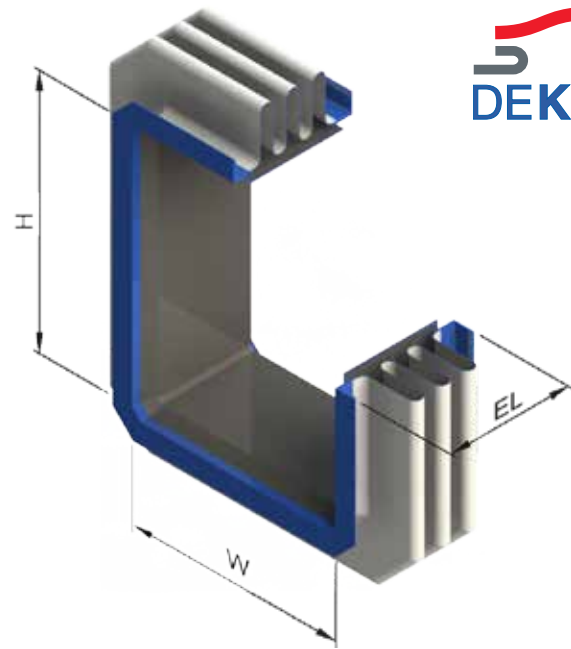
1 convolution



2 convolutions



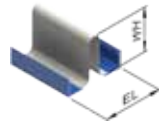
3 convolutions



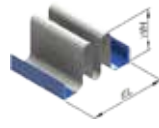
DEKOMTE Article Number	Clear Opening		Maximum Movement	Convolution Height WH	Number of Convolutions	Effective Area	Installation Length EL	Overall Dimension		Axial Adjustment Force	Weight
	Width W	Height H						Width	Height H		
	[mm]	[mm]						[mm]	[mm]		
A-00-08500/08500-015-LL-E-L-AAB0A	8500	8500	± 15	150	1	750975	270	8805	8805	2599	1362
A-00-08500/08500-030-LL-E-L-AAB0A			± 30		2		375			1299	1710
A-00-08500/08500-045-LL-E-L-AAB0A			± 45		3		480			866	2058
A-00-08500/08500-020-LL-E-L-AAB0A	8500	8500	± 20	200	1	759537	270	8905	8905	1212	1410
A-00-08500/08500-040-LL-E-L-AAB0A			± 40		2		375			606	1806
A-00-08500/08500-060-LL-E-L-AAB0A			± 60		3		480			404	2201
A-00-08500/17000-015-LL-E-L-AAB0A	8500	17000	± 15	150	1	1487713	270	8805	17305	3875	2038
A-00-08500/17000-030-LL-E-L-AAB0A			± 30		2		375			1938	2559
A-00-08500/17000-045-LL-E-L-AAB0A			± 45		3		480			1292	3079
A-00-08500/17000-020-LL-E-L-AAB0A	8500	17000	± 20	200	1	1500525	270	8905	17405	1804	2109
A-00-08500/17000-040-LL-E-L-AAB0A			± 40		2		375			902	2700
A-00-08500/17000-060-LL-E-L-AAB0A			± 60		3		480			601	3291
A-00-09000/09000-015-LL-E-L-AAB0A	9000	9000	± 15	150	1	840150	270	9305	9305	2749	1442
A-00-09000/09000-030-LL-E-L-AAB0A			± 30		2		375			1374	1810
A-00-09000/09000-045-LL-E-L-AAB0A			± 45		3		480			916	2178
A-00-09000/09000-020-LL-E-L-AAB0A	9000	9000	± 20	200	1	849212	270	9405	9405	1282	1492
A-00-09000/09000-040-LL-E-L-AAB0A			± 40		2		375			641	1911
A-00-09000/09000-060-LL-E-L-AAB0A			± 60		3		480			427	2330
A-00-09000/18000-015-LL-E-L-AAB0A	9000	18000	± 15	150	1	1665225	270	9305	18305	4101	2157
A-00-09000/18000-030-LL-E-L-AAB0A			± 30		2		375			2050	2708
A-00-09000/18000-045-LL-E-L-AAB0A			± 45		3		480			1367	3259
A-00-09000/18000-020-LL-E-L-AAB0A	9000	18000	± 20	200	1	1678787	270	9405	18405	1909	2232
A-00-09000/18000-040-LL-E-L-AAB0A			± 40		2		375			954	2858
A-00-09000/18000-060-LL-E-L-AAB0A			± 60		3		480			636	3483
A-00-09500/09500-015-LL-E-L-AAB0A	9500	9500	± 15	150	1	934325	270	9805	9805	2899	1521
A-00-09500/09500-030-LL-E-L-AAB0A			± 30		2		375			1449	1910
A-00-09500/09500-045-LL-E-L-AAB0A			± 45		3		480			966	2298
A-00-09500/09500-020-LL-E-L-AAB0A	9500	9500	± 20	200	1	943887	270	9905	9905	1352	1574
A-00-09500/09500-040-LL-E-L-AAB0A			± 40		2		375			676	2016
A-00-09500/09500-060-LL-E-L-AAB0A			± 60		3		480			451	2458

Axial, rectangular metallic expansion joint

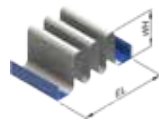
Compensator Properties	Design Temperature	≤ 300 °C
	Design Pressure	100 mbar
	Bellow Material	1.0330
	Corner Type	Double Miter
	Connection	Angle Flange
	Connection Material	1.0038
	Profile WH 80mm	L60x6
Profile WH 150/200mm	L80x8	
Sleeve Material	1.0038	
Thickness WH 80mm	3 mm	
Thickness WH 150/200mm	5 mm	
Cycles	≥ 1000	



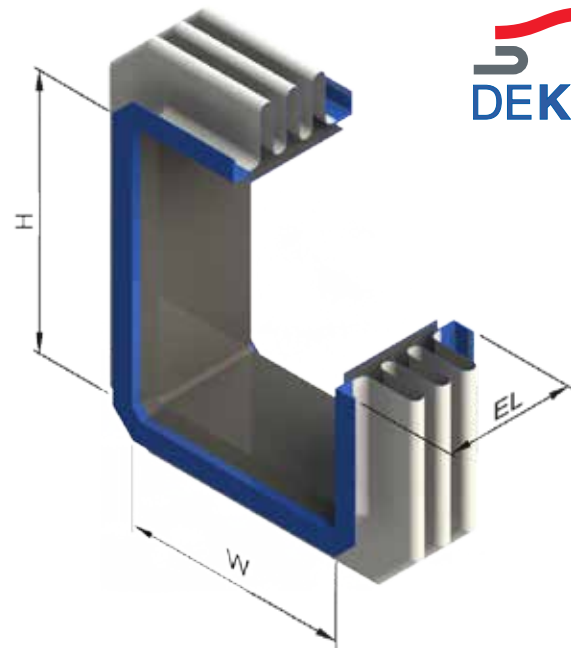
1 convolution



2 convolutions



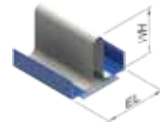
3 convolutions



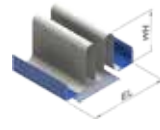
DEKOMTE Article Number	Clear Opening		Maximum Movement	Convolution Height WH	Number of Convolutions	Effective Area	Installation Length EL	Overall Dimension		Axial Adjustment Force	Weight
	Width W	Height H						Width	Height H		
	[mm]	[mm]						[mm]	[mm]		
A-00-09500/19000-015-LL-E-L-AAB0A	9500	19000	± 15	150	1	1852738	270	9805	19305	4326	2277
A-00-09500/19000-030-LL-E-L-AAB0A			± 30		2		375			2163	2858
A-00-09500/19000-045-LL-E-L-AAB0A			± 45		3		480			1442	3439
A-00-09500/19000-020-LL-E-L-AAB0A	9500	19000	± 20	200	1	1867050	270	9905	19405	2013	2355
A-00-09500/19000-040-LL-E-L-AAB0A			± 40		2		375			1007	3015
A-00-09500/19000-060-LL-E-L-AAB0A			± 60		3		480			671	3675
A-00-10000/10000-015-LL-E-L-AAB0A	10000	10000	± 15	150	1	1033500	270	10305	10305	3049	1601
A-00-10000/10000-030-LL-E-L-AAB0A			± 30		2		375			1525	2010
A-00-10000/10000-045-LL-E-L-AAB0A			± 45		3		480			1016	2418
A-00-10000/10000-020-LL-E-L-AAB0A	10000	10000	± 20	200	1	1043562	270	10405	10405	1421	1657
A-00-10000/10000-040-LL-E-L-AAB0A			± 40		2		375			711	2121
A-00-10000/10000-060-LL-E-L-AAB0A			± 60		3		480			474	2586
A-00-10000/20000-015-LL-E-L-AAB0A	10000	20000	± 15	150	1	2050250	270	10305	20305	4551	2396
A-00-10000/20000-030-LL-E-L-AAB0A			± 30		2		375			2276	3008
A-00-10000/20000-045-LL-E-L-AAB0A			± 45		3		480			1517	3620
A-00-10000/20000-020-LL-E-L-AAB0A	10000	20000	± 20	200	1	2065312	270	10405	20405	2118	2479
A-00-10000/20000-040-LL-E-L-AAB0A			± 40		2		375			1059	3173
A-00-10000/20000-060-LL-E-L-AAB0A			± 60		3		480			706	3868

Axial, rectangular metallic expansion joint

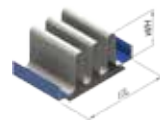
Compensator Properties	Design Temperature	≤ 530 °C
	Design Pressure	100 mbar
	Bellow Material	1.5415
	Corner Type	Double Miter
	Connection	Angle Flange
	Connection Material	1.5415
Profile WH 80mm	L60x6	
Profile WH 150/200mm	L80x8	
Cycles	≥ 1000	



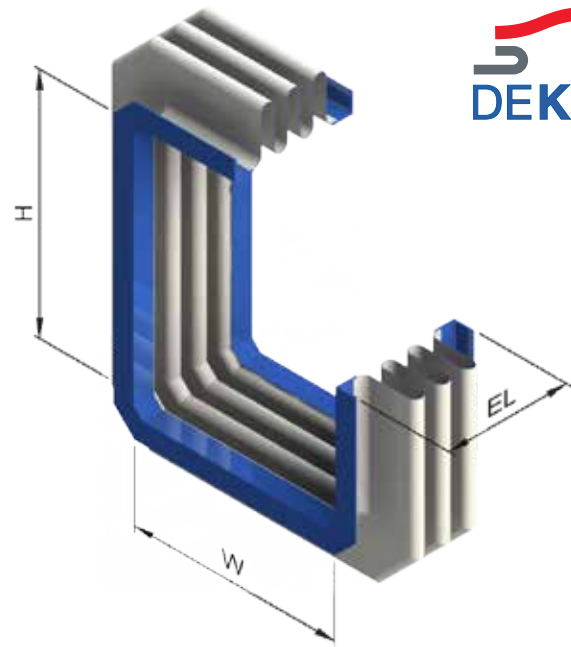
1 convolution



2 convolutions



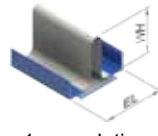
3 convolutions



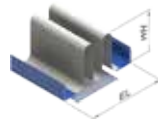
DEKOMTE Article Number	Clear Opening		Maximum Movement	Convolution Height WH	Number of Convolutions	Effective Area	Installation Length EL	Overall Dimension		Axial Adjustment Force	Weight
	Width W	Height H						Width	Height H		
	[mm]	[mm]						[mm]	[mm]		
A-00-00300/00300-006-LL-E-SSSO	300	300	± 6	80	1	1416	200	465	465	684	26
A-00-00300/00300-013-LL-E-SSSO			± 13		2		270			342	31
A-00-00300/00300-019-LL-E-SSSO			± 19		3		340			228	36
A-00-00300/00600-006-LL-E-SSSO	300	600	± 6	80	1	2597	200	465	765	955	37
A-00-00300/00600-013-LL-E-SSSO			± 13		2		270			477	44
A-00-00300/00600-019-LL-E-SSSO			± 19		3		340			318	51
A-00-00400/00400-006-LL-E-SSSO	400	400	± 6	80	1	2303	200	565	565	865	33
A-00-00400/00400-013-LL-E-SSSO			± 13		2		270			432	40
A-00-00400/00400-019-LL-E-SSSO			± 19		3		340			288	46
A-00-00400/00800-006-LL-E-SSSO	400	800	± 6	80	1	4277	200	565	965	1225	48
A-00-00400/00800-013-LL-E-SSSO			± 13		2		270			612	57
A-00-00400/00800-019-LL-E-SSSO			± 19		3		340			408	66
A-00-00500/00500-006-LL-E-SSSO	500	500	± 6	80	1	3390	200	665	665	1045	41
A-00-00500/00500-013-LL-E-SSSO			± 13		2		270			522	48
A-00-00500/00500-019-LL-E-SSSO			± 19		3		340			348	56
A-00-00500/00500-015-LL-E-SSSO	500	500	± 15	150	1	4175	270	805	805	195	70
A-00-00500/00500-030-LL-E-SSSO			± 30		2		375			98	84
A-00-00500/00500-045-LL-E-SSSO			± 45		3		480			65	98
A-00-00500/00500-020-LL-E-SSSO	500	500	± 20	200	1	4737	270	905	905	98	75
A-00-00500/00500-040-LL-E-SSSO			± 40		2		375			49	94
A-00-00500/00500-060-LL-E-SSSO			± 60		3		480			33	112
A-00-00500/01000-006-LL-E-SSSO	500	1000	± 6	80	1	6358	200	665	1165	1495	59
A-00-00500/01000-013-LL-E-SSSO			± 13		2		270			747	70
A-00-00500/01000-019-LL-E-SSSO			± 19		3		340			498	81
A-00-00500/01000-015-LL-E-SSSO	500	1000	± 15	150	1	7513	270	805	1305	270	100
A-00-00500/01000-030-LL-E-SSSO			± 30		2		375			135	120
A-00-00500/01000-045-LL-E-SSSO			± 45		3		480			90	139
A-00-00500/01000-020-LL-E-SSSO	500	1000	± 20	200	1	8325	270	905	1405	132	106
A-00-00500/01000-040-LL-E-SSSO			± 40		2		375			66	132
A-00-00500/01000-060-LL-E-SSSO			± 60		3		480			44	157

Axial, rectangular metallic expansion joint

Compensator Properties	Design Temperature	≤ 530 °C
	Design Pressure	100 mbar
	Bellow Material	1.5415
	Corner Type	Double Miter
	Connection	Angle Flange
	Connection Material	1.5415
Profile WH 80mm	L60x6	
Profile WH 150/200mm	L80x8	
Cycles	≥ 1000	



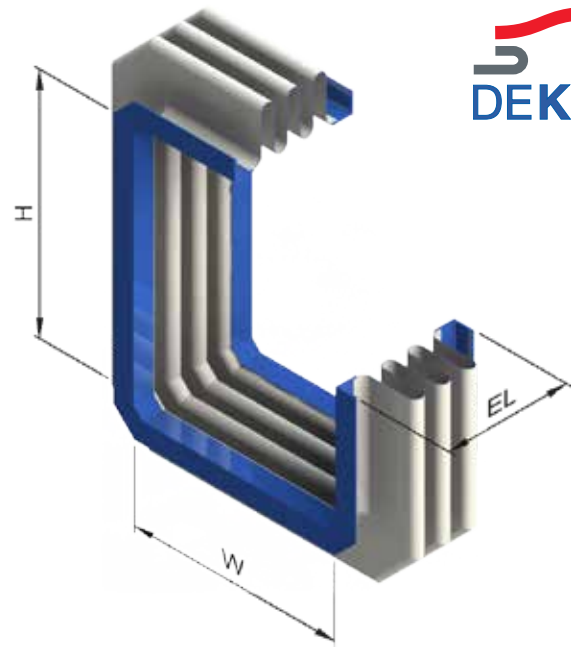
1 convolution



2 convolutions



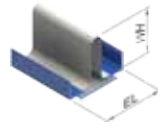
3 convolutions



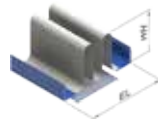
DEKOMTE Article Number	Clear Opening		Maximum Movement	Convolution Height WH	Number of Convolutions	Effective Area	Installation Length EL	Overall Dimension		Axial Adjustment Force	Weight
	Width W	Height H						Width	Height H		
	[mm]	[mm]						[mm]	[mm]		
A-00-00600/00600-006-LL-E-SSSO	600	600	± 6	80	1	4677	200	765	765	1225	48
A-00-00600/00600-013-LL-E-SSSO			± 13		2		270			612	57
A-00-00600/00600-019-LL-E-SSSO			± 19		3		340			408	66
A-00-00600/00600-015-LL-E-SSSO	600	600	± 15	150	1	5610	270	905	905	225	82
A-00-00600/00600-030-LL-E-SSSO			± 30		2		375			113	98
A-00-00600/00600-045-LL-E-SSSO			± 45		3		480			75	114
A-00-00600/00600-020-LL-E-SSSO	600	600	± 20	200	1	6272	270	1005	1005	111	87
A-00-00600/00600-040-LL-E-SSSO			± 40		2		375			56	109
A-00-00600/00600-060-LL-E-SSSO			± 60		3		480			37	130
A-00-00600/01200-006-LL-E-SSSO	600	1200	± 6	80	1	8838	200	765	1365	1765	70
A-00-00600/01200-013-LL-E-SSSO			± 13		2		270			883	83
A-00-00600/01200-019-LL-E-SSSO			± 19		3		340			588	96
A-00-00600/01200-015-LL-E-SSSO	600	1200	± 15	150	1	10215	270	905	1505	315	118
A-00-00600/01200-030-LL-E-SSSO			± 30		2		375			158	141
A-00-00600/01200-045-LL-E-SSSO			± 45		3		480			105	164
A-00-00600/01200-020-LL-E-SSSO	600	1200	± 20	200	1	11177	270	1005	1605	153	125
A-00-00600/01200-040-LL-E-SSSO			± 40		2		375			77	155
A-00-00600/01200-060-LL-E-SSSO			± 60		3		480			51	184
A-00-00700/00700-006-LL-E-SSSO	700	700	± 6	80	1	6164	200	865	865	1405	55
A-00-00700/00700-013-LL-E-SSSO			± 13		2		270			702	66
A-00-00700/00700-019-LL-E-SSSO			± 19		3		340			468	76
A-00-00700/00700-015-LL-E-SSSO	700	700	± 15	150	1	7245	270	1005	1005	255	94
A-00-00700/00700-030-LL-E-SSSO			± 30		2		375			128	112
A-00-00700/00700-045-LL-E-SSSO			± 45		3		480			85	131
A-00-00700/00700-020-LL-E-SSSO	700	700	± 20	200	1	8007	270	1105	1105	125	100
A-00-00700/00700-040-LL-E-SSSO			± 40		2		375			63	124
A-00-00700/00700-060-LL-E-SSSO			± 60		3		480			42	148
A-00-00700/01400-006-LL-E-SSSO	700	1400	± 6	80	1	11719	200	865	1565	2035	81
A-00-00700/01400-013-LL-E-SSSO			± 13		2		270			1018	96
A-00-00700/01400-019-LL-E-SSSO			± 19		3		340			678	111

Axial, rectangular metallic expansion joint

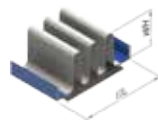
Compensator Properties	Design Temperature	≤ 530 °C
	Design Pressure	100 mbar
	Bellow Material	1.5415
	Corner Type	Double Miter
	Connection	Angle Flange
	Connection Material	1.5415
Profile WH 80mm	L60x6	
Profile WH 150/200mm	L80x8	
Cycles	≥ 1000	



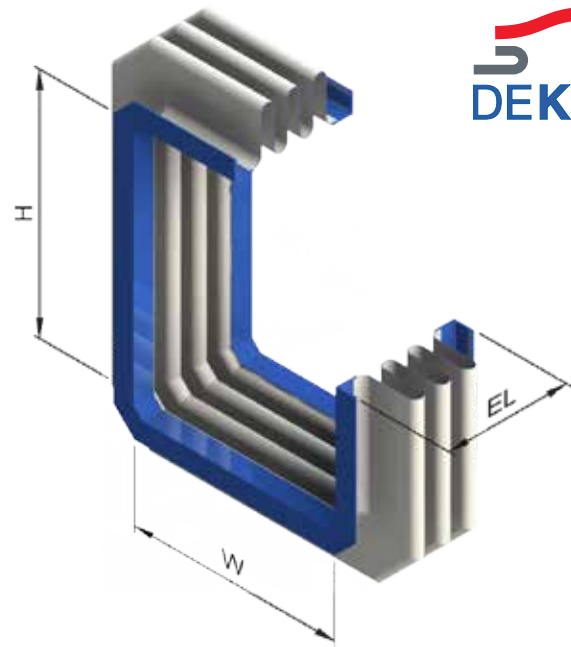
1 convolution



2 convolutions



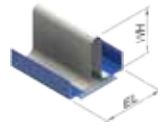
3 convolutions



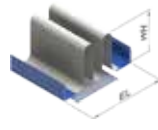
DEKOMTE Article Number	Clear Opening		Maximum Movement	Convolution Height WH	Number of Convolutions	Effective Area	Installation Length EL	Overall Dimension		Axial Adjustment Force	Weight
	Width W	Height H						Width	Height H		
	[mm]	[mm]						[mm]	[mm]		
A-00-00700/01400-015-LL-E-SSSO	700	1400	± 15	150	1	13318	270	1005	1705	360	136
A-00-00700/01400-030-LL-E-SSSO			± 30		2		375			180	162
A-00-00700/01400-045-LL-E-SSSO			± 45		3		480			120	188
A-00-00700/01400-020-LL-E-SSSO	700	1400	± 20	200	1	14430	270	1105	1805	174	144
A-00-00700/01400-040-LL-E-SSSO			± 40		2		375			87	178
A-00-00700/01400-060-LL-E-SSSO			± 60		3		480			58	211
A-00-00800/00800-006-LL-E-SSSO	800	800	± 6	80	1	7851	200	965	965	1585	63
A-00-00800/00800-013-LL-E-SSSO			± 13		2		270			792	74
A-00-00800/00800-019-LL-E-SSSO			± 19		3		340			528	86
A-00-00800/00800-015-LL-E-SSSO	800	800	± 15	150	1	9080	270	1105	1105	285	106
A-00-00800/00800-030-LL-E-SSSO			± 30		2		375			143	127
A-00-00800/00800-045-LL-E-SSSO			± 45		3		480			95	147
A-00-00800/00800-020-LL-E-SSSO	800	800	± 20	200	1	9942	270	1205	1205	139	112
A-00-00800/00800-040-LL-E-SSSO			± 40		2		375			70	139
A-00-00800/00800-060-LL-E-SSSO			± 60		3		480			46	166
A-00-00800/01600-006-LL-E-SSSO	800	1600	± 6	80	1	14999	200	965	1765	2305	92
A-00-00800/01600-013-LL-E-SSSO			± 13		2		270			1153	109
A-00-00800/01600-019-LL-E-SSSO			± 19		3		340			768	126
A-00-00800/01600-015-LL-E-SSSO	800	1600	± 15	150	1	16820	270	1105	1905	406	154
A-00-00800/01600-030-LL-E-SSSO			± 30		2		375			203	183
A-00-00800/01600-045-LL-E-SSSO			± 45		3		480			135	213
A-00-00800/01600-020-LL-E-SSSO	800	1600	± 20	200	1	18082	270	1205	2005	195	163
A-00-00800/01600-040-LL-E-SSSO			± 40		2		375			98	201
A-00-00800/01600-060-LL-E-SSSO			± 60		3		480			65	238
A-00-00900/00900-006-LL-E-SSSO	900	900	± 6	80	1	9738	200	1065	1065	1765	70
A-00-00900/00900-013-LL-E-SSSO			± 13		2		270			883	83
A-00-00900/00900-019-LL-E-SSSO			± 19		3		340			588	96
A-00-00900/00900-015-LL-E-SSSO	900	900	± 15	150	1	11115	270	1205	1205	315	118
A-00-00900/00900-030-LL-E-SSSO			± 30		2		375			158	141
A-00-00900/00900-045-LL-E-SSSO			± 45		3		480			105	164

Axial, rectangular metallic expansion joint

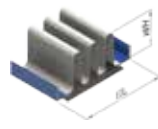
Compensator Properties	Design Temperature	≤ 530 °C
	Design Pressure	100 mbar
	Bellow Material	1.5415
	Corner Type	Double Miter
	Connection	Angle Flange
	Connection Material	1.5415
	Profile WH 80mm	L60x6
Profile WH 150/200mm	L80x8	
Cycles	≥ 1000	



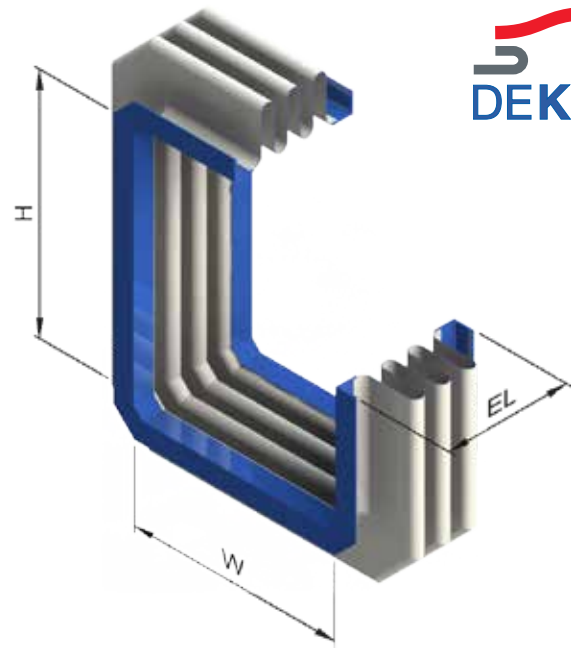
1 convolution



2 convolutions



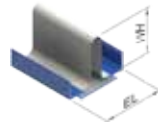
3 convolutions



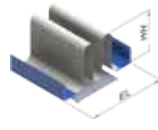
DEKOMTE Article Number	Clear Opening		Maximum Movement	Convolution Height WH	Number of Convolutions	Effective Area	Installation Length EL	Overall Dimension		Axial Adjustment Force	Weight
	Width W	Height H						Width	Height H		
	[mm]	[mm]						[mm]	[mm]		
A-00-00900/00900-020-LL-E-SSSO	900	900	± 20	200	1	12077	270	1305	1305	153	125
A-00-00900/00900-040-LL-E-SSSO			± 40		2		375			77	155
A-00-00900/00900-060-LL-E-SSSO			± 60		3		480			51	184
A-00-00900/01800-006-LL-E-SSSO	900	1800	± 6	80	1	18680	200	1065	1965	2576	103
A-00-00900/01800-013-LL-E-SSSO			± 13		2		270			1288	122
A-00-00900/01800-019-LL-E-SSSO			± 19		3		340			859	141
A-00-00900/01800-015-LL-E-SSSO	900	1800	± 15	150	1	20723	270	1205	2105	451	172
A-00-00900/01800-030-LL-E-SSSO			± 30		2		375			225	205
A-00-00900/01800-045-LL-E-SSSO			± 45		3		480			150	238
A-00-00900/01800-020-LL-E-SSSO	900	1800	± 20	200	1	22135	270	1305	2205	216	181
A-00-00900/01800-040-LL-E-SSSO			± 40		2		375			108	223
A-00-00900/01800-060-LL-E-SSSO			± 60		3		480			72	266
A-00-01000/01000-006-LL-E-SSSO	1000	1000	± 6	80	1	11825	200	1165	1165	1945	77
A-00-01000/01000-013-LL-E-SSSO			± 13		2		270			973	92
A-00-01000/01000-019-LL-E-SSSO			± 19		3		340			648	106
A-00-01000/01000-015-LL-E-SSSO	1000	1000	± 15	150	1	13350	270	1305	1305	345	130
A-00-01000/01000-030-LL-E-SSSO			± 30		2		375			173	155
A-00-01000/01000-045-LL-E-SSSO			± 45		3		480			115	180
A-00-01000/01000-020-LL-E-SSSO	1000	1000	± 20	200	1	14412	270	1405	1405	167	137
A-00-01000/01000-040-LL-E-SSSO			± 40		2		375			84	170
A-00-01000/01000-060-LL-E-SSSO			± 60		3		480			56	202
A-00-01000/02000-006-LL-E-SSSO	1000	2000	± 6	80	1	22760	200	1165	2165	2846	114
A-00-01000/02000-013-LL-E-SSSO			± 13		2		270			1423	135
A-00-01000/02000-019-LL-E-SSSO			± 19		3		340			949	157
A-00-01000/02000-015-LL-E-SSSO	1000	2000	± 15	150	1	25025	270	1305	2305	496	190
A-00-01000/02000-030-LL-E-SSSO			± 30		2		375			248	226
A-00-01000/02000-045-LL-E-SSSO			± 45		3		480			165	262
A-00-01000/02000-020-LL-E-SSSO	1000	2000	± 20	200	1	26587	270	1405	2405	237	200
A-00-01000/02000-040-LL-E-SSSO			± 40		2		375			118	246
A-00-01000/02000-060-LL-E-SSSO			± 60		3		480			79	293

Axial, rectangular metallic expansion joint

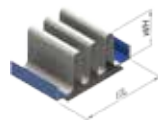
Compensator Properties	Design Temperature	≤ 530 °C
	Design Pressure	100 mbar
	Bellow Material	1.5415
	Corner Type	Double Miter
	Connection	Angle Flange
	Connection Material	1.5415
	Profile WH 80mm	L60x6
Profile WH 150/200mm	L80x8	
Cycles	≥ 1000	



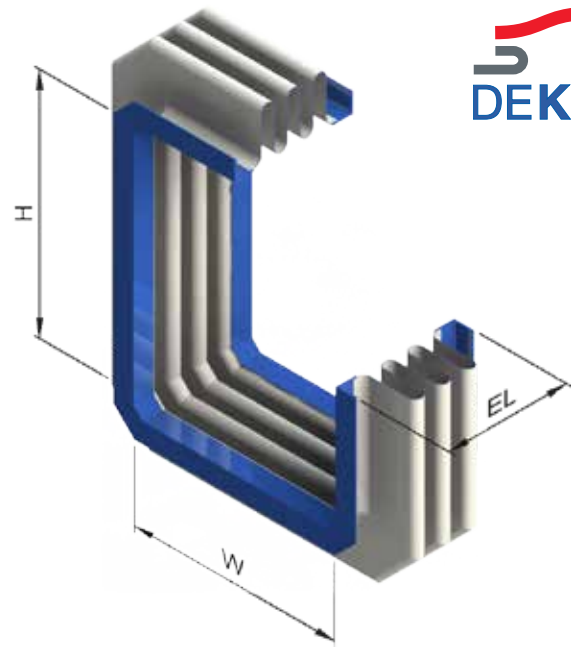
1 convolution



2 convolutions



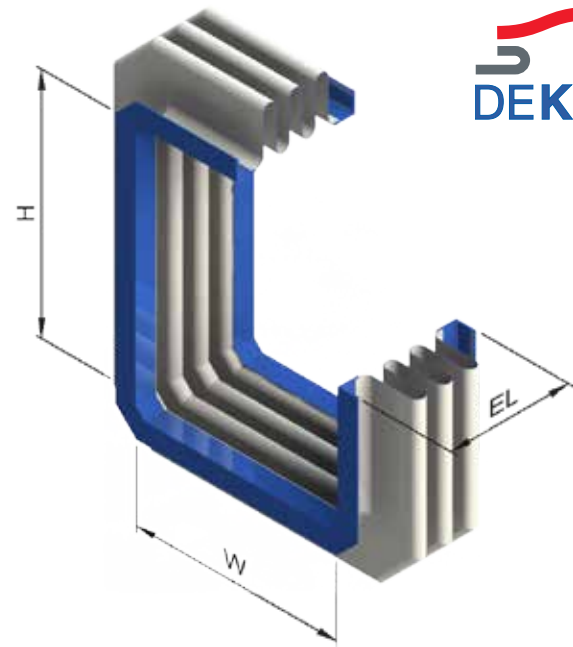
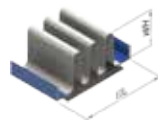
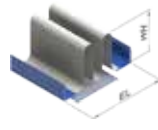
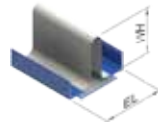
3 convolutions



DEKOMTE Article Number	Clear Opening		Maximum Movement	Convolution Height WH	Number of Convolutions	Effective Area	Installation Length EL	Overall Dimension		Axial Adjustment Force	Weight
	Width W	Height H						Width	Height H		
	[mm]	[mm]						[mm]	[mm]		
A-00-01200/01200-006-LL-E-SSSO	1200	1200	± 6	80	1	16599	200	1365	1365	2305	92
A-00-01200/01200-013-LL-E-SSSO			± 13		2		270			1153	109
A-00-01200/01200-019-LL-E-SSSO			± 19		3		340			768	126
A-00-01200/01200-015-LL-E-SSSO	1200	1200	± 15	150	1	18420	270	1505	1505	406	154
A-00-01200/01200-030-LL-E-SSSO			± 30		2		375			203	183
A-00-01200/01200-045-LL-E-SSSO			± 45		3		480			135	213
A-00-01200/01200-020-LL-E-SSSO	1200	1200	± 20	200	1	19682	270	1605	1605	195	163
A-00-01200/01200-040-LL-E-SSSO			± 40		2		375			98	201
A-00-01200/01200-060-LL-E-SSSO			± 60		3		480			65	238
A-00-01200/02400-006-LL-E-SSSO	1200	2400	± 6	80	1	32121	200	1365	2565	3386	136
A-00-01200/02400-013-LL-E-SSSO			± 13		2		270			1693	161
A-00-01200/02400-019-LL-E-SSSO			± 19		3		340			1129	187
A-00-01200/02400-015-LL-E-SSSO	1200	2400	± 15	150	1	34830	270	1505	2705	586	226
A-00-01200/02400-030-LL-E-SSSO			± 30		2		375			293	269
A-00-01200/02400-045-LL-E-SSSO			± 45		3		480			195	311
A-00-01200/02400-020-LL-E-SSSO	1200	2400	± 20	200	1	36692	270	1605	2805	279	238
A-00-01200/02400-040-LL-E-SSSO			± 40		2		375			139	292
A-00-01200/02400-060-LL-E-SSSO			± 60		3		480			93	347
A-00-01400/01400-006-LL-E-SSSO	1400	1400	± 6	80	1	22173	200	1565	1565	2666	107
A-00-01400/01400-013-LL-E-SSSO			± 13		2		270			1333	127
A-00-01400/01400-019-LL-E-SSSO			± 19		3		340			889	146
A-00-01400/01400-015-LL-E-SSSO	1400	1400	± 15	150	1	24290	270	1705	1705	466	178
A-00-01400/01400-030-LL-E-SSSO			± 30		2		375			233	212
A-00-01400/01400-045-LL-E-SSSO			± 45		3		480			155	246
A-00-01400/01400-020-LL-E-SSSO	1400	1400	± 20	200	1	25752	270	1805	1805	223	188
A-00-01400/01400-040-LL-E-SSSO			± 40		2		375			111	231
A-00-01400/01400-060-LL-E-SSSO			± 60		3		480			74	275
A-00-01400/02800-006-LL-E-SSSO	1400	2800	± 6	80	1	43082	200	1565	2965	3926	158
A-00-01400/02800-013-LL-E-SSSO			± 13		2		270			1963	187
A-00-01400/02800-019-LL-E-SSSO			± 19		3		340			1309	217

Axial, rectangular metallic expansion joint

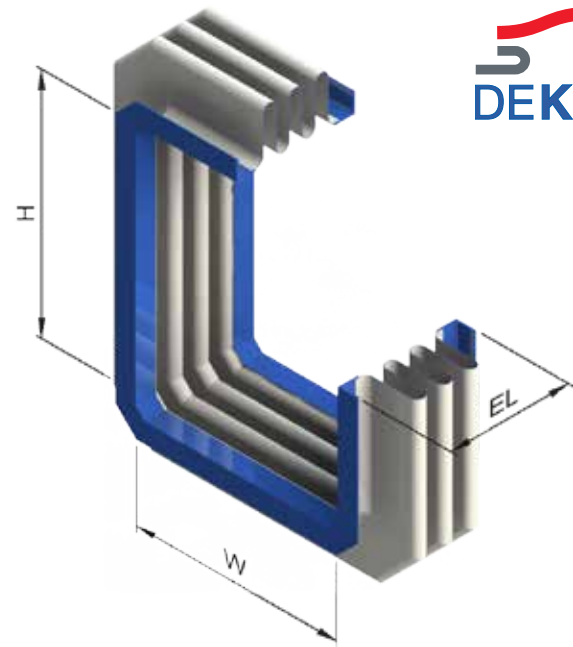
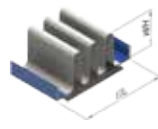
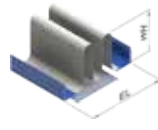
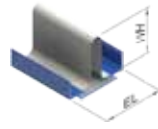
Compensator Properties	Design Temperature	≤ 530 °C
	Design Pressure	100 mbar
	Bellow Material	1.5415
	Corner Type	Double Miter
	Connection	Angle Flange
	Connection Material	1.5415
Profile WH 80mm	L60x6	
Profile WH 150/200mm	L80x8	
Cycles	≥ 1000	



DEKOMTE Article Number	Clear Opening		Maximum Movement	Convolution Height WH	Number of Convolutions	Effective Area	Installation Length EL	Overall Dimension		Axial Adjustment Force	Weight
	Width W	Height H						Width	Height H		
	[mm]	[mm]						[mm]	[mm]		
A-00-01400/02800-015-LL-E-SSSO	1400	2800	± 15	150	1	46235	270	1705	3105	676	262
A-00-01400/02800-030-LL-E-SSSO			± 30		2		375			338	311
A-00-01400/02800-045-LL-E-SSSO			± 45		3		480			225	361
A-00-01400/02800-020-LL-E-SSSO	1400	2800	± 20	200	1	48397	270	1805	3205	320	275
A-00-01400/02800-040-LL-E-SSSO			± 40		2		375			160	338
A-00-01400/02800-060-LL-E-SSSO			± 60		3		480			107	401
A-00-01600/01600-006-LL-E-SSSO	1600	1600	± 6	80	1	28547	200	1765	1765	3026	121
A-00-01600/01600-013-LL-E-SSSO			± 13		2		270			1513	144
A-00-01600/01600-019-LL-E-SSSO			± 19		3		340			1009	167
A-00-01600/01600-015-LL-E-SSSO	1600	1600	± 15	150	1	30960	270	1905	1905	526	202
A-00-01600/01600-030-LL-E-SSSO			± 30		2		375			263	240
A-00-01600/01600-045-LL-E-SSSO			± 45		3		480			175	279
A-00-01600/01600-020-LL-E-SSSO	1600	1600	± 20	200	1	32622	270	2005	2005	251	213
A-00-01600/01600-040-LL-E-SSSO			± 40		2		375			125	262
A-00-01600/01600-060-LL-E-SSSO			± 60		3		480			84	311
A-00-01600/03200-006-LL-E-SSSO	1600	3200	± 6	80	1	55643	200	1765	3365	4467	180
A-00-01600/03200-013-LL-E-SSSO			± 13		2		270			2233	213
A-00-01600/03200-019-LL-E-SSSO			± 19		3		340			1489	247
A-00-01600/03200-015-LL-E-SSSO	1600	3200	± 15	150	1	59240	270	1905	3505	766	298
A-00-01600/03200-030-LL-E-SSSO			± 30		2		375			383	354
A-00-01600/03200-045-LL-E-SSSO			± 45		3		480			255	410
A-00-01600/03200-020-LL-E-SSSO	1600	3200	± 20	200	1	61702	270	2005	3605	362	313
A-00-01600/03200-040-LL-E-SSSO			± 40		2		375			181	384
A-00-01600/03200-060-LL-E-SSSO			± 60		3		480			121	455
A-00-01800/01800-006-LL-E-SSSO	1800	1800	± 6	80	1	35721	200	1965	1965	3386	136
A-00-01800/01800-013-LL-E-SSSO			± 13		2		270			1693	161
A-00-01800/01800-019-LL-E-SSSO			± 19		3		340			1129	187
A-00-01800/01800-015-LL-E-SSSO	1800	1800	± 15	150	1	38430	270	2105	2105	586	226
A-00-01800/01800-030-LL-E-SSSO			± 30		2		375			293	269
A-00-01800/01800-045-LL-E-SSSO			± 45		3		480			195	311

Axial, rectangular metallic expansion joint

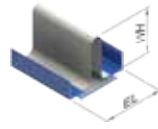
Compensator Properties	Design Temperature	≤ 530 °C
	Design Pressure	100 mbar
	Bellow Material	1.5415
	Corner Type	Double Miter
	Connection	Angle Flange
	Connection Material	1.5415
	Profile WH 80mm	L60x6
Profile WH 150/200mm	L80x8	
Cycles	≥ 1000	



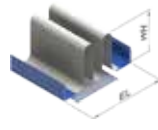
DEKOMTE Article Number	Clear Opening		Maximum Movement	Convolution Height WH	Number of Convolutions	Effective Area	Installation Length EL	Overall Dimension		Axial Adjustment Force	Weight
	Width W	Height H						Width	Height H		
	[mm]	[mm]						[mm]	[mm]		
A-00-01800/01800-020-LL-E-SSSO	1800	1800	± 20	200	1	40292	270	2205	2205	279	238
A-00-01800/01800-040-LL-E-SSSO			± 40		2		375			139	292
A-00-01800/01800-060-LL-E-SSSO			± 60		3		480			93	347
A-00-01800/03600-006-LL-E-SSSO	1800	3600	± 6	80	1	69804	200	1965	3765	5007	202
A-00-01800/03600-013-LL-E-SSSO			± 13		2		270			2504	240
A-00-01800/03600-019-LL-E-SSSO			± 19		3		340			1669	277
A-00-01800/03600-015-LL-E-SSSO	1800	3600	± 15	150	1	73845	270	2105	3905	856	334
A-00-01800/03600-030-LL-E-SSSO			± 30		2		375			428	396
A-00-01800/03600-045-LL-E-SSSO			± 45		3		480			285	459
A-00-01800/03600-020-LL-E-SSSO	1800	3600	± 20	200	1	76607	270	2205	4005	404	350
A-00-01800/03600-040-LL-E-SSSO			± 40		2		375			202	430
A-00-01800/03600-060-LL-E-SSSO			± 60		3		480			135	509
A-00-02000/02000-006-LL-E-SSSO	2000	2000	± 6	80	1	43695	200	2165	2165	3746	151
A-00-02000/02000-013-LL-E-SSSO			± 13		2		270			1873	179
A-00-02000/02000-019-LL-E-SSSO			± 19		3		340			1249	207
A-00-02000/02000-015-LL-E-SSSO	2000	2000	± 15	150	1	46700	270	2305	2305	646	250
A-00-02000/02000-030-LL-E-SSSO			± 30		2		375			323	297
A-00-02000/02000-045-LL-E-SSSO			± 45		3		480			215	344
A-00-02000/02000-020-LL-E-SSSO	2000	2000	± 20	200	1	48762	270	2405	2405	307	263
A-00-02000/02000-040-LL-E-SSSO			± 40		2		375			153	323
A-00-02000/02000-060-LL-E-SSSO			± 60		3		480			102	383
A-00-02000/04000-006-LL-E-SSSO	2000	4000	± 6	80	1	85565	200	2165	4165	5547	224
A-00-02000/04000-013-LL-E-SSSO			± 13		2		270			2774	266
A-00-02000/04000-019-LL-E-SSSO			± 19		3		340			1849	307
A-00-02000/04000-015-LL-E-SSSO	2000	4000	± 15	150	1	90050	270	2305	4305	946	370
A-00-02000/04000-030-LL-E-SSSO			± 30		2		375			473	439
A-00-02000/04000-045-LL-E-SSSO			± 45		3		480			315	508
A-00-02000/04000-020-LL-E-SSSO	2000	4000	± 20	200	1	93112	270	2405	4405	446	388
A-00-02000/04000-040-LL-E-SSSO			± 40		2		375			223	475
A-00-02000/04000-060-LL-E-SSSO			± 60		3		480			149	563

Axial, rectangular metallic expansion joint

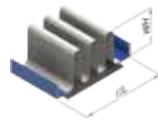
Compensator Properties	Design Temperature	≤ 530 °C
	Design Pressure	100 mbar
	Bellow Material	1.5415
	Corner Type	Double Miter
	Connection	Angle Flange
	Connection Material	1.5415
	Profile WH 80mm	L60x6
Profile WH 150/200mm	L80x8	
Cycles	≥ 1000	



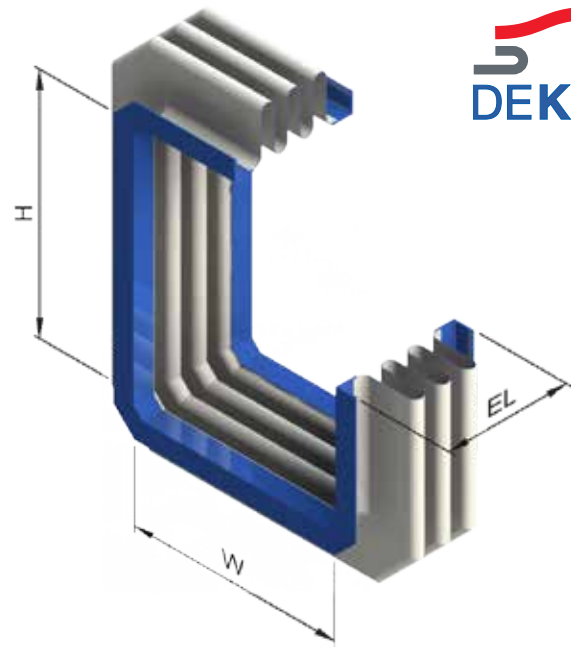
1 convolution



2 convolutions



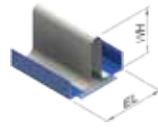
3 convolutions



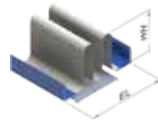
DEKOMTE Article Number	Clear Opening		Maximum Movement	Convolution Height WH	Number of Convolutions	Effective Area	Installation Length EL	Overall Dimension		Axial Adjustment Force	Weight
	Width W	Height H						Width	Height H		
	[mm]	[mm]						[mm]	[mm]		
A-00-02200/02200-015-LL-E-SSSO	2200	2200	± 15	150	1	55770	270	2505	2505	706	274
A-00-02200/02200-030-LL-E-SSSO			± 30		2		375			353	325
A-00-02200/02200-045-LL-E-SSSO			± 45		3		480			235	377
A-00-02200/02200-020-LL-E-SSSO	2200	2200	± 20	200	1	58032	270	2605	2605	334	288
A-00-02200/02200-040-LL-E-SSSO			± 40		2		375			167	353
A-00-02200/02200-060-LL-E-SSSO			± 60		3		480			111	419
A-00-02200/04400-015-LL-E-SSSO	2200	4400	± 15	150	1	107855	270	2505	4705	1036	406
A-00-02200/04400-030-LL-E-SSSO			± 30		2		375			518	481
A-00-02200/04400-045-LL-E-SSSO			± 45		3		480			345	557
A-00-02200/04400-020-LL-E-SSSO	2200	4400	± 20	200	1	111217	270	2605	4805	488	425
A-00-02200/04400-040-LL-E-SSSO			± 40		2		375			244	521
A-00-02200/04400-060-LL-E-SSSO			± 60		3		480			163	617
A-00-02400/02400-015-LL-E-SSSO	2400	2400	± 15	150	1	65640	270	2705	2705	766	298
A-00-02400/02400-030-LL-E-SSSO			± 30		2		375			383	354
A-00-02400/02400-045-LL-E-SSSO			± 45		3		480			255	410
A-00-02400/02400-020-LL-E-SSSO	2400	2400	± 20	200	1	68102	270	2805	2805	362	313
A-00-02400/02400-040-LL-E-SSSO			± 40		2		375			181	384
A-00-02400/02400-060-LL-E-SSSO			± 60		3		480			121	455
A-00-02400/04800-015-LL-E-SSSO	2400	4800	± 15	150	1	127260	270	2705	5105	1127	441
A-00-02400/04800-030-LL-E-SSSO			± 30		2		375			563	524
A-00-02400/04800-045-LL-E-SSSO			± 45		3		480			376	607
A-00-02400/04800-020-LL-E-SSSO	2400	4800	± 20	200	1	130922	270	2805	5205	529	463
A-00-02400/04800-040-LL-E-SSSO			± 40		2		375			265	567
A-00-02400/04800-060-LL-E-SSSO			± 60		3		480			176	671
A-00-02600/02600-015-LL-E-SSSO	2600	2600	± 15	150	1	76310	270	2905	2905	826	322
A-00-02600/02600-030-LL-E-SSSO			± 30		2		375			413	382
A-00-02600/02600-045-LL-E-SSSO			± 45		3		480			275	443
A-00-02600/02600-020-LL-E-SSSO	2600	2600	± 20	200	1	78972	270	3005	3005	390	338
A-00-02600/02600-040-LL-E-SSSO			± 40		2		375			195	414
A-00-02600/02600-060-LL-E-SSSO			± 60		3		480			130	491

Axial, rectangular metallic expansion joint

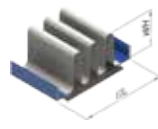
Compensator Properties	Design Temperature	≤ 530 °C
	Design Pressure	100 mbar
	Bellow Material	1.5415
	Corner Type	Double Miter
	Connection	Angle Flange
	Connection Material	1.5415
	Profile WH 80mm	L60x6
Profile WH 150/200mm	L80x8	
Cycles	≥ 1000	



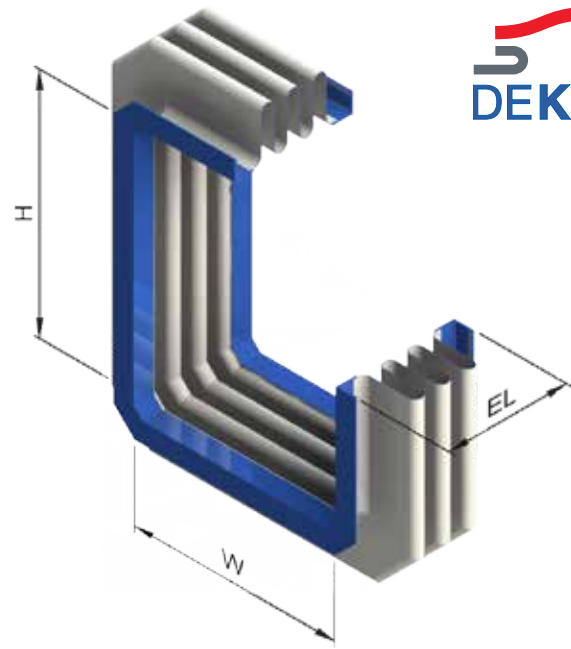
1 convolution



2 convolutions



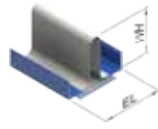
3 convolutions



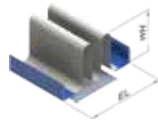
DEKOMTE Article Number	Clear Opening		Maximum Movement	Convolution Height WH	Number of Convolutions	Effective Area	Installation Length EL	Overall Dimension		Axial Adjustment Force	Weight
	Width W	Height H						Width	Height H		
	[mm]	[mm]						[mm]	[mm]		
A-00-02600/05200-015-LL-E-SSSO	2600	5200	± 15	150	1	148265	270	2905	5505	1217	477
A-00-02600/05200-030-LL-E-SSSO			± 30		2		375			608	567
A-00-02600/05200-045-LL-E-SSSO			± 45		3		480			406	656
A-00-02600/05200-020-LL-E-SSSO	2600	5200	± 20	200	1	152227	270	3005	5605	571	501
A-00-02600/05200-040-LL-E-SSSO			± 40		2		375			286	613
A-00-02600/05200-060-LL-E-SSSO			± 60		3		480			190	725
A-00-02800/02800-015-LL-E-SSSO	2800	2800	± 15	150	1	87780	270	3105	3105	886	346
A-00-02800/02800-030-LL-E-SSSO			± 30		2		375			443	411
A-00-02800/02800-045-LL-E-SSSO			± 45		3		480			295	475
A-00-02800/02800-020-LL-E-SSSO	2800	2800	± 20	200	1	90642	270	3205	3205	418	363
A-00-02800/02800-040-LL-E-SSSO			± 40		2		375			209	445
A-00-02800/02800-060-LL-E-SSSO			± 60		3		480			139	527
A-00-02800/05600-015-LL-E-SSSO	2800	5600	± 15	150	1	170870	270	3105	5905	1307	513
A-00-02800/05600-030-LL-E-SSSO			± 30		2		375			653	609
A-00-02800/05600-045-LL-E-SSSO			± 45		3		480			436	705
A-00-02800/05600-020-LL-E-SSSO	2800	5600	± 20	200	1	175132	270	3205	6005	613	538
A-00-02800/05600-040-LL-E-SSSO			± 40		2		375			307	659
A-00-02800/05600-060-LL-E-SSSO			± 60		3		480			204	779
A-00-03000/03000-015-LL-E-SSSO	3000	3000	± 15	150	1	100050	270	3305	3305	946	370
A-00-03000/03000-030-LL-E-SSSO			± 30		2		375			473	439
A-00-03000/03000-045-LL-E-SSSO			± 45		3		480			315	508
A-00-03000/03000-020-LL-E-SSSO	3000	3000	± 20	200	1	103112	270	3405	3405	446	388
A-00-03000/03000-040-LL-E-SSSO			± 40		2		375			223	475
A-00-03000/03000-060-LL-E-SSSO			± 60		3		480			149	563
A-00-03000/06000-015-LL-E-SSSO	3000	6000	± 15	150	1	195075	270	3305	6305	1397	549
A-00-03000/06000-030-LL-E-SSSO			± 30		2		375			698	652
A-00-03000/06000-045-LL-E-SSSO			± 45		3		480			466	754
A-00-03000/06000-020-LL-E-SSSO	3000	6000	± 20	200	1	199637	270	3405	6405	655	576
A-00-03000/06000-040-LL-E-SSSO			± 40		2		375			327	704
A-00-03000/06000-060-LL-E-SSSO			± 60		3		480			218	833

Axial, rectangular metallic expansion joint

Compensator Properties	Design Temperature	≤ 530 °C
	Design Pressure	100 mbar
	Bellow Material	1.5415
	Corner Type	Double Miter
	Connection	Angle Flange
	Connection Material	1.5415
	Profile WH 80mm	L60x6
Profile WH 150/200mm	L80x8	
Cycles	≥ 1000	



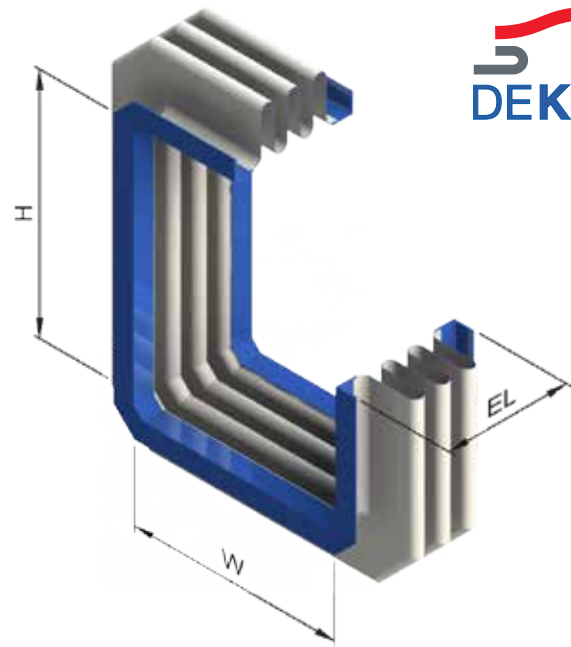
1 convolution



2 convolutions



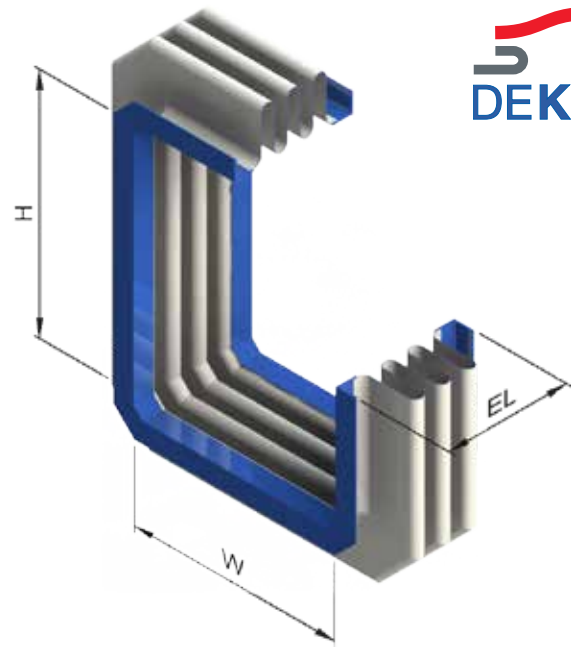
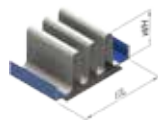
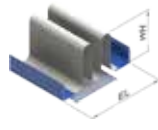
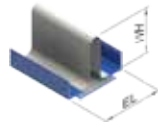
3 convolutions



DEKOMTE Article Number	Clear Opening		Maximum Movement	Convolution Height WH	Number of Convolutions	Effective Area	Installation Length EL	Overall Dimension		Axial Adjustment Force	Weight
	Width W	Height H						Width	Height H		
	[mm]	[mm]						[mm]	[mm]		
A-00-03500/03500-015-LL-E-SSSO	3500	3500	± 15	150	1	134225	270	3805	3805	1096	429
A-00-03500/03500-030-LL-E-SSSO			± 30		2		375			548	510
A-00-03500/03500-045-LL-E-SSSO			± 45		3		480			365	590
A-00-03500/03500-020-LL-E-SSSO	3500	3500	± 20	200	1	137787	270	3905	3905	516	450
A-00-03500/03500-040-LL-E-SSSO			± 40		2		375			258	552
A-00-03500/03500-060-LL-E-SSSO			± 60		3		480			172	653
A-00-03500/07000-015-LL-E-SSSO	3500	7000	± 15	150	1	262588	270	3805	7305	1622	639
A-00-03500/07000-030-LL-E-SSSO			± 30		2		375			811	758
A-00-03500/07000-045-LL-E-SSSO			± 45		3		480			541	877
A-00-03500/07000-020-LL-E-SSSO	3500	7000	± 20	200	1	267900	270	3905	7405	759	670
A-00-03500/07000-040-LL-E-SSSO			± 40		2		375			380	819
A-00-03500/07000-060-LL-E-SSSO			± 60		3		480			253	968
A-00-04000/04000-015-LL-E-SSSO	4000	4000	± 15	150	1	173400	270	4305	4305	1247	489
A-00-04000/04000-030-LL-E-SSSO			± 30		2		375			623	581
A-00-04000/04000-045-LL-E-SSSO			± 45		3		480			416	672
A-00-04000/04000-020-LL-E-SSSO	4000	4000	± 20	200	1	177462	270	4405	4405	585	513
A-00-04000/04000-040-LL-E-SSSO			± 40		2		375			293	628
A-00-04000/04000-060-LL-E-SSSO			± 60		3		480			195	743
A-00-04000/08000-015-LL-E-SSSO	4000	8000	± 15	150	1	340100	270	4305	8305	1848	729
A-00-04000/08000-030-LL-E-SSSO			± 30		2		375			924	865
A-00-04000/08000-045-LL-E-SSSO			± 45		3		480			616	1000
A-00-04000/08000-020-LL-E-SSSO	4000	8000	± 20	200	1	346162	270	4405	8405	864	763
A-00-04000/08000-040-LL-E-SSSO			± 40		2		375			432	933
A-00-04000/08000-060-LL-E-SSSO			± 60		3		480			288	1103
A-00-04500/04500-015-LL-E-SSSO	4500	4500	± 15	150	1	217575	270	4805	4805	1397	549
A-00-04500/04500-030-LL-E-SSSO			± 30		2		375			698	652
A-00-04500/04500-045-LL-E-SSSO			± 45		3		480			466	754
A-00-04500/04500-020-LL-E-SSSO	4500	4500	± 20	200	1	222137	270	4905	4905	655	576
A-00-04500/04500-040-LL-E-SSSO			± 40		2		375			327	704
A-00-04500/04500-060-LL-E-SSSO			± 60		3		480			218	833

Axial, rectangular metallic expansion joint

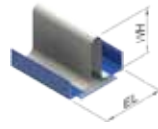
Compensator Properties	Design Temperature	≤ 530 °C
	Design Pressure	100 mbar
	Bellow Material	1.5415
	Corner Type	Double Miter
	Connection	Angle Flange
	Connection Material	1.5415
	Profile WH 80mm	L60x6
Profile WH 150/200mm	L80x8	
Cycles	≥ 1000	



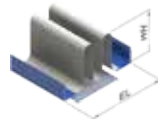
DEKOMTE Article Number	Clear Opening		Maximum Movement	Convolution Height WH	Number of Convolutions	Effective Area	Installation Length EL	Overall Dimension		Axial Adjustment Force	Weight
	Width W	Height H						Width	Height H		
	[mm]	[mm]						[mm]	[mm]		
A-00-04500/09000-015-LL-E-SSSO	4500	9000	± 15	150	1	427613	270	4805	9305	2073	819
A-00-04500/09000-030-LL-E-SSSO			± 30		2		375			1036	971
A-00-04500/09000-045-LL-E-SSSO			± 45		3		480			691	1124
A-00-04500/09000-020-LL-E-SSSO	4500	9000	± 20	200	1	434425	270	4905	9405	968	857
A-00-04500/09000-040-LL-E-SSSO			± 40		2		375			484	1048
A-00-04500/09000-060-LL-E-SSSO			± 60		3		480			323	1239
A-00-05000/05000-015-LL-E-SSSO	5000	5000	± 15	150	1	266750	270	5305	5305	1547	609
A-00-05000/05000-030-LL-E-SSSO			± 30		2		375			774	723
A-00-05000/05000-045-LL-E-SSSO			± 45		3		480			516	836
A-00-05000/05000-020-LL-E-SSSO	5000	5000	± 20	200	1	271812	270	5405	5405	725	638
A-00-05000/05000-040-LL-E-SSSO			± 40		2		375			362	781
A-00-05000/05000-060-LL-E-SSSO			± 60		3		480			242	923
A-00-05000/10000-015-LL-E-SSSO	5000	10000	± 15	150	1	525125	270	5305	10305	2298	909
A-00-05000/10000-030-LL-E-SSSO			± 30		2		375			1149	1078
A-00-05000/10000-045-LL-E-SSSO			± 45		3		480			766	1247
A-00-05000/10000-020-LL-E-SSSO	5000	10000	± 20	200	1	532687	270	5405	10405	1073	951
A-00-05000/10000-040-LL-E-SSSO			± 40		2		375			536	1162
A-00-05000/10000-060-LL-E-SSSO			± 60		3		480			358	1374
A-00-05500/05500-015-LL-E-SSSO	5500	5500	± 15	150	1	320925	270	5805	5805	1697	669
A-00-05500/05500-030-LL-E-SSSO			± 30		2		375			849	794
A-00-05500/05500-045-LL-E-SSSO			± 45		3		480			566	918
A-00-05500/05500-020-LL-E-SSSO	5500	5500	± 20	200	1	326487	270	5905	5905	794	701
A-00-05500/05500-040-LL-E-SSSO			± 40		2		375			397	857
A-00-05500/05500-060-LL-E-SSSO			± 60		3		480			265	1013
A-00-05500/11000-015-LL-E-SSSO	5500	11000	± 15	150	1	632638	270	5805	11305	2523	999
A-00-05500/11000-030-LL-E-SSSO			± 30		2		375			1262	1184
A-00-05500/11000-045-LL-E-SSSO			± 45		3		480			841	1370
A-00-05500/11000-020-LL-E-SSSO	5500	11000	± 20	200	1	640950	270	5905	11405	1177	1045
A-00-05500/11000-040-LL-E-SSSO			± 40		2		375			589	1277
A-00-05500/11000-060-LL-E-SSSO			± 60		3		480			392	1509

Axial, rectangular metallic expansion joint

Compensator Properties	Design Temperature	≤ 530 °C
	Design Pressure	100 mbar
	Bellow Material	1.5415
	Corner Type	Double Miter
	Connection	Angle Flange
	Connection Material	1.5415
Profile WH 80mm	L60x6	
Profile WH 150/200mm	L80x8	
Cycles	≥ 1000	



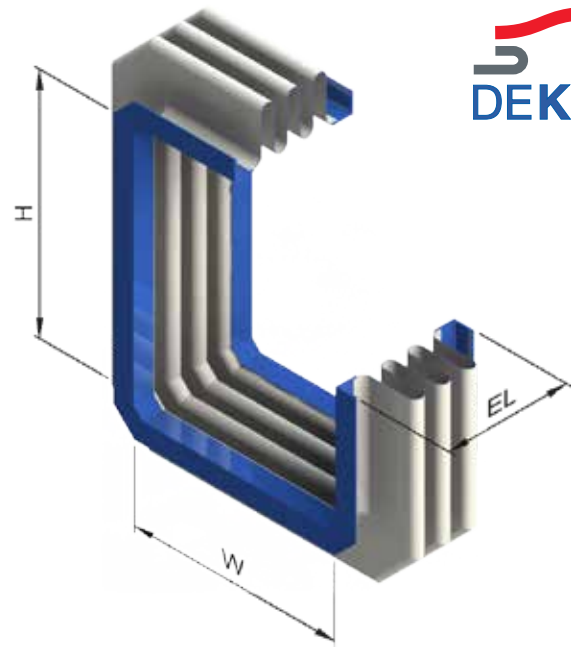
1 convolution



2 convolutions



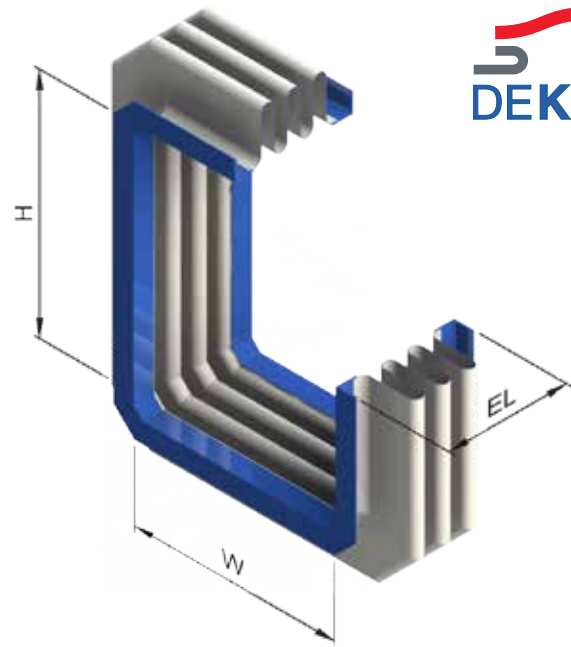
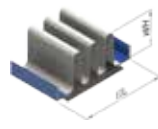
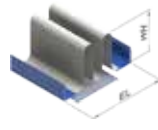
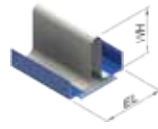
3 convolutions



DEKOMTE Article Number	Clear Opening		Maximum Movement	Convolution Height WH	Number of Convolutions	Effective Area	Installation Length EL	Overall Dimension		Axial Adjustment Force	Weight
	Width W	Height H						Width	Height H		
	[mm]	[mm]						[mm]	[mm]		
A-00-06000/06000-015-LL-E-SSSO	6000	6000	± 15	150	1	380100	270	6305	6305	1848	729
A-00-06000/06000-030-LL-E-SSSO			± 30		2		375			924	865
A-00-06000/06000-045-LL-E-SSSO			± 45		3		480			616	1000
A-00-06000/06000-020-LL-E-SSSO	6000	6000	± 20	200	1	386162	270	6405	6405	864	763
A-00-06000/06000-040-LL-E-SSSO			± 40		2		375			432	933
A-00-06000/06000-060-LL-E-SSSO			± 60		3		480			288	1103
A-00-06000/12000-015-LL-E-SSSO	6000	12000	± 15	150	1	750150	270	6305	12305	2749	1088
A-00-06000/12000-030-LL-E-SSSO			± 30		2		375			1374	1291
A-00-06000/12000-045-LL-E-SSSO			± 45		3		480			916	1493
A-00-06000/12000-020-LL-E-SSSO	6000	12000	± 20	200	1	759212	270	6405	12405	1282	1139
A-00-06000/12000-040-LL-E-SSSO			± 40		2		375			641	1392
A-00-06000/12000-060-LL-E-SSSO			± 60		3		480			427	1644
A-00-06500/06500-015-LL-E-SSSO	6500	6500	± 15	150	1	444275	270	6805	6805	1998	789
A-00-06500/06500-030-LL-E-SSSO			± 30		2		375			999	936
A-00-06500/06500-045-LL-E-SSSO			± 45		3		480			666	1083
A-00-06500/06500-020-LL-E-SSSO	6500	6500	± 20	200	1	450837	270	6905	6905	934	826
A-00-06500/06500-040-LL-E-SSSO			± 40		2		375			467	1010
A-00-06500/06500-060-LL-E-SSSO			± 60		3		480			311	1194
A-00-06500/13000-015-LL-E-SSSO	6500	13000	± 15	150	1	877663	270	6805	13305	2974	1178
A-00-06500/13000-030-LL-E-SSSO			± 30		2		375			1487	1397
A-00-06500/13000-045-LL-E-SSSO			± 45		3		480			991	1616
A-00-06500/13000-020-LL-E-SSSO	6500	13000	± 20	200	1	887475	270	6905	13405	1386	1233
A-00-06500/13000-040-LL-E-SSSO			± 40		2		375			693	1506
A-00-06500/13000-060-LL-E-SSSO			± 60		3		480			462	1779
A-00-07000/07000-015-LL-E-SSSO	7000	7000	± 15	150	1	513450	270	7305	7305	2148	849
A-00-07000/07000-030-LL-E-SSSO			± 30		2		375			1074	1007
A-00-07000/07000-045-LL-E-SSSO			± 45		3		480			716	1165
A-00-07000/07000-020-LL-E-SSSO	7000	7000	± 20	200	1	520512	270	7405	7405	1003	889
A-00-07000/07000-040-LL-E-SSSO			± 40		2		375			502	1086
A-00-07000/07000-060-LL-E-SSSO			± 60		3		480			334	1284

Axial, rectangular metallic expansion joint

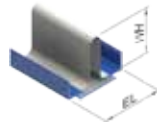
Compensator Properties	Design Temperature	≤ 530 °C
	Design Pressure	100 mbar
	Bellow Material	1.5415
	Corner Type	Double Miter
	Connection	Angle Flange
	Connection Material	1.5415
Profile WH 80mm	L60x6	
Profile WH 150/200mm	L80x8	
Cycles	≥ 1000	



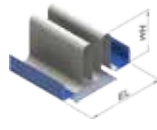
DEKOMTE Article Number	Clear Opening		Maximum Movement	Convolution Height WH	Number of Convolutions	Effective Area	Installation Length EL	Overall Dimension		Axial Adjustment Force	Weight
	Width W	Height H						Width	Height H		
	[mm]	[mm]						[mm]	[mm]		
A-00-07000/14000-015-LL-E-SSSO	7000	14000	± 15	150	1	1015175	270	7305	14305	3199	1268
A-00-07000/14000-030-LL-E-SSSO			± 30		2		375			1600	1503
A-00-07000/14000-045-LL-E-SSSO			± 45		3		480			1066	1739
A-00-07000/14000-020-LL-E-SSSO	7000	14000	± 20	200	1	1025737	270	7405	14405	1491	1327
A-00-07000/14000-040-LL-E-SSSO			± 40		2		375			745	1621
A-00-07000/14000-060-LL-E-SSSO			± 60		3		480			497	1914
A-00-07500/7500-015-LL-E-SSSO	7500	7500	± 15	150	1	587625	270	7805	7805	2298	909
A-00-07500/7500-030-LL-E-SSSO			± 30		2		375			1149	1078
A-00-07500/7500-045-LL-E-SSSO			± 45		3		480			766	1247
A-00-07500/7500-020-LL-E-SSSO	7500	7500	± 20	200	1	595187	270	7905	7905	1073	951
A-00-07500/7500-040-LL-E-SSSO			± 40		2		375			536	1162
A-00-07500/7500-060-LL-E-SSSO			± 60		3		480			358	1374
A-00-07500/15000-015-LL-E-SSSO	7500	15000	± 15	150	1	1162688	270	7805	15305	3425	1358
A-00-07500/15000-030-LL-E-SSSO			± 30		2		375			1712	1610
A-00-07500/15000-045-LL-E-SSSO			± 45		3		480			1142	1862
A-00-07500/15000-020-LL-E-SSSO	7500	15000	± 20	200	1	1174000	270	7905	15405	1595	1421
A-00-07500/15000-040-LL-E-SSSO			± 40		2		375			798	1735
A-00-07500/15000-060-LL-E-SSSO			± 60		3		480			532	2050
A-00-08000/8000-015-LL-E-SSSO	8000	8000	± 15	150	1	666800	270	8305	8305	2448	969
A-00-08000/8000-030-LL-E-SSSO			± 30		2		375			1224	1149
A-00-08000/8000-045-LL-E-SSSO			± 45		3		480			816	1329
A-00-08000/8000-020-LL-E-SSSO	8000	8000	± 20	200	1	674862	270	8405	8405	1143	1014
A-00-08000/8000-040-LL-E-SSSO			± 40		2		375			571	1239
A-00-08000/8000-060-LL-E-SSSO			± 60		3		480			381	1464
A-00-08000/16000-015-LL-E-SSSO	8000	16000	± 15	150	1	1320200	270	8305	16305	3650	1448
A-00-08000/16000-030-LL-E-SSSO			± 30		2		375			1825	1716
A-00-08000/16000-045-LL-E-SSSO			± 45		3		480			1217	1985
A-00-08000/16000-020-LL-E-SSSO	8000	16000	± 20	200	1	1332262	270	8405	16405	1700	1514
A-00-08000/16000-040-LL-E-SSSO			± 40		2		375			850	1850
A-00-08000/16000-060-LL-E-SSSO			± 60		3		480			567	2185

Axial, rectangular metallic expansion joint

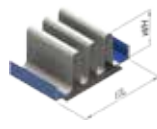
Compensator Properties	Design Temperature	≤ 530 °C
	Design Pressure	100 mbar
	Bellow Material	1.5415
	Corner Type	Double Miter
	Connection	Angle Flange
	Connection Material	1.5415
	Profile WH 80mm	L60x6
Profile WH 150/200mm	L80x8	
Cycles	≥ 1000	



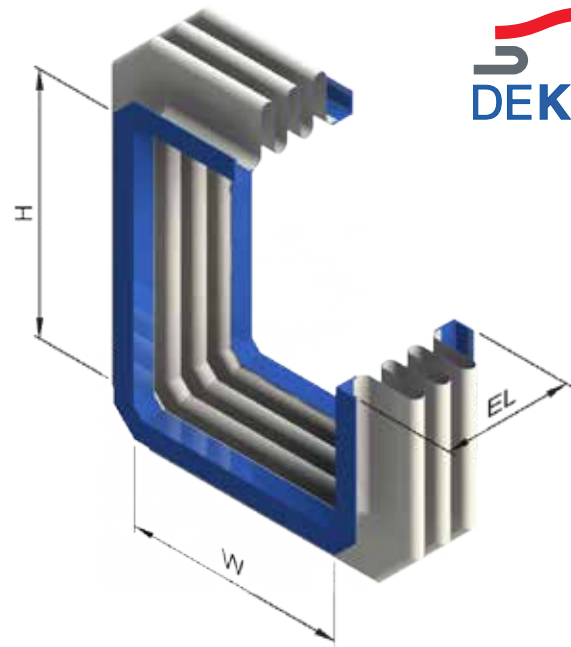
1 convolution



2 convolutions



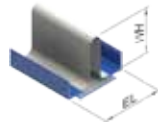
3 convolutions



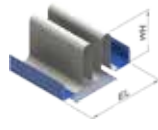
DEKOMTE Article Number	Clear Opening		Maximum Movement	Convolution Height WH	Number of Convolutions	Effective Area	Installation Length EL	Overall Dimension		Axial Adjustment Force	Weight
	Width W	Height H						Width	Height H		
	[mm]	[mm]						[mm]	[mm]		
A-00-08500/08500-015-LL-E-SSSO	8500	8500	± 15	150	1	750975	270	8805	8805	2599	1028
A-00-08500/08500-030-LL-E-SSSO			± 30		2		375			1299	1220
A-00-08500/08500-045-LL-E-SSSO			± 45		3		480			866	1411
A-00-08500/08500-020-LL-E-SSSO	8500	8500	± 20	200	1	759537	270	8905	8905	1212	1076
A-00-08500/08500-040-LL-E-SSSO			± 40		2		375			606	1315
A-00-08500/08500-060-LL-E-SSSO			± 60		3		480			404	1554
A-00-08500/17000-015-LL-E-SSSO	8500	17000	± 15	150	1	1487713	270	8805	17305	3875	1538
A-00-08500/17000-030-LL-E-SSSO			± 30		2		375			1938	1823
A-00-08500/17000-045-LL-E-SSSO			± 45		3		480			1292	2108
A-00-08500/17000-020-LL-E-SSSO	8500	17000	± 20	200	1	1500525	270	8905	17405	1804	1608
A-00-08500/17000-040-LL-E-SSSO			± 40		2		375			902	1964
A-00-08500/17000-060-LL-E-SSSO			± 60		3		480			601	2320
A-00-09000/09000-015-LL-E-SSSO	9000	9000	± 15	150	1	840150	270	9305	9305	2749	1088
A-00-09000/09000-030-LL-E-SSSO			± 30		2		375			1374	1291
A-00-09000/09000-045-LL-E-SSSO			± 45		3		480			916	1493
A-00-09000/09000-020-LL-E-SSSO	9000	9000	± 20	200	1	849212	270	9405	9405	1282	1139
A-00-09000/09000-040-LL-E-SSSO			± 40		2		375			641	1392
A-00-09000/09000-060-LL-E-SSSO			± 60		3		480			427	1644
A-00-09000/18000-015-LL-E-SSSO	9000	18000	± 15	150	1	1665225	270	9305	18305	4101	1627
A-00-09000/18000-030-LL-E-SSSO			± 30		2		375			2050	1929
A-00-09000/18000-045-LL-E-SSSO			± 45		3		480			1367	2231
A-00-09000/18000-020-LL-E-SSSO	9000	18000	± 20	200	1	1678787	270	9405	18405	1909	1702
A-00-09000/18000-040-LL-E-SSSO			± 40		2		375			954	2079
A-00-09000/18000-060-LL-E-SSSO			± 60		3		480			636	2455
A-00-09500/09500-015-LL-E-SSSO	9500	9500	± 15	150	1	934325	270	9805	9805	2899	1148
A-00-09500/09500-030-LL-E-SSSO			± 30		2		375			1449	1362
A-00-09500/09500-045-LL-E-SSSO			± 45		3		480			966	1575
A-00-09500/09500-020-LL-E-SSSO	9500	9500	± 20	200	1	943887	270	9905	9905	1352	1202
A-00-09500/09500-040-LL-E-SSSO			± 40		2		375			676	1468
A-00-09500/09500-060-LL-E-SSSO			± 60		3		480			451	1734

Axial, rectangular metallic expansion joint

Compensator Properties	Design Temperature	≤ 530 °C
	Design Pressure	100 mbar
	Bellow Material	1.5415
	Corner Type	Double Miter
	Connection	Angle Flange
	Connection Material	1.5415
Profile WH 80mm	L60x6	
Profile WH 150/200mm	L80x8	
Cycles	≥ 1000	



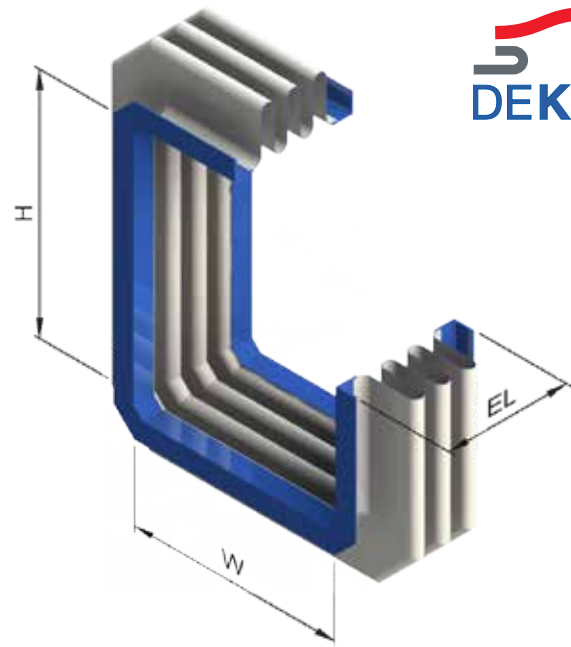
1 convolution



2 convolutions



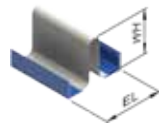
3 convolutions



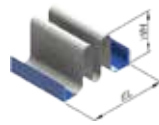
DEKOMTE Article Number	Clear Opening		Maximum Movement	Convolution Height WH	Number of Convolutions	Effective Area	Installation Length EL	Overall Dimension		Axial Adjustment Force	Weight
	Width W	Height H						Width	Height H		
	[mm]	[mm]						[mm]	[mm]		
A-00-09500/19000-015-LL-E-SSS0	9500	19000	± 15	150	1	1852738	270	9805	19305	4326	1717
A-00-09500/19000-030-LL-E-SSS0			± 30		2		375			2163	2036
A-00-09500/19000-045-LL-E-SSS0			± 45		3		480			1442	2354
A-00-09500/19000-020-LL-E-SSS0	9500	19000	± 20	200	1	1867050	270	9905	19405	2013	1796
A-00-09500/19000-040-LL-E-SSS0			± 40		2		375			1007	2193
A-00-09500/19000-060-LL-E-SSS0			± 60		3		480			671	2590
A-00-10000/10000-015-LL-E-SSS0	10000	10000	± 15	150	1	1033500	270	10305	10305	3049	1208
A-00-10000/10000-030-LL-E-SSS0			± 30		2		375			1525	1432
A-00-10000/10000-045-LL-E-SSS0			± 45		3		480			1016	1657
A-00-10000/10000-020-LL-E-SSS0	10000	10000	± 20	200	1	1043562	270	10405	10405	1421	1264
A-00-10000/10000-040-LL-E-SSS0			± 40		2		375			711	1544
A-00-10000/10000-060-LL-E-SSS0			± 60		3		480			474	1824
A-00-10000/20000-015-LL-E-SSS0	10000	20000	± 15	150	1	2050250	270	10305	20305	4551	1807
A-00-10000/20000-030-LL-E-SSS0			± 30		2		375			2276	2142
A-00-10000/20000-045-LL-E-SSS0			± 45		3		480			1517	2477
A-00-10000/20000-020-LL-E-SSS0	10000	20000	± 20	200	1	2065312	270	10405	20405	2118	1890
A-00-10000/20000-040-LL-E-SSS0			± 40		2		375			1059	2308
A-00-10000/20000-060-LL-E-SSS0			± 60		3		480			706	2725

Axial, rectangular metallic expansion joint

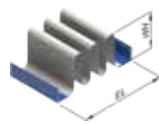
Compensator Properties	Design Temperature	≤ 530 °C
	Design Pressure	100 mbar
	Bellow Material	1.5415
	Corner Type	Double Miter
	Connection	Angle Flange
	Connection Material	1.5415
	Profile WH 80mm	L60x6
Profile WH 150/200mm	L80x8	
Sleeve Material	1.5415	
Thickness WH 80mm	3 mm	
Thickness WH 150/200mm	5 mm	
Cycles	≥ 1000	



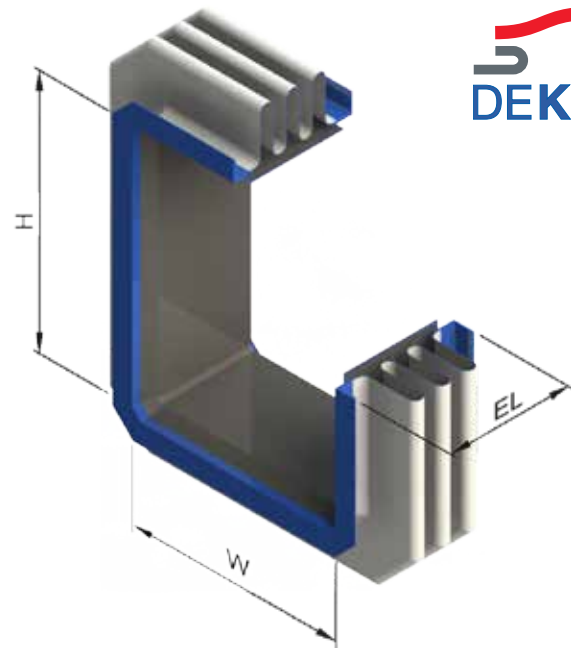
1 convolution



2 convolutions



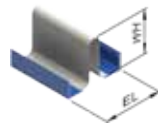
3 convolutions



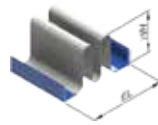
DEKOMTE Article Number	Clear Opening		Maximum Movement	Convolution Height WH	Number of Convolutions	Effective Area	Installation Length EL	Overall Dimension		Axial Adjustment Force	Weight
	Width W	Height H						Width	Height H		
	[mm]	[mm]						[mm]	[mm]		
A-00-00300/00300-006-LL-E-L-SSS0S	300	300	± 6	80	1	1416	200	465	465	684	31
A-00-00300/00300-013-LL-E-L-SSS0S			± 13		2		270			342	38
A-00-00300/00300-019-LL-E-L-SSS0S			± 19		3		340			228	45
A-00-00300/00600-006-LL-E-L-SSS0S	300	600	± 6	80	1	2597	200	465	765	955	44
A-00-00300/00600-013-LL-E-L-SSS0S			± 13		2		270			477	55
A-00-00300/00600-019-LL-E-L-SSS0S			± 19		3		340			318	65
A-00-00400/00400-006-LL-E-L-SSS0S	400	400	± 6	80	1	2303	200	565	565	865	40
A-00-00400/00400-013-LL-E-L-SSS0S			± 13		2		270			432	49
A-00-00400/00400-019-LL-E-L-SSS0S			± 19		3		340			288	58
A-00-00400/00800-006-LL-E-L-SSS0S	400	800	± 6	80	1	4277	200	565	965	1225	57
A-00-00400/00800-013-LL-E-L-SSS0S			± 13		2		270			612	71
A-00-00400/00800-019-LL-E-L-SSS0S			± 19		3		340			408	85
A-00-00500/00500-006-LL-E-L-SSS0S	500	500	± 6	80	1	3390	200	665	665	1045	49
A-00-00500/00500-013-LL-E-L-SSS0S			± 13		2		270			522	60
A-00-00500/00500-019-LL-E-L-SSS0S			± 19		3		340			348	72
A-00-00500/00500-015-LL-E-L-SSS0S	500	500	± 15	150	1	4175	270	805	805	195	90
A-00-00500/00500-030-LL-E-L-SSS0S			± 30		2		375			98	113
A-00-00500/00500-045-LL-E-L-SSS0S			± 45		3		480			65	136
A-00-00500/00500-020-LL-E-L-SSS0S	500	500	± 20	200	1	4737	270	905	905	98	95
A-00-00500/00500-040-LL-E-L-SSS0S			± 40		2		375			49	122
A-00-00500/00500-060-LL-E-L-SSS0S			± 60		3		480			33	150
A-00-00500/01000-006-LL-E-L-SSS0S	500	1000	± 6	80	1	6358	200	665	1165	1495	71
A-00-00500/01000-013-LL-E-L-SSS0S			± 13		2		270			747	88
A-00-00500/01000-019-LL-E-L-SSS0S			± 19		3		340			498	104
A-00-00500/01000-015-LL-E-L-SSS0S	500	1000	± 15	150	1	7513	270	805	1305	270	129
A-00-00500/01000-030-LL-E-L-SSS0S			± 30		2		375			135	163
A-00-00500/01000-045-LL-E-L-SSS0S			± 45		3		480			90	196
A-00-00500/01000-020-LL-E-L-SSS0S	500	1000	± 20	200	1	8325	270	905	1405	132	136
A-00-00500/01000-040-LL-E-L-SSS0S			± 40		2		375			66	175
A-00-00500/01000-060-LL-E-L-SSS0S			± 60		3		480			44	215

Axial, rectangular metallic expansion joint

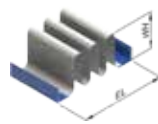
Compensator Properties	Design Temperature	≤ 530 °C
	Design Pressure	100 mbar
	Bellow Material	1.5415
	Corner Type	Double Miter
	Connection	Angle Flange
	Connection Material	1.5415
	Profile WH 80mm	L60x6
Profile WH 150/200mm	L80x8	
Sleeve Material	1.5415	
Thickness WH 80mm	3 mm	
Thickness WH 150/200mm	5 mm	
Cycles	≥ 1000	



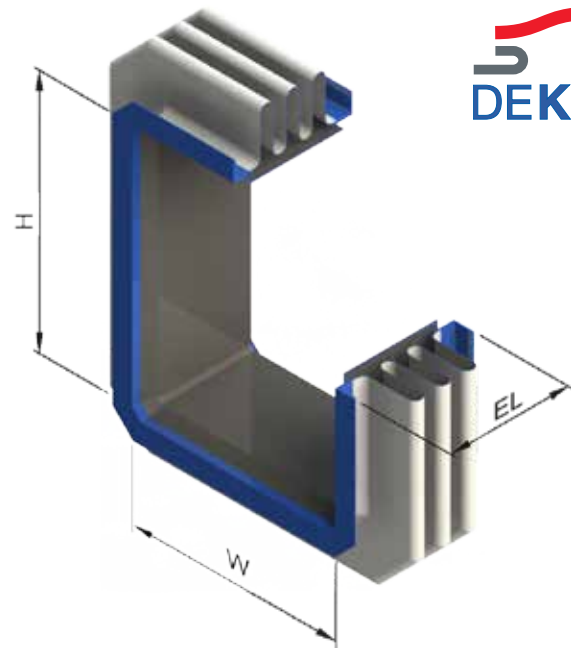
1 convolution



2 convolutions



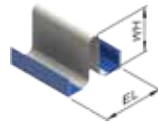
3 convolutions



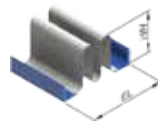
DEKOMTE Article Number	Clear Opening		Maximum Movement	Convolution Height WH	Number of Convolutions	Effective Area	Installation Length EL	Overall Dimension		Axial Adjustment Force	Weight
	Width W	Height H						Width	Height H		
	[mm]	[mm]						[mm]	[mm]		
A-00-00600/00600-006-LL-E-L-SSS0S	600	600	± 6	80	1	4677	200	765	765	1225	57
A-00-00600/00600-013-LL-E-L-SSS0S			± 13		2		270			612	71
A-00-00600/00600-019-LL-E-L-SSS0S			± 19		3		340			408	85
A-00-00600/00600-015-LL-E-L-SSS0S	600	600	± 15	150	1	5610	270	905	905	225	106
A-00-00600/00600-030-LL-E-L-SSS0S			± 30		2		375			113	133
A-00-00600/00600-045-LL-E-L-SSS0S			± 45		3		480			75	160
A-00-00600/00600-020-LL-E-L-SSS0S	600	600	± 20	200	1	6272	270	1005	1005	111	111
A-00-00600/00600-040-LL-E-L-SSS0S			± 40		2		375			56	144
A-00-00600/00600-060-LL-E-L-SSS0S			± 60		3		480			37	176
A-00-00600/01200-006-LL-E-L-SSS0S	600	1200	± 6	80	1	8838	200	765	1365	1765	84
A-00-00600/01200-013-LL-E-L-SSS0S			± 13		2		270			883	104
A-00-00600/01200-019-LL-E-L-SSS0S			± 19		3		340			588	124
A-00-00600/01200-015-LL-E-L-SSS0S	600	1200	± 15	150	1	10215	270	905	1505	315	153
A-00-00600/01200-030-LL-E-L-SSS0S			± 30		2		375			158	193
A-00-00600/01200-045-LL-E-L-SSS0S			± 45		3		480			105	232
A-00-00600/01200-020-LL-E-L-SSS0S	600	1200	± 20	200	1	11177	270	1005	1605	153	160
A-00-00600/01200-040-LL-E-L-SSS0S			± 40		2		375			77	207
A-00-00600/01200-060-LL-E-L-SSS0S			± 60		3		480			51	253
A-00-00700/00700-006-LL-E-L-SSS0S	700	700	± 6	80	1	6164	200	865	865	1405	66
A-00-00700/00700-013-LL-E-L-SSS0S			± 13		2		270			702	82
A-00-00700/00700-019-LL-E-L-SSS0S			± 19		3		340			468	98
A-00-00700/00700-015-LL-E-L-SSS0S	700	700	± 15	150	1	7245	270	1005	1005	255	121
A-00-00700/00700-030-LL-E-L-SSS0S			± 30		2		375			128	153
A-00-00700/00700-045-LL-E-L-SSS0S			± 45		3		480			85	184
A-00-00700/00700-020-LL-E-L-SSS0S	700	700	± 20	200	1	8007	270	1105	1105	125	127
A-00-00700/00700-040-LL-E-L-SSS0S			± 40		2		375			63	165
A-00-00700/00700-060-LL-E-L-SSS0S			± 60		3		480			42	202
A-00-00700/01400-006-LL-E-L-SSS0S	700	1400	± 6	80	1	11719	200	865	1565	2035	98
A-00-00700/01400-013-LL-E-L-SSS0S			± 13		2		270			1018	121
A-00-00700/01400-019-LL-E-L-SSS0S			± 19		3		340			678	144

Axial, rectangular metallic expansion joint

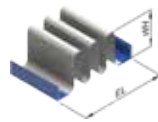
Compensator Properties	Design Temperature	≤ 530 °C
	Design Pressure	100 mbar
	Bellow Material	1.5415
	Corner Type	Double Miter
	Connection	Angle Flange
	Connection Material	1.5415
	Profile WH 80mm	L60x6
Profile WH 150/200mm	L80x8	
Sleeve Material	1.5415	
Thickness WH 80mm	3 mm	
Thickness WH 150/200mm	5 mm	
Cycles	≥ 1000	



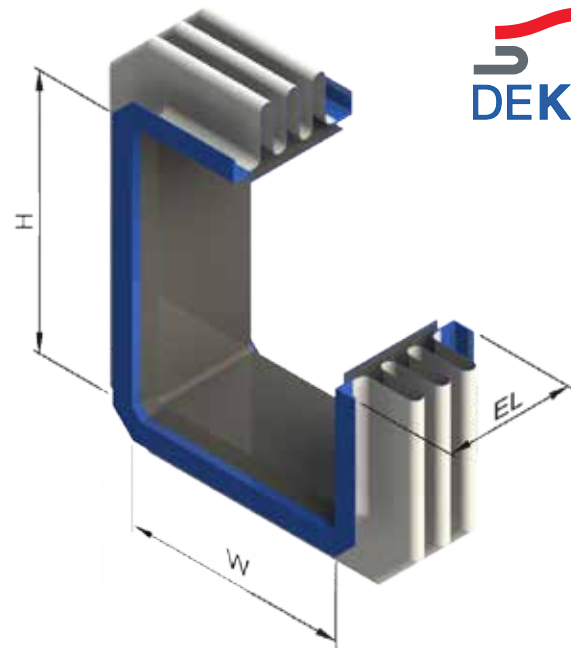
1 convolution



2 convolutions



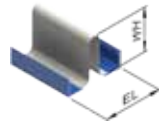
3 convolutions



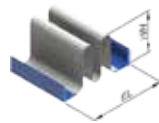
DEKOMTE Article Number	Clear Opening		Maximum Movement	Convolution Height WH	Number of Convolutions	Effective Area	Installation Length EL	Overall Dimension		Axial Adjustment Force	Weight
	Width W	Height H						Width	Height H		
	[mm]	[mm]						[mm]	[mm]		
A-00-00700/01400-015-LL-E-L-SSS0S	700	1400	± 15	150	1	13318	270	1005	1705	360	177
A-00-00700/01400-030-LL-E-L-SSS0S			± 30		2		375			180	223
A-00-00700/01400-045-LL-E-L-SSS0S			± 45		3		480			120	268
A-00-00700/01400-020-LL-E-L-SSS0S	700	1400	± 20	200	1	14430	270	1105	1805	174	185
A-00-00700/01400-040-LL-E-L-SSS0S			± 40		2		375			87	238
A-00-00700/01400-060-LL-E-L-SSS0S			± 60		3		480			58	291
A-00-00800/00800-006-LL-E-L-SSS0S	800	800	± 6	80	1	7851	200	965	965	1585	75
A-00-00800/00800-013-LL-E-L-SSS0S			± 13		2		270			792	93
A-00-00800/00800-019-LL-E-L-SSS0S			± 19		3		340			528	111
A-00-00800/00800-015-LL-E-L-SSS0S	800	800	± 15	150	1	9080	270	1105	1105	285	137
A-00-00800/00800-030-LL-E-L-SSS0S			± 30		2		375			143	173
A-00-00800/00800-045-LL-E-L-SSS0S			± 45		3		480			95	208
A-00-00800/00800-020-LL-E-L-SSS0S	800	800	± 20	200	1	9942	270	1205	1205	139	144
A-00-00800/00800-040-LL-E-L-SSS0S			± 40		2		375			70	186
A-00-00800/00800-060-LL-E-L-SSS0S			± 60		3		480			46	227
A-00-00800/01600-006-LL-E-L-SSS0S	800	1600	± 6	80	1	14999	200	965	1765	2305	111
A-00-00800/01600-013-LL-E-L-SSS0S			± 13		2		270			1153	137
A-00-00800/01600-019-LL-E-L-SSS0S			± 19		3		340			768	164
A-00-00800/01600-015-LL-E-L-SSS0S	800	1600	± 15	150	1	16820	270	1105	1905	406	201
A-00-00800/01600-030-LL-E-L-SSS0S			± 30		2		375			203	253
A-00-00800/01600-045-LL-E-L-SSS0S			± 45		3		480			135	304
A-00-00800/01600-020-LL-E-L-SSS0S	800	1600	± 20	200	1	18082	270	1205	2005	195	210
A-00-00800/01600-040-LL-E-L-SSS0S			± 40		2		375			98	270
A-00-00800/01600-060-LL-E-L-SSS0S			± 60		3		480			65	330
A-00-00900/00900-006-LL-E-L-SSS0S	900	900	± 6	80	1	9738	200	1065	1065	1765	84
A-00-00900/00900-013-LL-E-L-SSS0S			± 13		2		270			883	104
A-00-00900/00900-019-LL-E-L-SSS0S			± 19		3		340			588	124
A-00-00900/00900-015-LL-E-L-SSS0S	900	900	± 15	150	1	11115	270	1205	1205	315	153
A-00-00900/00900-030-LL-E-L-SSS0S			± 30		2		375			158	193
A-00-00900/00900-045-LL-E-L-SSS0S			± 45		3		480			105	232

Axial, rectangular metallic expansion joint

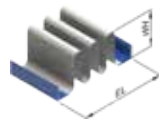
Compensator Properties	Design Temperature	≤ 530 °C
	Design Pressure	100 mbar
	Bellow Material	1.5415
	Corner Type	Double Miter
	Connection	Angle Flange
	Connection Material	1.5415
	Profile WH 80mm	L60x6
Profile WH 150/200mm	L80x8	
Sleeve Material	1.5415	
Thickness WH 80mm	3 mm	
Thickness WH 150/200mm	5 mm	
Cycles	≥ 1000	



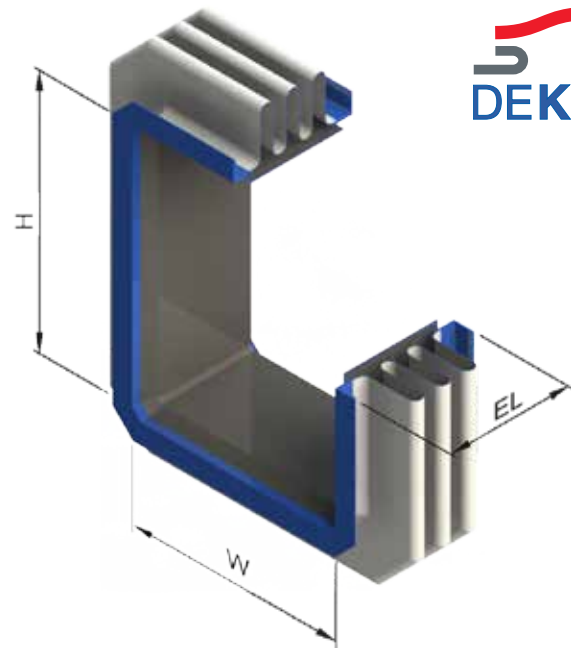
1 convolution



2 convolutions



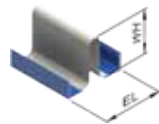
3 convolutions



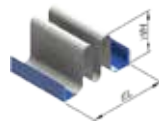
DEKOMTE Article Number	Clear Opening		Maximum Movement	Convolution Height WH	Number of Convolutions	Effective Area	Installation Length EL	Overall Dimension		Axial Adjustment Force	Weight
	Width W	Height H						Width	Height H		
	[mm]	[mm]						[mm]	[mm]		
A-00-00900/00900-020-LL-E-L-SSS0S	900	900	± 20	200	1	12077	270	1305	1305	153	160
A-00-00900/00900-040-LL-E-L-SSS0S			± 40		2		375			77	207
A-00-00900/00900-060-LL-E-L-SSS0S			± 60		3		480			51	253
A-00-00900/01800-006-LL-E-L-SSS0S	900	1800	± 6	80	1	18680	200	1065	1965	2576	124
A-00-00900/01800-013-LL-E-L-SSS0S			± 13		2		270			1288	154
A-00-00900/01800-019-LL-E-L-SSS0S			± 19		3		340			859	183
A-00-00900/01800-015-LL-E-L-SSS0S	900	1800	± 15	150	1	20723	270	1205	2105	451	225
A-00-00900/01800-030-LL-E-L-SSS0S			± 30		2		375			225	283
A-00-00900/01800-045-LL-E-L-SSS0S			± 45		3		480			150	340
A-00-00900/01800-020-LL-E-L-SSS0S	900	1800	± 20	200	1	22135	270	1305	2205	216	234
A-00-00900/01800-040-LL-E-L-SSS0S			± 40		2		375			108	301
A-00-00900/01800-060-LL-E-L-SSS0S			± 60		3		480			72	368
A-00-01000/01000-006-LL-E-L-SSS0S	1000	1000	± 6	80	1	11825	200	1165	1165	1945	93
A-00-01000/01000-013-LL-E-L-SSS0S			± 13		2		270			973	115
A-00-01000/01000-019-LL-E-L-SSS0S			± 19		3		340			648	137
A-00-01000/01000-015-LL-E-L-SSS0S	1000	1000	± 15	150	1	13350	270	1305	1305	345	169
A-00-01000/01000-030-LL-E-L-SSS0S			± 30		2		375			173	213
A-00-01000/01000-045-LL-E-L-SSS0S			± 45		3		480			115	256
A-00-01000/01000-020-LL-E-L-SSS0S	1000	1000	± 20	200	1	14412	270	1405	1405	167	177
A-00-01000/01000-040-LL-E-L-SSS0S			± 40		2		375			84	228
A-00-01000/01000-060-LL-E-L-SSS0S			± 60		3		480			56	279
A-00-01000/02000-006-LL-E-L-SSS0S	1000	2000	± 6	80	1	22760	200	1165	2165	2846	138
A-00-01000/02000-013-LL-E-L-SSS0S			± 13		2		270			1423	170
A-00-01000/02000-019-LL-E-L-SSS0S			± 19		3		340			949	203
A-00-01000/02000-015-LL-E-L-SSS0S	1000	2000	± 15	150	1	25025	270	1305	2305	496	249
A-00-01000/02000-030-LL-E-L-SSS0S			± 30		2		375			248	313
A-00-01000/02000-045-LL-E-L-SSS0S			± 45		3		480			165	376
A-00-01000/02000-020-LL-E-L-SSS0S	1000	2000	± 20	200	1	26587	270	1405	2405	237	259
A-00-01000/02000-040-LL-E-L-SSS0S			± 40		2		375			118	333
A-00-01000/02000-060-LL-E-L-SSS0S			± 60		3		480			79	407

Axial, rectangular metallic expansion joint

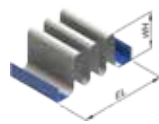
Compensator Properties	Design Temperature	≤ 530 °C
	Design Pressure	100 mbar
	Bellow Material	1.5415
	Corner Type	Double Miter
	Connection	Angle Flange
	Connection Material	1.5415
	Profile WH 80mm	L60x6
Profile WH 150/200mm	L80x8	
Sleeve Material	1.5415	
Thickness WH 80mm	3 mm	
Thickness WH 150/200mm	5 mm	
Cycles	≥ 1000	



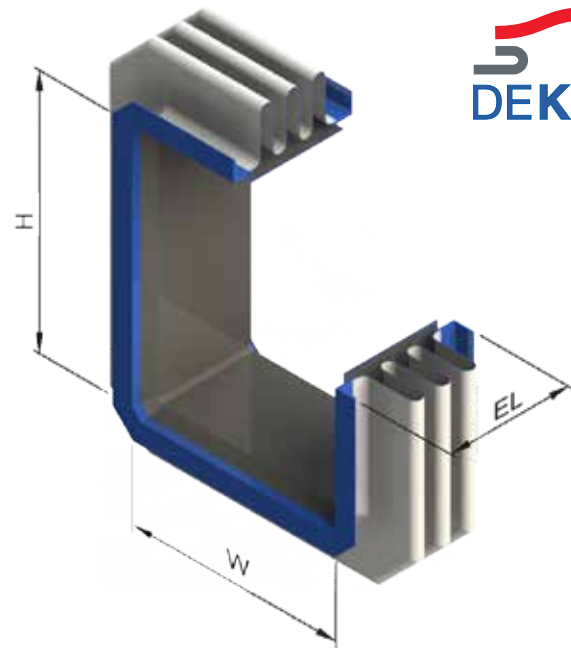
1 convolution



2 convolutions



3 convolutions

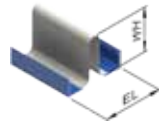


DEKOMTE Article Number	Clear Opening		Maximum Movement	Convolution Height WH	Number of Convolutions	Effective Area	Installation Length EL	Overall Dimension		Axial Adjustment Force	Weight
	Width W	Height H						Width	Height H		
	[mm]	[mm]						[mm]	[mm]		
A-00-01200/01200-006-LL-E-L-SSS0S	1200	1200	± 6	80	1	16599	200	1365	1365	2305	111
A-00-01200/01200-013-LL-E-L-SSS0S			± 13		2		270			1153	137
A-00-01200/01200-019-LL-E-L-SSS0S			± 19		3		340			768	164
A-00-01200/01200-015-LL-E-L-SSS0S	1200	1200	± 15	150	1	18420	270	1505	1505	406	201
A-00-01200/01200-030-LL-E-L-SSS0S			± 30		2		375			203	253
A-00-01200/01200-045-LL-E-L-SSS0S			± 45		3		480			135	304
A-00-01200/01200-020-LL-E-L-SSS0S	1200	1200	± 20	200	1	19682	270	1605	1605	195	210
A-00-01200/01200-040-LL-E-L-SSS0S			± 40		2		375			98	270
A-00-01200/01200-060-LL-E-L-SSS0S			± 60		3		480			65	330
A-00-01200/02400-006-LL-E-L-SSS0S	1200	2400	± 6	80	1	32121	200	1365	2565	3386	164
A-00-01200/02400-013-LL-E-L-SSS0S			± 13		2		270			1693	204
A-00-01200/02400-019-LL-E-L-SSS0S			± 19		3		340			1129	243
A-00-01200/02400-015-LL-E-L-SSS0S	1200	2400	± 15	150	1	34830	270	1505	2705	586	296
A-00-01200/02400-030-LL-E-L-SSS0S			± 30		2		375			293	372
A-00-01200/02400-045-LL-E-L-SSS0S			± 45		3		480			195	448
A-00-01200/02400-020-LL-E-L-SSS0S	1200	2400	± 20	200	1	36692	270	1605	2805	279	308
A-00-01200/02400-040-LL-E-L-SSS0S			± 40		2		375			139	396
A-00-01200/02400-060-LL-E-L-SSS0S			± 60		3		480			93	484
A-00-01400/01400-006-LL-E-L-SSS0S	1400	1400	± 6	80	1	22173	200	1565	1565	2666	129
A-00-01400/01400-013-LL-E-L-SSS0S			± 13		2		270			1333	159
A-00-01400/01400-019-LL-E-L-SSS0S			± 19		3		340			889	190
A-00-01400/01400-015-LL-E-L-SSS0S	1400	1400	± 15	150	1	24290	270	1705	1705	466	233
A-00-01400/01400-030-LL-E-L-SSS0S			± 30		2		375			233	293
A-00-01400/01400-045-LL-E-L-SSS0S			± 45		3		480			155	352
A-00-01400/01400-020-LL-E-L-SSS0S	1400	1400	± 20	200	1	25752	270	1805	1805	223	243
A-00-01400/01400-040-LL-E-L-SSS0S			± 40		2		375			111	312
A-00-01400/01400-060-LL-E-L-SSS0S			± 60		3		480			74	381
A-00-01400/02800-006-LL-E-L-SSS0S	1400	2800	± 6	80	1	43082	200	1565	2965	3926	191
A-00-01400/02800-013-LL-E-L-SSS0S			± 13		2		270			1963	237
A-00-01400/02800-019-LL-E-L-SSS0S			± 19		3		340			1309	282

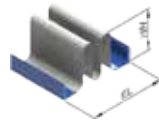
Axial, rectangular metallic expansion joint



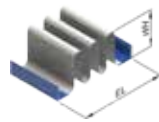
Compensator Properties	Design Temperature	≤ 530 °C
	Design Pressure	100 mbar
	Bellow Material	1.5415
	Corner Type	Double Miter
	Connection	Angle Flange
	Connection Material	1.5415
	Profile WH 80mm	L60x6
Profile WH 150/200mm	L80x8	
Sleeve Material	1.5415	
Thickness WH 80mm	3 mm	
Thickness WH 150/200mm	5 mm	
Cycles	≥ 1000	



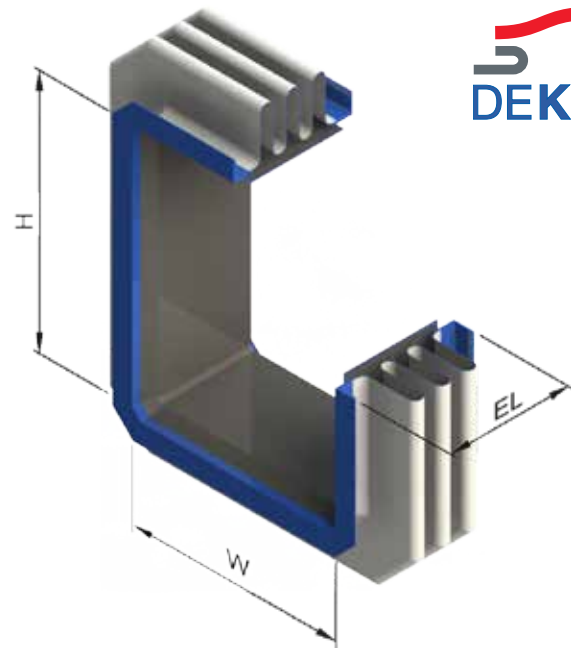
1 convolution



2 convolutions



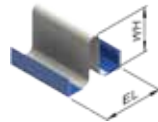
3 convolutions



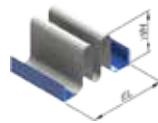
DEKOMTE Article Number	Clear Opening		Maximum Movement	Convolution Height WH	Number of Convolutions	Effective Area	Installation Length EL	Overall Dimension		Axial Adjustment Force	Weight
	Width W	Height H						Width	Height H		
	[mm]	[mm]						[mm]	[mm]		
A-00-01400/02800-015-LL-E-L-SSS0S	1400	2800	± 15	150	1	46235	270	1705	3105	676	344
A-00-01400/02800-030-LL-E-L-SSS0S			± 30		2		375			338	432
A-00-01400/02800-045-LL-E-L-SSS0S			± 45		3		480			225	520
A-00-01400/02800-020-LL-E-L-SSS0S	1400	2800	± 20	200	1	48397	270	1805	3205	320	358
A-00-01400/02800-040-LL-E-L-SSS0S			± 40		2		375			160	459
A-00-01400/02800-060-LL-E-L-SSS0S			± 60		3		480			107	561
A-00-01600/01600-006-LL-E-L-SSS0S	1600	1600	± 6	80	1	28547	200	1765	1765	3026	147
A-00-01600/01600-013-LL-E-L-SSS0S			± 13		2		270			1513	181
A-00-01600/01600-019-LL-E-L-SSS0S			± 19		3		340			1009	216
A-00-01600/01600-015-LL-E-L-SSS0S	1600	1600	± 15	150	1	30960	270	1905	1905	526	265
A-00-01600/01600-030-LL-E-L-SSS0S			± 30		2		375			263	333
A-00-01600/01600-045-LL-E-L-SSS0S			± 45		3		480			175	400
A-00-01600/01600-020-LL-E-L-SSS0S	1600	1600	± 20	200	1	32622	270	2005	2005	251	275
A-00-01600/01600-040-LL-E-L-SSS0S			± 40		2		375			125	354
A-00-01600/01600-060-LL-E-L-SSS0S			± 60		3		480			84	432
A-00-01600/03200-006-LL-E-L-SSS0S	1600	3200	± 6	80	1	55643	200	1765	3365	4467	218
A-00-01600/03200-013-LL-E-L-SSS0S			± 13		2		270			2233	270
A-00-01600/03200-019-LL-E-L-SSS0S			± 19		3		340			1489	322
A-00-01600/03200-015-LL-E-L-SSS0S	1600	3200	± 15	150	1	59240	270	1905	3505	766	392
A-00-01600/03200-030-LL-E-L-SSS0S			± 30		2		375			383	492
A-00-01600/03200-045-LL-E-L-SSS0S			± 45		3		480			255	593
A-00-01600/03200-020-LL-E-L-SSS0S	1600	3200	± 20	200	1	61702	270	2005	3605	362	407
A-00-01600/03200-040-LL-E-L-SSS0S			± 40		2		375			181	522
A-00-01600/03200-060-LL-E-L-SSS0S			± 60		3		480			121	638
A-00-01800/01800-006-LL-E-L-SSS0S	1800	1800	± 6	80	1	35721	200	1965	1965	3386	164
A-00-01800/01800-013-LL-E-L-SSS0S			± 13		2		270			1693	204
A-00-01800/01800-019-LL-E-L-SSS0S			± 19		3		340			1129	243
A-00-01800/01800-015-LL-E-L-SSS0S	1800	1800	± 15	150	1	38430	270	2105	2105	586	296
A-00-01800/01800-030-LL-E-L-SSS0S			± 30		2		375			293	372
A-00-01800/01800-045-LL-E-L-SSS0S			± 45		3		480			195	448

Axial, rectangular metallic expansion joint

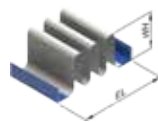
Compensator Properties	Design Temperature	≤ 530 °C
	Design Pressure	100 mbar
	Bellow Material	1.5415
	Corner Type	Double Miter
	Connection	Angle Flange
	Connection Material	1.5415
	Profile WH 80mm	L60x6
Profile WH 150/200mm	L80x8	
Sleeve Material	1.5415	
Thickness WH 80mm	3 mm	
Thickness WH 150/200mm	5 mm	
Cycles	≥ 1000	



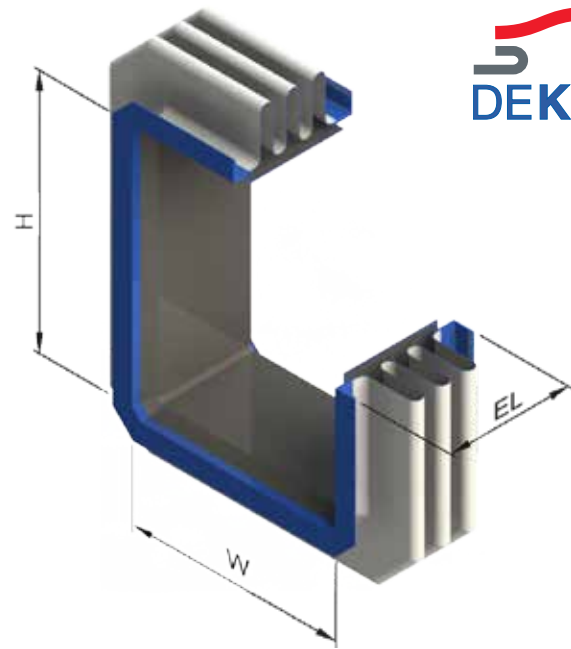
1 convolution



2 convolutions



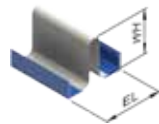
3 convolutions



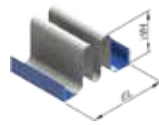
DEKOMTE Article Number	Clear Opening		Maximum Movement	Convolution Height WH	Number of Convolutions	Effective Area	Installation Length EL	Overall Dimension		Axial Adjustment Force	Weight
	Width W	Height H						Width	Height H		
	[mm]	[mm]						[mm]	[mm]		
A-00-01800/01800-020-LL-E-L-SSS0S	1800	1800	± 20	200	1	40292	270	2205	2205	279	308
A-00-01800/01800-040-LL-E-L-SSS0S			± 40		2		375			139	396
A-00-01800/01800-060-LL-E-L-SSS0S			± 60		3		480			93	484
A-00-01800/03600-006-LL-E-L-SSS0S	1800	3600	± 6	80	1	69804	200	1965	3765	5007	245
A-00-01800/03600-013-LL-E-L-SSS0S			± 13		2		270			2504	303
A-00-01800/03600-019-LL-E-L-SSS0S			± 19		3		340			1669	361
A-00-01800/03600-015-LL-E-L-SSS0S	1800	3600	± 15	150	1	73845	270	2105	3905	856	440
A-00-01800/03600-030-LL-E-L-SSS0S			± 30		2		375			428	552
A-00-01800/03600-045-LL-E-L-SSS0S			± 45		3		480			285	665
A-00-01800/03600-020-LL-E-L-SSS0S	1800	3600	± 20	200	1	76607	270	2205	4005	404	456
A-00-01800/03600-040-LL-E-L-SSS0S			± 40		2		375			202	585
A-00-01800/03600-060-LL-E-L-SSS0S			± 60		3		480			135	714
A-00-02000/02000-006-LL-E-L-SSS0S	2000	2000	± 6	80	1	43695	200	2165	2165	3746	182
A-00-02000/02000-013-LL-E-L-SSS0S			± 13		2		270			1873	226
A-00-02000/02000-019-LL-E-L-SSS0S			± 19		3		340			1249	269
A-00-02000/02000-015-LL-E-L-SSS0S	2000	2000	± 15	150	1	46700	270	2305	2305	646	328
A-00-02000/02000-030-LL-E-L-SSS0S			± 30		2		375			323	412
A-00-02000/02000-045-LL-E-L-SSS0S			± 45		3		480			215	496
A-00-02000/02000-020-LL-E-L-SSS0S	2000	2000	± 20	200	1	48762	270	2405	2405	307	341
A-00-02000/02000-040-LL-E-L-SSS0S			± 40		2		375			153	438
A-00-02000/02000-060-LL-E-L-SSS0S			± 60		3		480			102	535
A-00-02000/04000-006-LL-E-L-SSS0S	2000	4000	± 6	80	1	85565	200	2165	4165	5547	271
A-00-02000/04000-013-LL-E-L-SSS0S			± 13		2		270			2774	336
A-00-02000/04000-019-LL-E-L-SSS0S			± 19		3		340			1849	401
A-00-02000/04000-015-LL-E-L-SSS0S	2000	4000	± 15	150	1	90050	270	2305	4305	946	487
A-00-02000/04000-030-LL-E-L-SSS0S			± 30		2		375			473	612
A-00-02000/04000-045-LL-E-L-SSS0S			± 45		3		480			315	737
A-00-02000/04000-020-LL-E-L-SSS0S	2000	4000	± 20	200	1	93112	270	2405	4405	446	506
A-00-02000/04000-040-LL-E-L-SSS0S			± 40		2		375			223	648
A-00-02000/04000-060-LL-E-L-SSS0S			± 60		3		480			149	791

Axial, rectangular metallic expansion joint

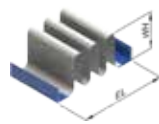
Compensator Properties	Design Temperature	≤ 530 °C
	Design Pressure	100 mbar
	Bellow Material	1.5415
	Corner Type	Double Miter
	Connection	Angle Flange
	Connection Material	1.5415
	Profile WH 80mm	L60x6
Profile WH 150/200mm	L80x8	
Sleeve Material	1.5415	
Thickness WH 80mm	3 mm	
Thickness WH 150/200mm	5 mm	
Cycles	≥ 1000	



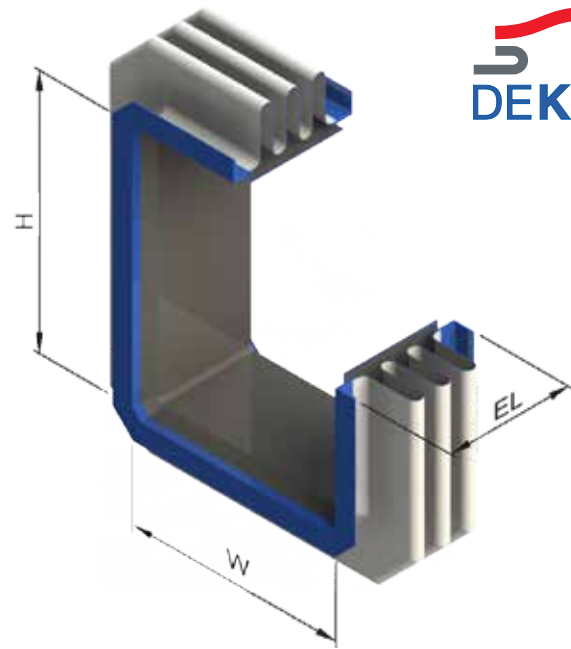
1 convolution



2 convolutions



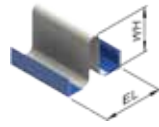
3 convolutions



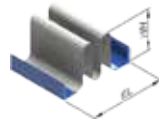
DEKOMTE Article Number	Clear Opening		Maximum Movement	Convolution Height WH	Number of Convolutions	Effective Area	Installation Length EL	Overall Dimension		Axial Adjustment Force	Weight
	Width W	Height H						Width	Height H		
	[mm]	[mm]						[mm]	[mm]		
A-00-02200/02200-015-LL-E-L-SSS0S	2200	2200	± 15	150	1	55770	270	2505	2505	706	360
A-00-02200/02200-030-LL-E-L-SSS0S			± 30		2		375			353	452
A-00-02200/02200-045-LL-E-L-SSS0S			± 45		3		480			235	545
A-00-02200/02200-020-LL-E-L-SSS0S	2200	2200	± 20	200	1	58032	270	2605	2605	334	374
A-00-02200/02200-040-LL-E-L-SSS0S			± 40		2		375			167	480
A-00-02200/02200-060-LL-E-L-SSS0S			± 60		3		480			111	586
A-00-02200/04400-015-LL-E-L-SSS0S	2200	4400	± 15	150	1	107855	270	2505	4705	1036	535
A-00-02200/04400-030-LL-E-L-SSS0S			± 30		2		375			518	672
A-00-02200/04400-045-LL-E-L-SSS0S			± 45		3		480			345	809
A-00-02200/04400-020-LL-E-L-SSS0S	2200	4400	± 20	200	1	111217	270	2605	4805	488	555
A-00-02200/04400-040-LL-E-L-SSS0S			± 40		2		375			244	712
A-00-02200/04400-060-LL-E-L-SSS0S			± 60		3		480			163	868
A-00-02400/02400-015-LL-E-L-SSS0S	2400	2400	± 15	150	1	65640	270	2705	2705	766	392
A-00-02400/02400-030-LL-E-L-SSS0S			± 30		2		375			383	492
A-00-02400/02400-045-LL-E-L-SSS0S			± 45		3		480			255	593
A-00-02400/02400-020-LL-E-L-SSS0S	2400	2400	± 20	200	1	68102	270	2805	2805	362	407
A-00-02400/02400-040-LL-E-L-SSS0S			± 40		2		375			181	522
A-00-02400/02400-060-LL-E-L-SSS0S			± 60		3		480			121	638
A-00-02400/04800-015-LL-E-L-SSS0S	2400	4800	± 15	150	1	127260	270	2705	5105	1127	583
A-00-02400/04800-030-LL-E-L-SSS0S			± 30		2		375			563	732
A-00-02400/04800-045-LL-E-L-SSS0S			± 45		3		480			376	881
A-00-02400/04800-020-LL-E-L-SSS0S	2400	4800	± 20	200	1	130922	270	2805	5205	529	604
A-00-02400/04800-040-LL-E-L-SSS0S			± 40		2		375			265	775
A-00-02400/04800-060-LL-E-L-SSS0S			± 60		3		480			176	945
A-00-02600/02600-015-LL-E-L-SSS0S	2600	2600	± 15	150	1	76310	270	2905	2905	826	424
A-00-02600/02600-030-LL-E-L-SSS0S			± 30		2		375			413	532
A-00-02600/02600-045-LL-E-L-SSS0S			± 45		3		480			275	641
A-00-02600/02600-020-LL-E-L-SSS0S	2600	2600	± 20	200	1	78972	270	3005	3005	390	440
A-00-02600/02600-040-LL-E-L-SSS0S			± 40		2		375			195	564
A-00-02600/02600-060-LL-E-L-SSS0S			± 60		3		480			130	689

Axial, rectangular metallic expansion joint

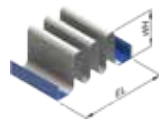
Compensator Properties	Design Temperature	≤ 530 °C
	Design Pressure	100 mbar
	Bellow Material	1.5415
	Corner Type	Double Miter
	Connection	Angle Flange
	Connection Material	1.5415
	Profile WH 80mm	L60x6
Profile WH 150/200mm	L80x8	
Sleeve Material	1.5415	
Thickness WH 80mm	3 mm	
Thickness WH 150/200mm	5 mm	
Cycles	≥ 1000	



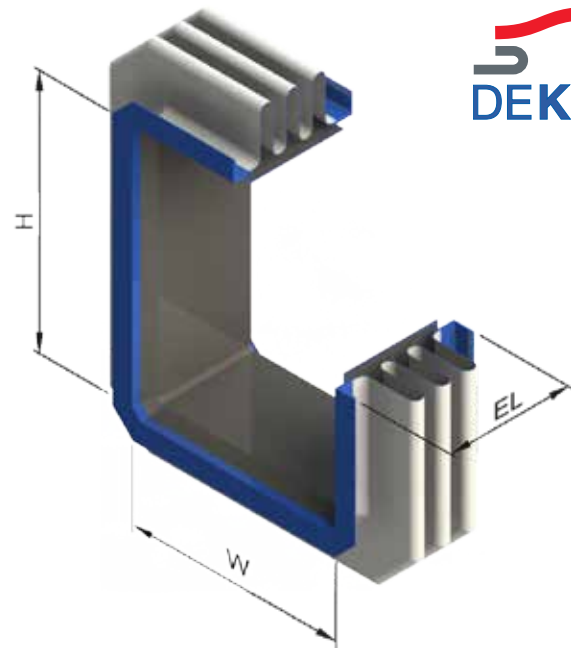
1 convolution



2 convolutions



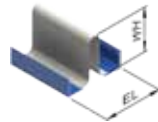
3 convolutions



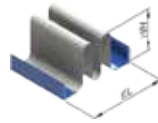
DEKOMTE Article Number	Clear Opening		Maximum Movement	Convolution Height WH	Number of Convolutions	Effective Area	Installation Length EL	Overall Dimension		Axial Adjustment Force	Weight
	Width W	Height H						Width	Height H		
	[mm]	[mm]						[mm]	[mm]		
A-00-02600/05200-015-LL-E-L-SSS0S	2600	5200	± 15	150	1	148265	270	2905	5505	1217	630
A-00-02600/05200-030-LL-E-L-SSS0S			± 30		2		375			608	792
A-00-02600/05200-045-LL-E-L-SSS0S			± 45		3		480			406	953
A-00-02600/05200-020-LL-E-L-SSS0S	2600	5200	± 20	200	1	152227	270	3005	5605	571	654
A-00-02600/05200-040-LL-E-L-SSS0S			± 40		2		375			286	838
A-00-02600/05200-060-LL-E-L-SSS0S			± 60		3		480			190	1022
A-00-02800/02800-015-LL-E-L-SSS0S	2800	2800	± 15	150	1	87780	270	3105	3105	886	455
A-00-02800/02800-030-LL-E-L-SSS0S			± 30		2		375			443	572
A-00-02800/02800-045-LL-E-L-SSS0S			± 45		3		480			295	689
A-00-02800/02800-020-LL-E-L-SSS0S	2800	2800	± 20	200	1	90642	270	3205	3205	418	473
A-00-02800/02800-040-LL-E-L-SSS0S			± 40		2		375			209	606
A-00-02800/02800-060-LL-E-L-SSS0S			± 60		3		480			139	740
A-00-02800/05600-015-LL-E-L-SSS0S	2800	5600	± 15	150	1	170870	270	3105	5905	1307	678
A-00-02800/05600-030-LL-E-L-SSS0S			± 30		2		375			653	852
A-00-02800/05600-045-LL-E-L-SSS0S			± 45		3		480			436	1025
A-00-02800/05600-020-LL-E-L-SSS0S	2800	5600	± 20	200	1	175132	270	3205	6005	613	703
A-00-02800/05600-040-LL-E-L-SSS0S			± 40		2		375			307	901
A-00-02800/05600-060-LL-E-L-SSS0S			± 60		3		480			204	1099
A-00-03000/03000-015-LL-E-L-SSS0S	3000	3000	± 15	150	1	100050	270	3305	3305	946	487
A-00-03000/03000-030-LL-E-L-SSS0S			± 30		2		375			473	612
A-00-03000/03000-045-LL-E-L-SSS0S			± 45		3		480			315	737
A-00-03000/03000-020-LL-E-L-SSS0S	3000	3000	± 20	200	1	103112	270	3405	3405	446	506
A-00-03000/03000-040-LL-E-L-SSS0S			± 40		2		375			223	648
A-00-03000/03000-060-LL-E-L-SSS0S			± 60		3		480			149	791
A-00-03000/06000-015-LL-E-L-SSS0S	3000	6000	± 15	150	1	195075	270	3305	6305	1397	726
A-00-03000/06000-030-LL-E-L-SSS0S			± 30		2		375			698	911
A-00-03000/06000-045-LL-E-L-SSS0S			± 45		3		480			466	1097
A-00-03000/06000-020-LL-E-L-SSS0S	3000	6000	± 20	200	1	199637	270	3405	6405	655	752
A-00-03000/06000-040-LL-E-L-SSS0S			± 40		2		375			327	964
A-00-03000/06000-060-LL-E-L-SSS0S			± 60		3		480			218	1176

Axial, rectangular metallic expansion joint

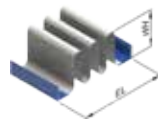
Compensator Properties	Design Temperature	≤ 530 °C
	Design Pressure	100 mbar
	Bellow Material	1.5415
	Corner Type	Double Miter
	Connection	Angle Flange
	Connection Material	1.5415
	Profile WH 80mm	L60x6
Profile WH 150/200mm	L80x8	
Sleeve Material	1.5415	
Thickness WH 80mm	3 mm	
Thickness WH 150/200mm	5 mm	
Cycles	≥ 1000	



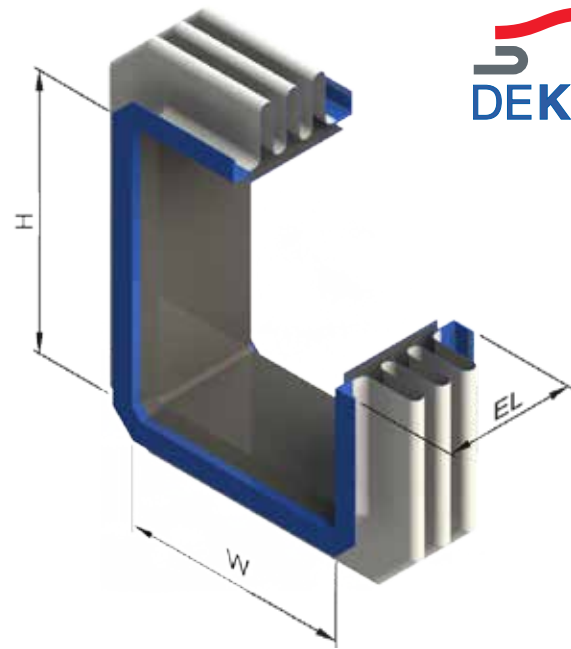
1 convolution



2 convolutions



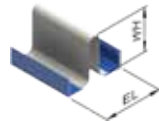
3 convolutions



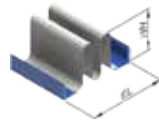
DEKOMTE Article Number	Clear Opening		Maximum Movement	Convolution Height WH	Number of Convolutions	Effective Area	Installation Length EL	Overall Dimension		Axial Adjustment Force	Weight
	Width W	Height H						Width	Height H		
	[mm]	[mm]						[mm]	[mm]		
A-00-03500/03500-015-LL-E-L-SSS0S	3500	3500	± 15	150	1	134225	270	3805	3805	1096	567
A-00-03500/03500-030-LL-E-L-SSS0S			± 30		2		375			548	712
A-00-03500/03500-045-LL-E-L-SSS0S			± 45		3		480			365	857
A-00-03500/03500-020-LL-E-L-SSS0S	3500	3500	± 20	200	1	137787	270	3905	3905	516	588
A-00-03500/03500-040-LL-E-L-SSS0S			± 40		2		375			258	754
A-00-03500/03500-060-LL-E-L-SSS0S			± 60		3		480			172	920
A-00-03500/07000-015-LL-E-L-SSS0S	3500	7000	± 15	150	1	262588	270	3805	7305	1622	845
A-00-03500/07000-030-LL-E-L-SSS0S			± 30		2		375			811	1061
A-00-03500/07000-045-LL-E-L-SSS0S			± 45		3		480			541	1277
A-00-03500/07000-020-LL-E-L-SSS0S	3500	7000	± 20	200	1	267900	270	3905	7405	759	876
A-00-03500/07000-040-LL-E-L-SSS0S			± 40		2		375			380	1122
A-00-03500/07000-060-LL-E-L-SSS0S			± 60		3		480			253	1368
A-00-04000/04000-015-LL-E-L-SSS0S	4000	4000	± 15	150	1	173400	270	4305	4305	1247	646
A-00-04000/04000-030-LL-E-L-SSS0S			± 30		2		375			623	812
A-00-04000/04000-045-LL-E-L-SSS0S			± 45		3		480			416	977
A-00-04000/04000-020-LL-E-L-SSS0S	4000	4000	± 20	200	1	177462	270	4405	4405	585	670
A-00-04000/04000-040-LL-E-L-SSS0S			± 40		2		375			293	859
A-00-04000/04000-060-LL-E-L-SSS0S			± 60		3		480			195	1048
A-00-04000/08000-015-LL-E-L-SSS0S	4000	8000	± 15	150	1	340100	270	4305	8305	1848	964
A-00-04000/08000-030-LL-E-L-SSS0S			± 30		2		375			924	1211
A-00-04000/08000-045-LL-E-L-SSS0S			± 45		3		480			616	1457
A-00-04000/08000-020-LL-E-L-SSS0S	4000	8000	± 20	200	1	346162	270	4405	8405	864	999
A-00-04000/08000-040-LL-E-L-SSS0S			± 40		2		375			432	1280
A-00-04000/08000-060-LL-E-L-SSS0S			± 60		3		480			288	1560
A-00-04500/04500-015-LL-E-L-SSS0S	4500	4500	± 15	150	1	217575	270	4805	4805	1397	726
A-00-04500/04500-030-LL-E-L-SSS0S			± 30		2		375			698	911
A-00-04500/04500-045-LL-E-L-SSS0S			± 45		3		480			466	1097
A-00-04500/04500-020-LL-E-L-SSS0S	4500	4500	± 20	200	1	222137	270	4905	4905	655	752
A-00-04500/04500-040-LL-E-L-SSS0S			± 40		2		375			327	964
A-00-04500/04500-060-LL-E-L-SSS0S			± 60		3		480			218	1176

Axial, rectangular metallic expansion joint

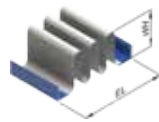
Compensator Properties	Design Temperature	≤ 530 °C
	Design Pressure	100 mbar
	Bellow Material	1.5415
	Corner Type	Double Miter
	Connection	Angle Flange
	Connection Material	1.5415
	Profile WH 80mm	L60x6
Profile WH 150/200mm	L80x8	
Sleeve Material	1.5415	
Thickness WH 80mm	3 mm	
Thickness WH 150/200mm	5 mm	
Cycles	≥ 1000	



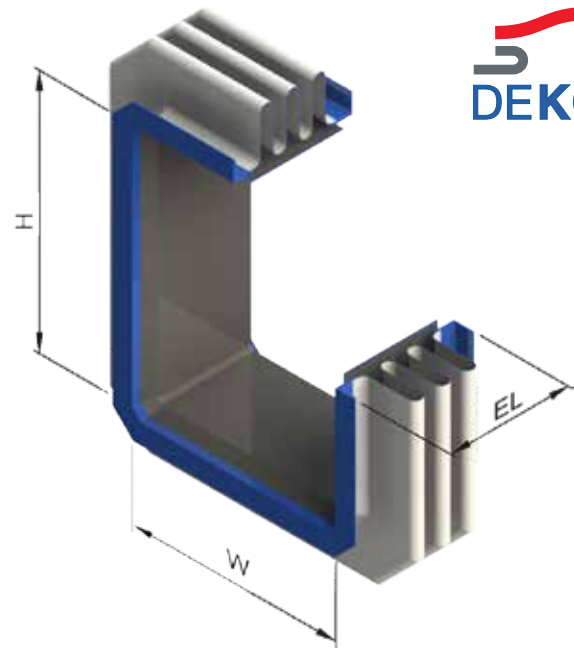
1 convolution



2 convolutions



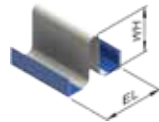
3 convolutions



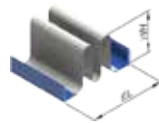
DEKOMTE Article Number	Clear Opening		Maximum Movement	Convolution Height WH	Number of Convolutions	Effective Area	Installation Length EL	Overall Dimension		Axial Adjustment Force	Weight
	Width W	Height H						Width	Height H		
	[mm]	[mm]						[mm]	[mm]		
A-00-04500/09000-015-LL-E-L-SSS0S	4500	9000	± 15	150	1	427613	270	4805	9305	2073	1084
A-00-04500/09000-030-LL-E-L-SSS0S			± 30		2		375			1036	1361
A-00-04500/09000-045-LL-E-L-SSS0S			± 45		3		480			691	1638
A-00-04500/09000-020-LL-E-L-SSS0S	4500	9000	± 20	200	1	434425	270	4905	9405	968	1122
A-00-04500/09000-040-LL-E-L-SSS0S			± 40		2		375			484	1437
A-00-04500/09000-060-LL-E-L-SSS0S			± 60		3		480			323	1753
A-00-05000/05000-015-LL-E-L-SSS0S	5000	5000	± 15	150	1	266750	270	5305	5305	1547	805
A-00-05000/05000-030-LL-E-L-SSS0S			± 30		2		375			774	1011
A-00-05000/05000-045-LL-E-L-SSS0S			± 45		3		480			516	1217
A-00-05000/05000-020-LL-E-L-SSS0S	5000	5000	± 20	200	1	271812	270	5405	5405	725	834
A-00-05000/05000-040-LL-E-L-SSS0S			± 40		2		375			362	1069
A-00-05000/05000-060-LL-E-L-SSS0S			± 60		3		480			242	1304
A-00-05000/10000-015-LL-E-L-SSS0S	5000	10000	± 15	150	1	525125	270	5305	10305	2298	1203
A-00-05000/10000-030-LL-E-L-SSS0S			± 30		2		375			1149	1510
A-00-05000/10000-045-LL-E-L-SSS0S			± 45		3		480			766	1818
A-00-05000/10000-020-LL-E-L-SSS0S	5000	10000	± 20	200	1	532687	270	5405	10405	1073	1245
A-00-05000/10000-040-LL-E-L-SSS0S			± 40		2		375			536	1595
A-00-05000/10000-060-LL-E-L-SSS0S			± 60		3		480			358	1945
A-00-05500/05500-015-LL-E-L-SSS0S	5500	5500	± 15	150	1	320925	270	5805	5805	1697	885
A-00-05500/05500-030-LL-E-L-SSS0S			± 30		2		375			849	1111
A-00-05500/05500-045-LL-E-L-SSS0S			± 45		3		480			566	1337
A-00-05500/05500-020-LL-E-L-SSS0S	5500	5500	± 20	200	1	326487	270	5905	5905	794	917
A-00-05500/05500-040-LL-E-L-SSS0S			± 40		2		375			397	1174
A-00-05500/05500-060-LL-E-L-SSS0S			± 60		3		480			265	1432
A-00-05500/11000-015-LL-E-L-SSS0S	5500	11000	± 15	150	1	632638	270	5805	11305	2523	1322
A-00-05500/11000-030-LL-E-L-SSS0S			± 30		2		375			1262	1660
A-00-05500/11000-045-LL-E-L-SSS0S			± 45		3		480			841	1998
A-00-05500/11000-020-LL-E-L-SSS0S	5500	11000	± 20	200	1	640950	270	5905	11405	1177	1369
A-00-05500/11000-040-LL-E-L-SSS0S			± 40		2		375			589	1753
A-00-05500/11000-060-LL-E-L-SSS0S			± 60		3		480			392	2137

Axial, rectangular metallic expansion joint

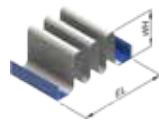
Compensator Properties	Design Temperature	≤ 530 °C
	Design Pressure	100 mbar
	Bellow Material	1.5415
	Corner Type	Double Miter
	Connection	Angle Flange
	Connection Material	1.5415
	Profile WH 80mm	L60x6
Profile WH 150/200mm	L80x8	
Sleeve Material	1.5415	
Thickness WH 80mm	3 mm	
Thickness WH 150/200mm	5 mm	
Cycles	≥ 1000	



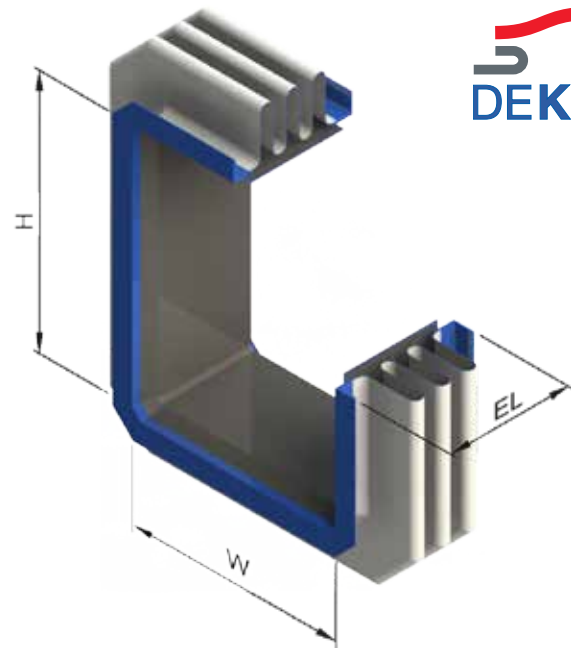
1 convolution



2 convolutions



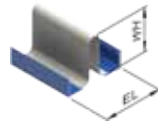
3 convolutions



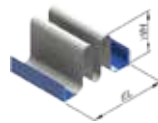
DEKOMTE Article Number	Clear Opening		Maximum Movement	Convolution Height WH	Number of Convolutions	Effective Area	Installation Length EL	Overall Dimension		Axial Adjustment Force	Weight
	Width W	Height H						Width	Height H		
	[mm]	[mm]						[mm]	[mm]		
A-00-06000/06000-015-LL-E-L-SSS0S	6000	6000	± 15	150	1	380100	270	6305	6305	1848	964
A-00-06000/06000-030-LL-E-L-SSS0S			± 30		2		375			924	1211
A-00-06000/06000-045-LL-E-L-SSS0S			± 45		3		480			616	1457
A-00-06000/06000-020-LL-E-L-SSS0S	6000	6000	± 20	200	1	386162	270	6405	6405	864	999
A-00-06000/06000-040-LL-E-L-SSS0S			± 40		2		375			432	1280
A-00-06000/06000-060-LL-E-L-SSS0S			± 60		3		480			288	1560
A-00-06000/12000-015-LL-E-L-SSS0S	6000	12000	± 15	150	1	750150	270	6305	12305	2749	1442
A-00-06000/12000-030-LL-E-L-SSS0S			± 30		2		375			1374	1810
A-00-06000/12000-045-LL-E-L-SSS0S			± 45		3		480			916	2178
A-00-06000/12000-020-LL-E-L-SSS0S	6000	12000	± 20	200	1	759212	270	6405	12405	1282	1492
A-00-06000/12000-040-LL-E-L-SSS0S			± 40		2		375			641	1911
A-00-06000/12000-060-LL-E-L-SSS0S			± 60		3		480			427	2330
A-00-06500/06500-015-LL-E-L-SSS0S	6500	6500	± 15	150	1	444275	270	6805	6805	1998	1044
A-00-06500/06500-030-LL-E-L-SSS0S			± 30		2		375			999	1311
A-00-06500/06500-045-LL-E-L-SSS0S			± 45		3		480			666	1578
A-00-06500/06500-020-LL-E-L-SSS0S	6500	6500	± 20	200	1	450837	270	6905	6905	934	1081
A-00-06500/06500-040-LL-E-L-SSS0S			± 40		2		375			467	1385
A-00-06500/06500-060-LL-E-L-SSS0S			± 60		3		480			311	1689
A-00-06500/13000-015-LL-E-L-SSS0S	6500	13000	± 15	150	1	877663	270	6805	13305	2974	1561
A-00-06500/13000-030-LL-E-L-SSS0S			± 30		2		375			1487	1960
A-00-06500/13000-045-LL-E-L-SSS0S			± 45		3		480			991	2358
A-00-06500/13000-020-LL-E-L-SSS0S	6500	13000	± 20	200	1	887475	270	6905	13405	1386	1615
A-00-06500/13000-040-LL-E-L-SSS0S			± 40		2		375			693	2069
A-00-06500/13000-060-LL-E-L-SSS0S			± 60		3		480			462	2522
A-00-07000/07000-015-LL-E-L-SSS0S	7000	7000	± 15	150	1	513450	270	7305	7305	2148	1123
A-00-07000/07000-030-LL-E-L-SSS0S			± 30		2		375			1074	1411
A-00-07000/07000-045-LL-E-L-SSS0S			± 45		3		480			716	1698
A-00-07000/07000-020-LL-E-L-SSS0S	7000	7000	± 20	200	1	520512	270	7405	7405	1003	1163
A-00-07000/07000-040-LL-E-L-SSS0S			± 40		2		375			502	1490
A-00-07000/07000-060-LL-E-L-SSS0S			± 60		3		480			334	1817

Axial, rectangular metallic expansion joint

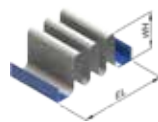
Compensator Properties	Design Temperature	≤ 530 °C
	Design Pressure	100 mbar
	Bellow Material	1.5415
	Corner Type	Double Miter
	Connection	Angle Flange
	Connection Material	1.5415
	Profile WH 80mm	L60x6
Profile WH 150/200mm	L80x8	
Sleeve Material	1.5415	
Thickness WH 80mm	3 mm	
Thickness WH 150/200mm	5 mm	
Cycles	≥ 1000	



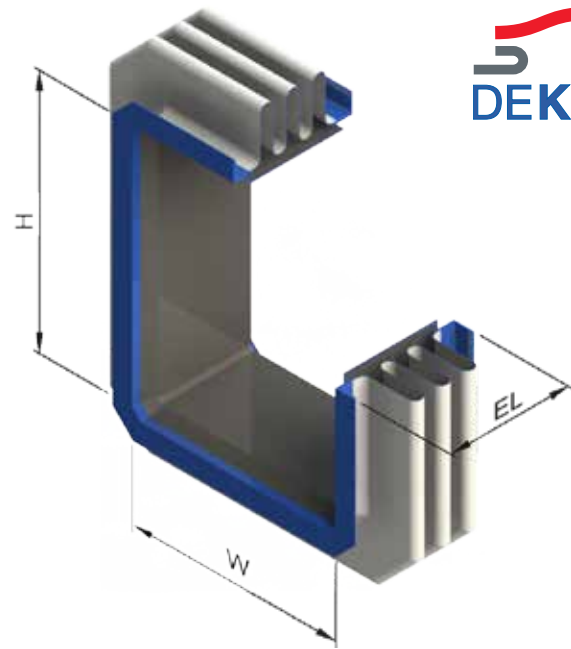
1 convolution



2 convolutions



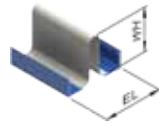
3 convolutions



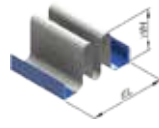
DEKOMTE Article Number	Clear Opening		Maximum Movement	Convolution Height WH	Number of Convolutions	Effective Area	Installation Length EL	Overall Dimension		Axial Adjustment Force	Weight
	Width W	Height H						Width	Height H		
	[mm]	[mm]						[mm]	[mm]		
A-00-07000/14000-015-LL-E-L-SSS0S	7000	14000	± 15	150	1	1015175	270	7305	14305	3199	1680
A-00-07000/14000-030-LL-E-L-SSS0S			± 30		2		375			1600	2109
A-00-07000/14000-045-LL-E-L-SSS0S			± 45		3		480			1066	2538
A-00-07000/14000-020-LL-E-L-SSS0S	7000	14000	± 20	200	1	1025737	270	7405	14405	1491	1739
A-00-07000/14000-040-LL-E-L-SSS0S			± 40		2		375			745	2226
A-00-07000/14000-060-LL-E-L-SSS0S			± 60		3		480			497	2714
A-00-07500/7500-015-LL-E-L-SSS0S	7500	7500	± 15	150	1	587625	270	7805	7805	2298	1203
A-00-07500/7500-030-LL-E-L-SSS0S			± 30		2		375			1149	1510
A-00-07500/7500-045-LL-E-L-SSS0S			± 45		3		480			766	1818
A-00-07500/7500-020-LL-E-L-SSS0S	7500	7500	± 20	200	1	595187	270	7905	7905	1073	1245
A-00-07500/7500-040-LL-E-L-SSS0S			± 40		2		375			536	1595
A-00-07500/7500-060-LL-E-L-SSS0S			± 60		3		480			358	1945
A-00-07500/15000-015-LL-E-L-SSS0S	7500	15000	± 15	150	1	1162688	270	7805	15305	3425	1799
A-00-07500/15000-030-LL-E-L-SSS0S			± 30		2		375			1712	2259
A-00-07500/15000-045-LL-E-L-SSS0S			± 45		3		480			1142	2719
A-00-07500/15000-020-LL-E-L-SSS0S	7500	15000	± 20	200	1	1174000	270	7905	15405	1595	1862
A-00-07500/15000-040-LL-E-L-SSS0S			± 40		2		375			798	2384
A-00-07500/15000-060-LL-E-L-SSS0S			± 60		3		480			532	2906
A-00-08000/08000-015-LL-E-L-SSS0S	8000	8000	± 15	150	1	666800	270	8305	8305	2448	1283
A-00-08000/08000-030-LL-E-L-SSS0S			± 30		2		375			1224	1610
A-00-08000/08000-045-LL-E-L-SSS0S			± 45		3		480			816	1938
A-00-08000/08000-020-LL-E-L-SSS0S	8000	8000	± 20	200	1	674862	270	8405	8405	1143	1328
A-00-08000/08000-040-LL-E-L-SSS0S			± 40		2		375			571	1700
A-00-08000/08000-060-LL-E-L-SSS0S			± 60		3		480			381	2073
A-00-08000/16000-015-LL-E-L-SSS0S	8000	16000	± 15	150	1	1320200	270	8305	16305	3650	1919
A-00-08000/16000-030-LL-E-L-SSS0S			± 30		2		375			1825	2409
A-00-08000/16000-045-LL-E-L-SSS0S			± 45		3		480			1217	2899
A-00-08000/16000-020-LL-E-L-SSS0S	8000	16000	± 20	200	1	1332262	270	8405	16405	1700	1985
A-00-08000/16000-040-LL-E-L-SSS0S			± 40		2		375			850	2542
A-00-08000/16000-060-LL-E-L-SSS0S			± 60		3		480			567	3099

Axial, rectangular metallic expansion joint

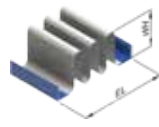
Compensator Properties	Design Temperature	≤ 530 °C
	Design Pressure	100 mbar
	Bellow Material	1.5415
	Corner Type	Double Miter
	Connection	Angle Flange
	Connection Material	1.5415
	Profile WH 80mm	L60x6
Profile WH 150/200mm	L80x8	
Sleeve Material	1.5415	
Thickness WH 80mm	3 mm	
Thickness WH 150/200mm	5 mm	
Cycles	≥ 1000	



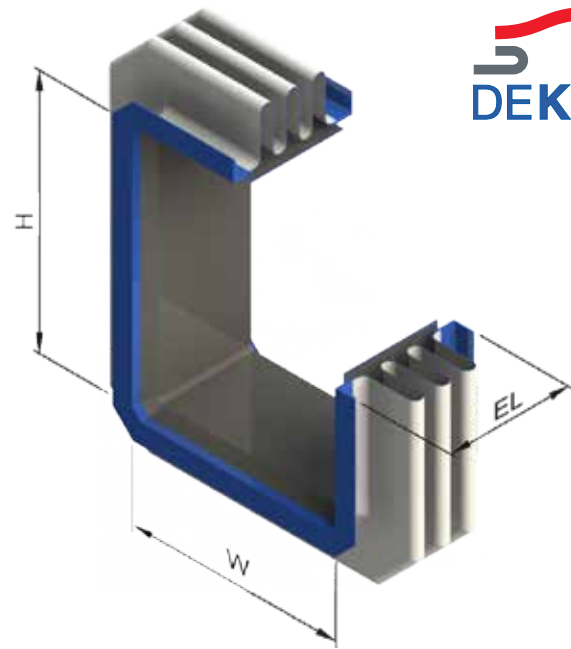
1 convolution



2 convolutions



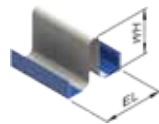
3 convolutions



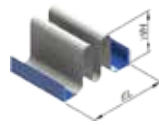
DEKOMTE Article Number	Clear Opening		Maximum Movement	Convolution Height WH	Number of Convolutions	Effective Area	Installation Length EL	Overall Dimension		Axial Adjustment Force	Weight
	Width W	Height H						Width	Height H		
	[mm]	[mm]						[mm]	[mm]		
A-00-08500/08500-015-LL-E-L-SSS0S	8500	8500	± 15	150	1	750975	270	8805	8805	2599	1362
A-00-08500/08500-030-LL-E-L-SSS0S			± 30		2		375			1299	1710
A-00-08500/08500-045-LL-E-L-SSS0S			± 45		3		480			866	2058
A-00-08500/08500-020-LL-E-L-SSS0S	8500	8500	± 20	200	1	759537	270	8905	8905	1212	1410
A-00-08500/08500-040-LL-E-L-SSS0S			± 40		2		375			606	1806
A-00-08500/08500-060-LL-E-L-SSS0S			± 60		3		480			404	2201
A-00-08500/17000-015-LL-E-L-SSS0S	8500	17000	± 15	150	1	1487713	270	8805	17305	3875	2038
A-00-08500/17000-030-LL-E-L-SSS0S			± 30		2		375			1938	2559
A-00-08500/17000-045-LL-E-L-SSS0S			± 45		3		480			1292	3079
A-00-08500/17000-020-LL-E-L-SSS0S	8500	17000	± 20	200	1	1500525	270	8905	17405	1804	2109
A-00-08500/17000-040-LL-E-L-SSS0S			± 40		2		375			902	2700
A-00-08500/17000-060-LL-E-L-SSS0S			± 60		3		480			601	3291
A-00-09000/09000-015-LL-E-L-SSS0S	9000	9000	± 15	150	1	840150	270	9305	9305	2749	1442
A-00-09000/09000-030-LL-E-L-SSS0S			± 30		2		375			1374	1810
A-00-09000/09000-045-LL-E-L-SSS0S			± 45		3		480			916	2178
A-00-09000/09000-020-LL-E-L-SSS0S	9000	9000	± 20	200	1	849212	270	9405	9405	1282	1492
A-00-09000/09000-040-LL-E-L-SSS0S			± 40		2		375			641	1911
A-00-09000/09000-060-LL-E-L-SSS0S			± 60		3		480			427	2330
A-00-09000/18000-015-LL-E-L-SSS0S	9000	18000	± 15	150	1	1665225	270	9305	18305	4101	2157
A-00-09000/18000-030-LL-E-L-SSS0S			± 30		2		375			2050	2708
A-00-09000/18000-045-LL-E-L-SSS0S			± 45		3		480			1367	3259
A-00-09000/18000-020-LL-E-L-SSS0S	9000	18000	± 20	200	1	1678787	270	9405	18405	1909	2232
A-00-09000/18000-040-LL-E-L-SSS0S			± 40		2		375			954	2858
A-00-09000/18000-060-LL-E-L-SSS0S			± 60		3		480			636	3483
A-00-09500/09500-015-LL-E-L-SSS0S	9500	9500	± 15	150	1	934325	270	9805	9805	2899	1521
A-00-09500/09500-030-LL-E-L-SSS0S			± 30		2		375			1449	1910
A-00-09500/09500-045-LL-E-L-SSS0S			± 45		3		480			966	2298
A-00-09500/09500-020-LL-E-L-SSS0S	9500	9500	± 20	200	1	943887	270	9905	9905	1352	1574
A-00-09500/09500-040-LL-E-L-SSS0S			± 40		2		375			676	2016
A-00-09500/09500-060-LL-E-L-SSS0S			± 60		3		480			451	2458

Axial, rectangular metallic expansion joint

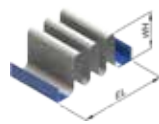
Compensator Properties	Design Temperature	≤ 530 °C
	Design Pressure	100 mbar
	Bellow Material	1.5415
	Corner Type	Double Miter
	Connection	Angle Flange
	Connection Material	1.5415
	Profile WH 80mm	L60x6
Profile WH 150/200mm	L80x8	
Sleeve Material	1.5415	
Thickness WH 80mm	3 mm	
Thickness WH 150/200mm	5 mm	
Cycles	≥ 1000	



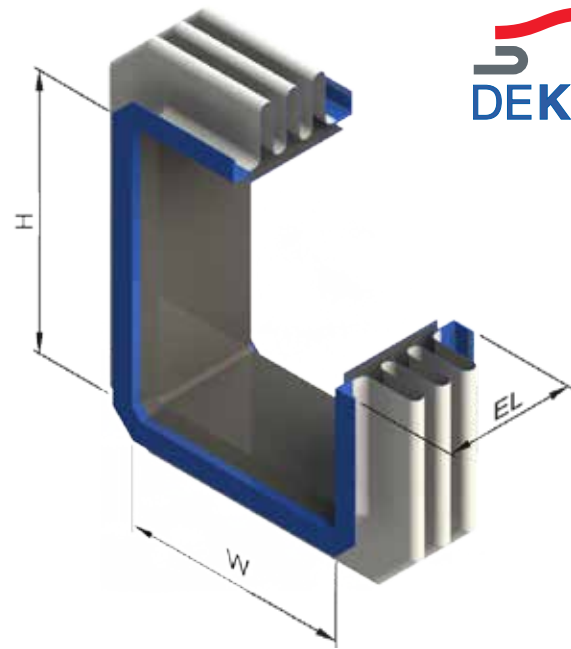
1 convolution



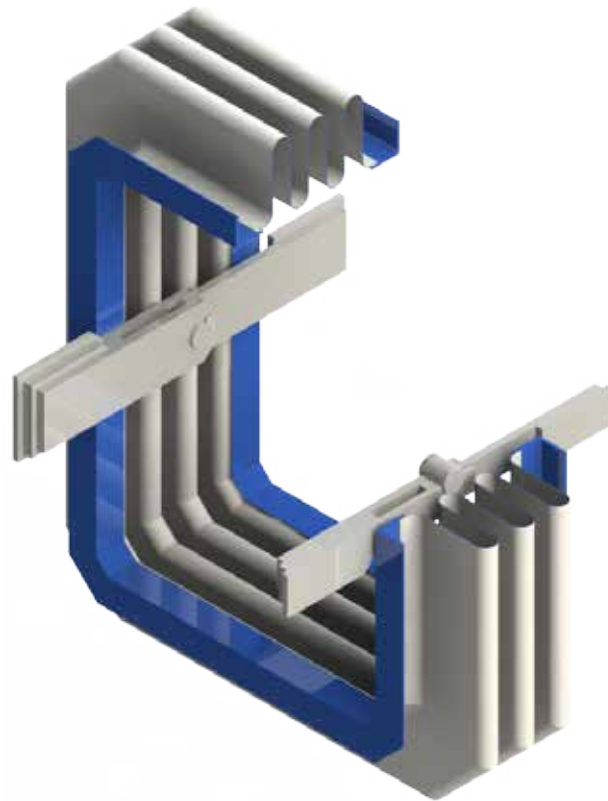
2 convolutions



3 convolutions



DEKOMTE Article Number	Clear Opening		Maximum Movement	Convolution Height WH	Number of Convolutions	Effective Area	Installation Length EL	Overall Dimension		Axial Adjustment Force	Weight
	Width W	Height H						Width	Height H		
	[mm]	[mm]						[mm]	[mm]		
A-00-09500/19000-015-LL-E-L-SSS0S	9500	19000	± 15	150	1	1852738	270	9805	19305	4326	2277
A-00-09500/19000-030-LL-E-L-SSS0S			± 30		2		375			2163	2858
A-00-09500/19000-045-LL-E-L-SSS0S			± 45		3		480			1442	3439
A-00-09500/19000-020-LL-E-L-SSS0S	9500	19000	± 20	200	1	1867050	270	9905	19405	2013	2355
A-00-09500/19000-040-LL-E-L-SSS0S			± 40		2		375			1007	3015
A-00-09500/19000-060-LL-E-L-SSS0S			± 60		3		480			671	3675
A-00-10000/10000-015-LL-E-L-SSS0S	10000	10000	± 15	150	1	1033500	270	10305	10305	3049	1601
A-00-10000/10000-030-LL-E-L-SSS0S			± 30		2		375			1525	2010
A-00-10000/10000-045-LL-E-L-SSS0S			± 45		3		480			1016	2418
A-00-10000/10000-020-LL-E-L-SSS0S	10000	10000	± 20	200	1	1043562	270	10405	10405	1421	1657
A-00-10000/10000-040-LL-E-L-SSS0S			± 40		2		375			711	2121
A-00-10000/10000-060-LL-E-L-SSS0S			± 60		3		480			474	2586
A-00-10000/20000-015-LL-E-L-SSS0S	10000	20000	± 15	150	1	2050250	270	10305	20305	4551	2396
A-00-10000/20000-030-LL-E-L-SSS0S			± 30		2		375			2276	3008
A-00-10000/20000-045-LL-E-L-SSS0S			± 45		3		480			1517	3620
A-00-10000/20000-020-LL-E-L-SSS0S	10000	20000	± 20	200	1	2065312	270	10405	20405	2118	2479
A-00-10000/20000-040-LL-E-L-SSS0S			± 40		2		375			1059	3173
A-00-10000/20000-060-LL-E-L-SSS0S			± 60		3		480			706	3868



Angular expansion joints exclusively absorb angular movement in one plane and are referred to as hinged expansion joints. If angular movements in spherical compensation systems have to be absorbed, the use of gimbal expansion joints becomes necessary.

Axial reaction forces of angular and gimbal expansion joints are absorbed by the hinges. Therefore there are no special requirements concerning pipe layout and selection of fixed points. Angular adjustment force and friction moment of the hinges have to be considered.

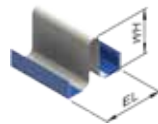
Axial movements of specially designed expansion joints are enabled by slotted holes in the hinge. This changes the prerequisites for the bearings and fixed points in the system.

Appropriate design selection and optimization of expansion joints can dramatically reduce costs. We gladly advise you on the basis of your specific case and provide you with all the necessary information about stretch absorption and reaction forces.

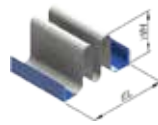
The maximum movement in degrees given on the following pages refers to the rotation around the hinge axis. Turning around other axes is not considered.

Angular, rectangular metallic expansion joint

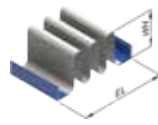
Compensator Properties	Design Temperature	≤ 300 °C
	Design Pressure	100 mbar
	Bellow Material	1.0330
	Corner Type	Double Miter
	Connection	Angle Flange
	Connection Material	1.0038
	Profile WH 80mm	L60x6
Profile WH 150/200mm	L80x8	
Cycles	≥ 1000	



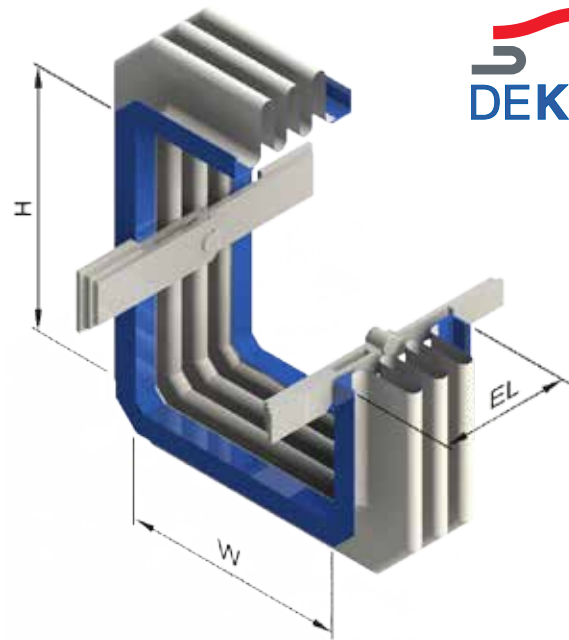
1 convolution



2 convolutions



3 convolutions

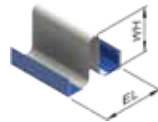


DEKOMTE Article Number	Clear Opening		Maximum Movement	Convolution Height WH	Number of Convolutions	Effective Area	Installation Length EL	Overall Dimension		Angular Adjustment Force	Weight
	Width W	Height H						Width	Height H		
	[mm]	[mm]						[mm]	[mm]		
W-00-00300/00300-019-LL-E-AAB0	300	300	± 1,9	80	1	1416	200	465	465	0,57	105
W-00-00300/00300-038-LL-E-AAB0			± 3,8		2		270			0,29	139
W-00-00300/00300-058-LL-E-AAB0			± 5,8		3		340			0,19	173
W-00-00300/00600-019-LL-E-AAB0	300	600	± 1,9	80	1	2597	200	465	765	0,92	116
W-00-00300/00600-038-LL-E-AAB0			± 3,8		2		270			0,46	152
W-00-00300/00600-058-LL-E-AAB0			± 5,8		3		340			0,31	188
W-00-00400/00400-015-LL-E-AAB0	400	400	± 1,5	80	1	2303	200	565	565	1,16	113
W-00-00400/00400-030-LL-E-AAB0			± 3,0		2		270			0,58	148
W-00-00400/00400-045-LL-E-AAB0			± 4,5		3		340			0,39	183
W-00-00400/00800-015-LL-E-AAB0	400	800	± 1,5	80	1	4277	200	565	965	1,88	127
W-00-00400/00800-030-LL-E-AAB0			± 3,0		2		270			0,94	165
W-00-00400/00800-045-LL-E-AAB0			± 4,5		3		340			0,63	203
W-00-00500/00500-012-LL-E-AAB0	500	500	± 1,2	80	1	3390	200	665	665	2,04	120
W-00-00500/00500-025-LL-E-AAB0			± 2,5		2		270			1,02	156
W-00-00500/00500-038-LL-E-AAB0			± 3,8		3		340			0,68	193
W-00-00500/00500-033-LL-E-AAB0	500	500	± 3,3	150	1	4175	270	805	805	0,48	178
W-00-00500/00500-066-LL-E-AAB0			± 6,6		2		375			0,24	234
W-00-00500/00500-099-LL-E-AAB0			± 9,9		3		480			0,16	290
W-00-00500/00500-044-LL-E-AAB0	500	500	± 4,4	200	1	4737	270	905	905	0,28	183
W-00-00500/00500-088-LL-E-AAB0			± 8,8		2		375			0,14	244
W-00-00500/00500-132-LL-E-AAB0			± 13,2		3		480			0,09	304
W-00-00500/01000-012-LL-E-AAB0	500	1000	± 1,2	80	1	6358	200	665	1165	3,37	138
W-00-00500/01000-025-LL-E-AAB0			± 2,5		2		270			1,68	178
W-00-00500/01000-038-LL-E-AAB0			± 3,8		3		340			1,12	218
W-00-00500/01000-033-LL-E-AAB0	500	1000	± 3,3	150	1	7513	270	805	1305	0,76	208
W-00-00500/01000-066-LL-E-AAB0			± 6,6		2		375			0,38	270
W-00-00500/01000-099-LL-E-AAB0			± 9,9		3		480			0,25	331
W-00-00500/01000-044-LL-E-AAB0	500	1000	± 4,4	200	1	8325	270	905	1405	0,43	215
W-00-00500/01000-088-LL-E-AAB0			± 8,8		2		375			0,21	282
W-00-00500/01000-132-LL-E-AAB0			± 13,2		3		480			0,14	349

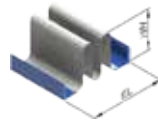
Angular, rectangular metallic expansion joint



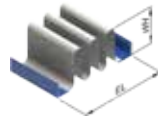
Compensator Properties	Design Temperature	≤ 300 °C
	Design Pressure	100 mbar
	Bellow Material	1.0330
	Corner Type	Double Miter
	Connection	Angle Flange
	Connection Material	1.0038
	Profile WH 80mm	L60x6
Profile WH 150/200mm	L80x8	
Cycles	≥ 1000	



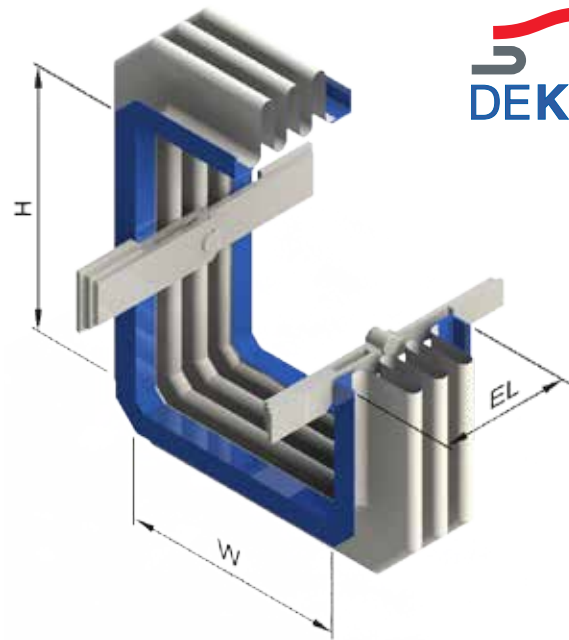
1 convolution



2 convolutions



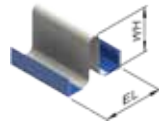
3 convolutions



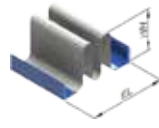
DEKOMTE Article Number	Clear Opening		Maximum Movement	Convolution Height WH	Number of Convolutions	Effective Area	Installation Length EL	Overall Dimension		Angular Adjustment Force	Weight
	Width W	Height H						Width	Height H		
	[mm]	[mm]						[mm]	[mm]		
W-00-00600/00300-010-LL-E-AAB0	600	300	± 1,0	80	1	2597	200	765	465	2,20	116
W-00-00600/00300-021-LL-E-AAB0			± 2,1		2		270			1,10	152
W-00-00600/00300-032-LL-E-AAB0			± 3,2		3		340			0,73	188
W-00-00600/00600-010-LL-E-AAB0	600	600	± 1,0	80	1	4677	200	765	765	3,29	127
W-00-00600/00600-021-LL-E-AAB0			± 2,1		2		270			1,65	165
W-00-00600/00600-032-LL-E-AAB0			± 3,2		3		340			1,10	203
W-00-00600/00600-028-LL-E-AAB0	600	600	± 2,8	150	1	5610	270	905	905	0,74	190
W-00-00600/00600-056-LL-E-AAB0			± 5,6		2		375			0,37	248
W-00-00600/00600-085-LL-E-AAB0			± 8,5		3		480			0,25	306
W-00-00600/00600-038-LL-E-AAB0	600	600	± 3,8	200	1	6272	270	1005	1005	0,42	196
W-00-00600/00600-075-LL-E-AAB0			± 7,5		2		375			0,21	259
W-00-00600/00600-113-LL-E-AAB0			± 11,3		3		480			0,14	322
W-00-00600/01200-010-LL-E-AAB0	600	1200	± 1,0	80	1	8838	200	765	1365	5,48	149
W-00-00600/01200-021-LL-E-AAB0			± 2,1		2		270			2,74	191
W-00-00600/01200-032-LL-E-AAB0			± 3,2		3		340			1,83	233
W-00-00600/01200-028-LL-E-AAB0	600	1200	± 2,8	150	1	10215	270	905	1505	1,18	226
W-00-00600/01200-056-LL-E-AAB0			± 5,6		2		375			0,59	291
W-00-00600/01200-085-LL-E-AAB0			± 8,5		3		480			0,39	355
W-00-00600/01200-038-LL-E-AAB0	600	1200	± 3,8	200	1	11177	270	1005	1605	0,65	233
W-00-00600/01200-075-LL-E-AAB0			± 7,5		2		375			0,32	305
W-00-00600/01200-113-LL-E-AAB0			± 11,3		3		480			0,22	376
W-00-00700/00700-009-LL-E-AAB0	700	700	± 0,9	80	1	6164	200	865	865	4,97	135
W-00-00700/00700-018-LL-E-AAB0			± 1,8		2		270			2,49	174
W-00-00700/00700-028-LL-E-AAB0			± 2,8		3		340			1,66	213
W-00-00700/00700-024-LL-E-AAB0	700	700	± 2,4	150	1	7245	270	1005	1005	1,07	202
W-00-00700/00700-048-LL-E-AAB0			± 4,8		2		375			0,54	263
W-00-00700/00700-073-LL-E-AAB0			± 7,3		3		480			0,36	322
W-00-00700/00700-032-LL-E-AAB0	700	700	± 3,2	200	1	8007	270	1105	1105	0,59	208
W-00-00700/00700-065-LL-E-AAB0			± 6,5		2		375			0,30	274
W-00-00700/00700-097-LL-E-AAB0			± 9,7		3		480			0,20	340

Angular, rectangular metallic expansion joint

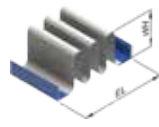
Compensator Properties	Design Temperature	≤ 300 °C
	Design Pressure	100 mbar
	Bellow Material	1.0330
	Corner Type	Double Miter
	Connection	Angle Flange
	Connection Material	1.0038
	Profile WH 80mm	L60x6
Profile WH 150/200mm	L80x8	
Cycles	≥ 1000	



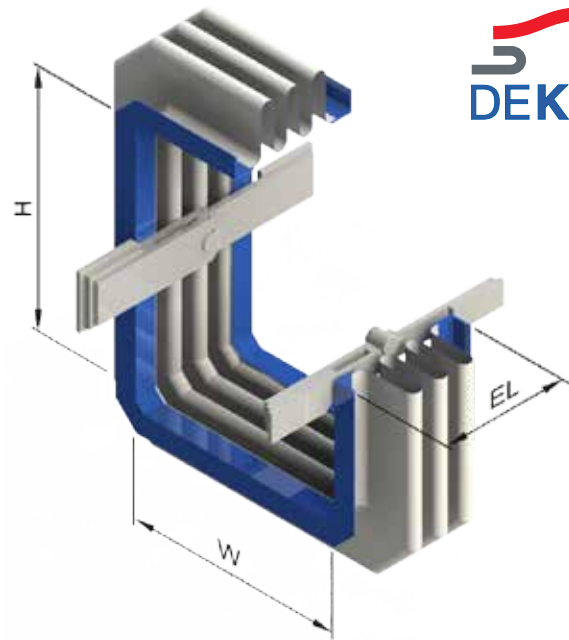
1 convolution



2 convolutions



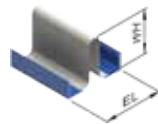
3 convolutions



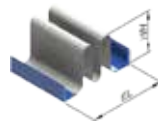
DEKOMTE Article Number	Clear Opening		Maximum Movement	Convolution Height WH	Number of Convolutions	Effective Area	Installation Length EL	Overall Dimension		Angular Adjustment Force	Weight
	Width W	Height H						Width	Height H		
	[mm]	[mm]						[mm]	[mm]		
W-00-00700/01400-009-LL-E-AAB0	700	1400	± 0,9	80	1	11719	200	865	1565	8,32	160
W-00-00700/01400-018-LL-E-AAB0			± 1,8		2		270			4,16	204
W-00-00700/01400-028-LL-E-AAB0			± 2,8		3		340			2,77	248
W-00-00700/01400-024-LL-E-AAB0	700	1400	± 2,4	150	1	13318	270	1005	1705	1,74	244
W-00-00700/01400-048-LL-E-AAB0			± 4,8		2		375			0,87	312
W-00-00700/01400-073-LL-E-AAB0			± 7,3		3		480			0,58	380
W-00-00700/01400-032-LL-E-AAB0	700	1400	± 3,2	200	1	14430	270	1105	1805	0,94	252
W-00-00700/01400-065-LL-E-AAB0			± 6,5		2		375			0,47	328
W-00-00700/01400-097-LL-E-AAB0			± 9,7		3		480			0,31	403
W-00-00800/00400-008-LL-E-AAB0	800	400	± 0,8	80	1	4277	200	965	565	4,71	127
W-00-00800/00400-016-LL-E-AAB0			± 1,6		2		270			2,35	165
W-00-00800/00400-025-LL-E-AAB0			± 2,5		3		340			1,57	203
W-00-00800/00800-008-LL-E-AAB0	800	800	± 0,8	80	1	7851	200	965	965	7,14	142
W-00-00800/00800-016-LL-E-AAB0			± 1,6		2		270			3,57	182
W-00-00800/00800-025-LL-E-AAB0			± 2,5		3		340			2,38	223
W-00-00800/00800-021-LL-E-AAB0	800	800	± 2,1	150	1	9080	270	1105	1105	1,50	214
W-00-00800/00800-042-LL-E-AAB0			± 4,2		2		375			0,75	277
W-00-00800/00800-064-LL-E-AAB0			± 6,4		3		480			0,50	339
W-00-00800/00800-028-LL-E-AAB0	800	800	± 2,8	200	1	9942	270	1205	1205	0,81	221
W-00-00800/00800-057-LL-E-AAB0			± 5,7		2		375			0,41	290
W-00-00800/00800-085-LL-E-AAB0			± 8,5		3		480			0,27	358
W-00-00800/01600-008-LL-E-AAB0	800	1600	± 0,8	80	1	14999	200	965	1765	12,01	171
W-00-00800/01600-016-LL-E-AAB0			± 1,6		2		270			6,00	217
W-00-00800/01600-025-LL-E-AAB0			± 2,5		3		340			4,00	263
W-00-00800/01600-021-LL-E-AAB0	800	1600	± 2,1	150	1	16820	270	1105	1905	2,44	262
W-00-00800/01600-042-LL-E-AAB0			± 4,2		2		375			1,22	333
W-00-00800/01600-064-LL-E-AAB0			± 6,4		3		480			0,81	404
W-00-00800/01600-028-LL-E-AAB0	800	1600	± 2,8	200	1	18082	270	1205	2005	1,30	271
W-00-00800/01600-057-LL-E-AAB0			± 5,7		2		375			0,65	351
W-00-00800/01600-085-LL-E-AAB0			± 8,5		3		480			0,43	430

Angular, rectangular metallic expansion joint

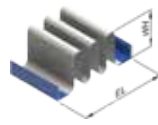
Compensator Properties	Design Temperature	≤ 300 °C
	Design Pressure	100 mbar
	Bellow Material	1.0330
	Corner Type	Double Miter
	Connection	Angle Flange
	Connection Material	1.0038
	Profile WH 80mm	L60x6
Profile WH 150/200mm	L80x8	
Cycles	≥ 1000	



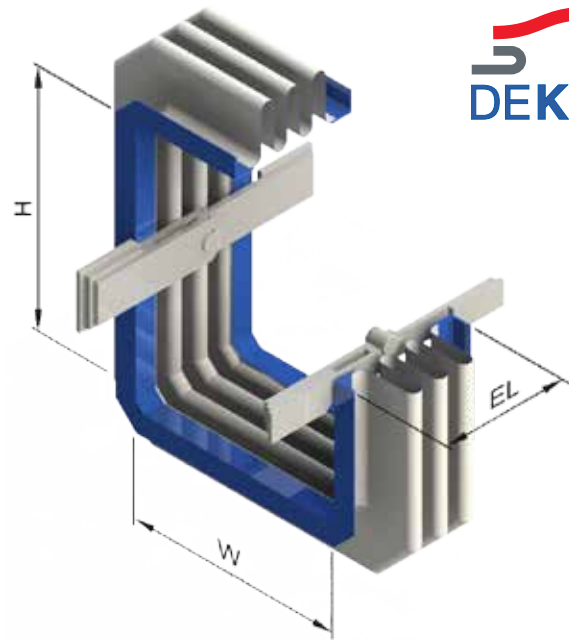
1 convolution



2 convolutions



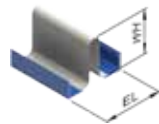
3 convolutions



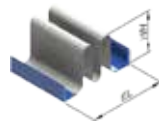
DEKOMTE Article Number	Clear Opening		Maximum Movement	Convolution Height WH	Number of Convolutions	Effective Area	Installation Length EL	Overall Dimension		Angular Adjustment Force	Weight
	Width W	Height H						Width	Height H		
	[mm]	[mm]						[mm]	[mm]		
W-00-00900/00900-007-LL-E-AAB0	900	900	± 0,7	80	1	9738	200	1065	1065	9,86	149
W-00-00900/00900-015-LL-E-AAB0			± 1,5		2		270			4,93	191
W-00-00900/00900-022-LL-E-AAB0			± 2,2		3		340			3,29	233
W-00-00900/00900-019-LL-E-AAB0	900	900	± 1,9	150	1	11115	270	1205	1205	2,02	226
W-00-00900/00900-038-LL-E-AAB0			± 3,8		2		375			1,01	291
W-00-00900/00900-057-LL-E-AAB0			± 5,7		3		480			0,67	355
W-00-00900/00900-025-LL-E-AAB0	900	900	± 2,5	200	1	12077	270	1305	1305	1,08	233
W-00-00900/00900-050-LL-E-AAB0			± 5,0		2		375			0,54	305
W-00-00900/00900-076-LL-E-AAB0			± 7,6		3		480			0,36	376
W-00-00900/01800-007-LL-E-AAB0	900	1800	± 0,7	80	1	18680	200	1065	1965	16,65	182
W-00-00900/01800-015-LL-E-AAB0			± 1,5		2		270			8,33	230
W-00-00900/01800-022-LL-E-AAB0			± 2,2		3		340			5,55	278
W-00-00900/01800-019-LL-E-AAB0	900	1800	± 1,9	150	1	20723	270	1205	2105	3,32	280
W-00-00900/01800-038-LL-E-AAB0			± 3,8		2		375			1,66	355
W-00-00900/01800-057-LL-E-AAB0			± 5,7		3		480			1,11	429
W-00-00900/01800-025-LL-E-AAB0	900	1800	± 2,5	200	1	22135	270	1305	2205	1,74	290
W-00-00900/01800-050-LL-E-AAB0			± 5,0		2		375			0,87	373
W-00-00900/01800-076-LL-E-AAB0			± 7,6		3		480			0,58	457
W-00-01000/00500-006-LL-E-AAB0	1000	500	± 0,6	80	1	6358	200	1165	665	8,62	138
W-00-01000/00500-013-LL-E-AAB0			± 1,3		2		270			4,31	178
W-00-01000/00500-020-LL-E-AAB0			± 2,0		3		340			2,87	218
W-00-01000/00500-017-LL-E-AAB0	1000	500	± 1,7	150	1	7513	270	1305	805	1,79	208
W-00-01000/00500-034-LL-E-AAB0			± 3,4		2		375			0,90	270
W-00-01000/00500-051-LL-E-AAB0			± 5,1		3		480			0,60	331
W-00-01000/00500-023-LL-E-AAB0	1000	500	± 2,3	200	1	8325	270	1405	905	0,96	215
W-00-01000/00500-045-LL-E-AAB0			± 4,5		2		375			0,48	282
W-00-01000/00500-068-LL-E-AAB0			± 6,8		3		480			0,32	349
W-00-01000/01000-006-LL-E-AAB0	1000	1000	± 0,6	80	1	11825	200	1165	1165	13,20	157
W-00-01000/01000-013-LL-E-AAB0			± 1,3		2		270			6,60	200
W-00-01000/01000-020-LL-E-AAB0			± 2,0		3		340			4,40	243

Angular, rectangular metallic expansion joint

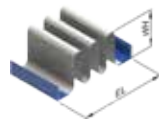
Compensator Properties	Design Temperature	≤ 300 °C
	Design Pressure	100 mbar
	Bellow Material	1.0330
	Corner Type	Double Miter
	Connection	Angle Flange
	Connection Material	1.0038
	Profile WH 80mm	L60x6
Profile WH 150/200mm	L80x8	
Cycles	≥ 1000	



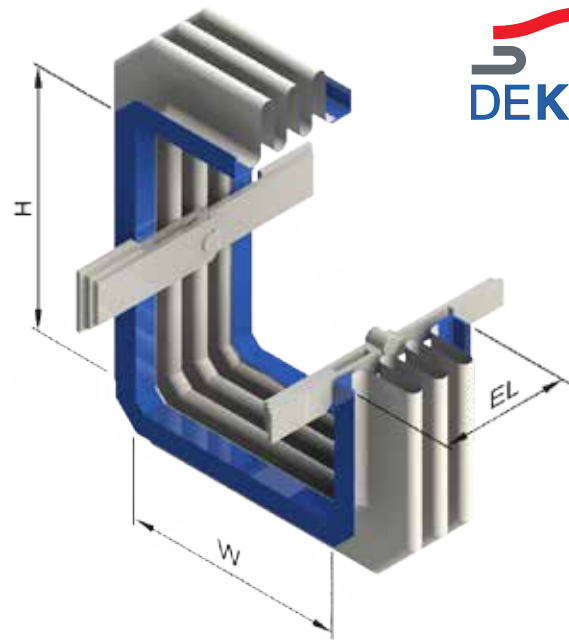
1 convolution



2 convolutions



3 convolutions

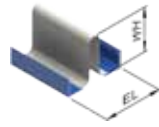


DEKOMTE Article Number	Clear Opening		Maximum Movement	Convolution Height WH	Number of Convolutions	Effective Area	Installation Length EL	Overall Dimension		Angular Adjustment Force	Weight
	Width W	Height H						Width	Height H		
	[mm]	[mm]						[mm]	[mm]		
W-00-01000/01000-017-LL-E-AAB0	1000	1000	± 1,7	150	1	13350	270	1305	1305	2,66	238
W-00-01000/01000-034-LL-E-AAB0			± 3,4		2		375			1,33	305
W-00-01000/01000-051-LL-E-AAB0			± 5,1		3		480			0,89	372
W-00-01000/01000-023-LL-E-AAB0	1000	1000	± 2,3	200	1	14412	270	1405	1405	1,40	246
W-00-01000/01000-045-LL-E-AAB0			± 4,5		2		375			0,70	320
W-00-01000/01000-068-LL-E-AAB0			± 6,8		3		480			0,47	394
W-00-01000/02000-006-LL-E-AAB0	1000	2000	± 0,6	80	1	22760	200	1165	2165	22,37	193
W-00-01000/02000-013-LL-E-AAB0			± 1,3		2		270			11,18	243
W-00-01000/02000-020-LL-E-AAB0			± 2,0		3		340			7,46	293
W-00-01000/02000-017-LL-E-AAB0	1000	2000	± 1,7	150	1	25025	270	1305	2305	4,39	298
W-00-01000/02000-034-LL-E-AAB0			± 3,4		2		375			2,20	376
W-00-01000/02000-051-LL-E-AAB0			± 5,1		3		480			1,46	454
W-00-01000/02000-023-LL-E-AAB0	1000	2000	± 2,3	200	1	26587	270	1405	2405	2,28	309
W-00-01000/02000-045-LL-E-AAB0			± 4,5		2		375			1,14	396
W-00-01000/02000-068-LL-E-AAB0			± 6,8		3		480			0,76	484
W-00-01200/00600-005-LL-E-AAB0	1200	600	± 0,5	80	1	8838	200	1365	765	14,25	149
W-00-01200/00600-011-LL-E-AAB0			± 1,1		2		270			7,12	191
W-00-01200/00600-017-LL-E-AAB0			± 1,7		3		340			4,75	233
W-00-01200/00600-014-LL-E-AAB0	1200	600	± 1,4	150	1	10215	270	1505	905	2,87	226
W-00-01200/00600-028-LL-E-AAB0			± 2,8		2		375			1,43	291
W-00-01200/00600-043-LL-E-AAB0			± 4,3		3		480			0,96	355
W-00-01200/00600-019-LL-E-AAB0	1200	600	± 1,9	200	1	11177	270	1605	1005	1,51	233
W-00-01200/00600-038-LL-E-AAB0			± 3,8		2		375			0,75	305
W-00-01200/00600-057-LL-E-AAB0			± 5,7		3		480			0,50	376
W-00-01200/01200-005-LL-E-AAB0	1200	1200	± 0,5	80	1	16599	200	1365	1365	21,97	171
W-00-01200/01200-011-LL-E-AAB0			± 1,1		2		270			10,99	217
W-00-01200/01200-017-LL-E-AAB0			± 1,7		3		340			7,32	263
W-00-01200/01200-014-LL-E-AAB0	1200	1200	± 1,4	150	1	18420	270	1505	1505	4,30	262
W-00-01200/01200-028-LL-E-AAB0			± 2,8		2		375			2,15	333
W-00-01200/01200-043-LL-E-AAB0			± 4,3		3		480			1,43	404

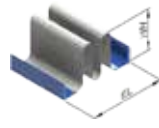
Angular, rectangular metallic expansion joint



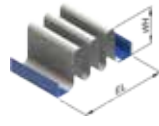
Compensator Properties	Design Temperature	≤ 300 °C
	Design Pressure	100 mbar
	Bellow Material	1.0330
	Corner Type	Double Miter
	Connection	Angle Flange
	Connection Material	1.0038
	Profile WH 80mm	L60x6
Profile WH 150/200mm	L80x8	
Cycles	≥ 1000	



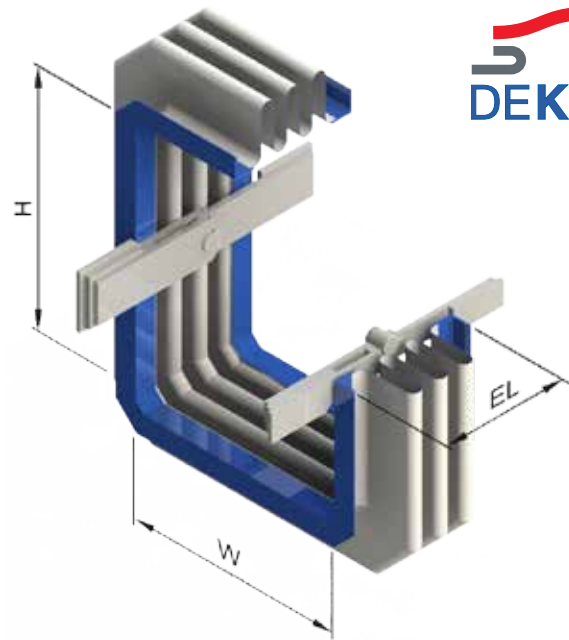
1 convolution



2 convolutions



3 convolutions

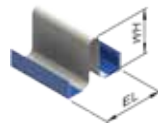


DEKOMTE Article Number	Clear Opening		Maximum Movement	Convolution Height WH	Number of Convolutions	Effective Area	Installation Length EL	Overall Dimension		Angular Adjustment Force	Weight
	Width W	Height H						Width	Height H		
	[mm]	[mm]						[mm]	[mm]		
W-00-01200/01200-019-LL-E-AAB0	1200	1200	± 1,9	200	1	19682	270	1605	1605	2,22	271
W-00-01200/01200-038-LL-E-AAB0			± 3,8		2		375			1,11	351
W-00-01200/01200-057-LL-E-AAB0			± 5,7		3		480			0,74	430
W-00-01200/02400-005-LL-E-AAB0	1200	2400	± 0,5	80	1	32121	200	1365	2565	37,43	215
W-00-01200/02400-011-LL-E-AAB0			± 1,1		2		270			18,71	269
W-00-01200/02400-017-LL-E-AAB0			± 1,7		3		340			12,48	323
W-00-01200/02400-014-LL-E-AAB0	1200	2400	± 1,4	150	1	34830	270	1505	2705	7,17	334
W-00-01200/02400-028-LL-E-AAB0			± 2,8		2		375			3,58	419
W-00-01200/02400-043-LL-E-AAB0			± 4,3		3		480			2,39	503
W-00-01200/02400-019-LL-E-AAB0	1200	2400	± 1,9	200	1	36692	270	1605	2805	3,65	346
W-00-01200/02400-038-LL-E-AAB0			± 3,8		2		375			1,83	442
W-00-01200/02400-057-LL-E-AAB0			± 5,7		3		480			1,22	538
W-00-01400/00700-004-LL-E-AAB0	1400	700	± 0,4	80	1	11719	200	1565	865	21,92	160
W-00-01400/00700-009-LL-E-AAB0			± 0,9		2		270			10,96	204
W-00-01400/00700-014-LL-E-AAB0			± 1,4		3		340			7,31	248
W-00-01400/00700-012-LL-E-AAB0	1400	700	± 1,2	150	1	13318	270	1705	1005	4,30	244
W-00-01400/00700-024-LL-E-AAB0			± 2,4		2		375			2,15	312
W-00-01400/00700-037-LL-E-AAB0			± 3,7		3		480			1,43	380
W-00-01400/00700-016-LL-E-AAB0	1400	700	± 1,6	200	1	14430	270	1805	1105	2,23	252
W-00-01400/00700-033-LL-E-AAB0			± 3,3		2		375			1,12	328
W-00-01400/00700-049-LL-E-AAB0			± 4,9		3		480			0,74	403
W-00-01400/01400-004-LL-E-AAB0	1400	1400	± 0,4	80	1	22173	200	1565	1565	33,97	186
W-00-01400/01400-009-LL-E-AAB0			± 0,9		2		270			16,98	235
W-00-01400/01400-014-LL-E-AAB0			± 1,4		3		340			11,32	283
W-00-01400/01400-012-LL-E-AAB0	1400	1400	± 1,2	150	1	24290	270	1705	1705	6,51	286
W-00-01400/01400-024-LL-E-AAB0			± 2,4		2		375			3,25	362
W-00-01400/01400-037-LL-E-AAB0			± 3,7		3		480			2,17	437
W-00-01400/01400-016-LL-E-AAB0	1400	1400	± 1,6	200	1	25752	270	1805	1805	3,32	296
W-00-01400/01400-033-LL-E-AAB0			± 3,3		2		375			1,66	381
W-00-01400/01400-049-LL-E-AAB0			± 4,9		3		480			1,11	466

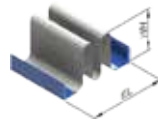
Angular, rectangular metallic expansion joint



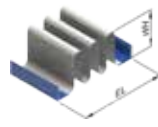
Compensator Properties	Design Temperature	≤ 300 °C
	Design Pressure	100 mbar
	Bellow Material	1.0330
	Corner Type	Double Miter
	Connection	Angle Flange
	Connection Material	1.0038
	Profile WH 80mm	L60x6
Profile WH 150/200mm	L80x8	
Cycles	≥ 1000	



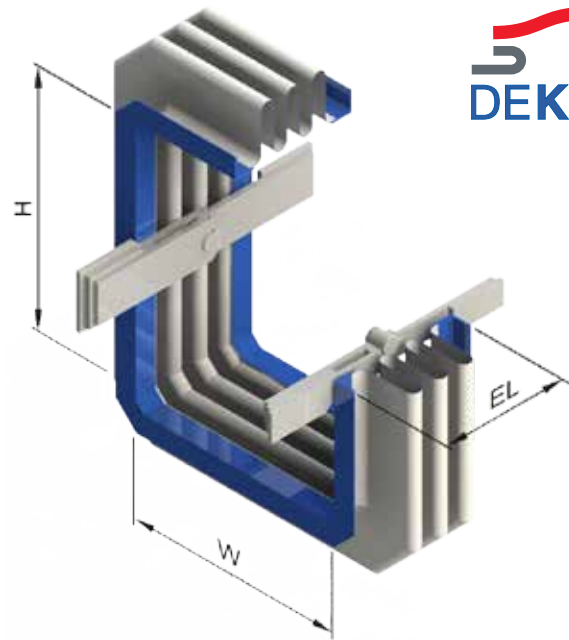
1 convolution



2 convolutions



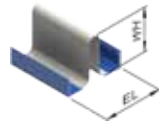
3 convolutions



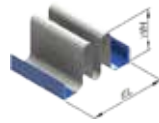
DEKOMTE Article Number	Clear Opening		Maximum Movement	Convolution Height WH	Number of Convolutions	Effective Area	Installation Length EL	Overall Dimension		Angular Adjustment Force	Weight
	Width W	Height H						Width	Height H		
	[mm]	[mm]						[mm]	[mm]		
W-00-01400/02800-004-LL-E-AAB0	1400	2800	± 0,4	80	1	43082	200	1565	2965	58,07	237
W-00-01400/02800-009-LL-E-AAB0			± 0,9		2		270			29,03	295
W-00-01400/02800-014-LL-E-AAB0			± 1,4		3		340			19,36	354
W-00-01400/02800-012-LL-E-AAB0	1400	2800	± 1,2	150	1	46235	270	1705	3105	10,92	370
W-00-01400/02800-024-LL-E-AAB0			± 2,4		2		375			5,46	461
W-00-01400/02800-037-LL-E-AAB0			± 3,7		3		480			3,64	552
W-00-01400/02800-016-LL-E-AAB0	1400	2800	± 1,6	200	1	48397	270	1805	3205	5,50	384
W-00-01400/02800-033-LL-E-AAB0			± 3,3		2		375			2,75	488
W-00-01400/02800-049-LL-E-AAB0			± 4,9		3		480			1,83	592
W-00-01600/00800-004-LL-E-AAB0	1600	800	± 0,4	80	1	14999	200	1765	965	31,94	171
W-00-01600/00800-008-LL-E-AAB0			± 0,8		2		270			15,97	217
W-00-01600/00800-013-LL-E-AAB0			± 1,3		3		340			10,65	263
W-00-01600/00800-011-LL-E-AAB0	1600	800	± 1,1	150	1	16820	270	1905	1105	6,16	262
W-00-01600/00800-021-LL-E-AAB0			± 2,1		2		375			3,08	333
W-00-01600/00800-032-LL-E-AAB0			± 3,2		3		480			2,05	404
W-00-01600/00800-014-LL-E-AAB0	1600	800	± 1,4	200	1	18082	270	2005	1205	3,15	271
W-00-01600/00800-028-LL-E-AAB0			± 2,8		2		375			1,58	351
W-00-01600/00800-043-LL-E-AAB0			± 4,3		3		480			1,05	430
W-00-01600/01600-004-LL-E-AAB0	1600	1600	± 0,4	80	1	28547	200	1765	1765	49,68	201
W-00-01600/01600-008-LL-E-AAB0			± 0,8		2		270			24,84	252
W-00-01600/01600-013-LL-E-AAB0			± 1,3		3		340			16,56	303
W-00-01600/01600-011-LL-E-AAB0	1600	1600	± 1,1	150	1	30960	270	1905	1905	9,37	310
W-00-01600/01600-021-LL-E-AAB0			± 2,1		2		375			4,68	390
W-00-01600/01600-032-LL-E-AAB0			± 3,2		3		480			3,12	470
W-00-01600/01600-014-LL-E-AAB0	1600	1600	± 1,4	200	1	32622	270	2005	2005	4,73	321
W-00-01600/01600-028-LL-E-AAB0			± 2,8		2		375			2,36	412
W-00-01600/01600-043-LL-E-AAB0			± 4,3		3		480			1,58	502
W-00-01600/03200-004-LL-E-AAB0	1600	3200	± 0,4	80	1	55643	200	1765	3365	85,17	259
W-00-01600/03200-008-LL-E-AAB0			± 0,8		2		270			42,59	321
W-00-01600/03200-013-LL-E-AAB0			± 1,3		3		340			28,39	384

Angular, rectangular metallic expansion joint

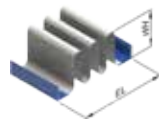
Compensator Properties	Design Temperature	≤ 300 °C
	Design Pressure	100 mbar
	Bellow Material	1.0330
	Corner Type	Double Miter
	Connection	Angle Flange
	Connection Material	1.0038
	Profile WH 80mm	L60x6
Profile WH 150/200mm	L80x8	
Cycles	≥ 1000	



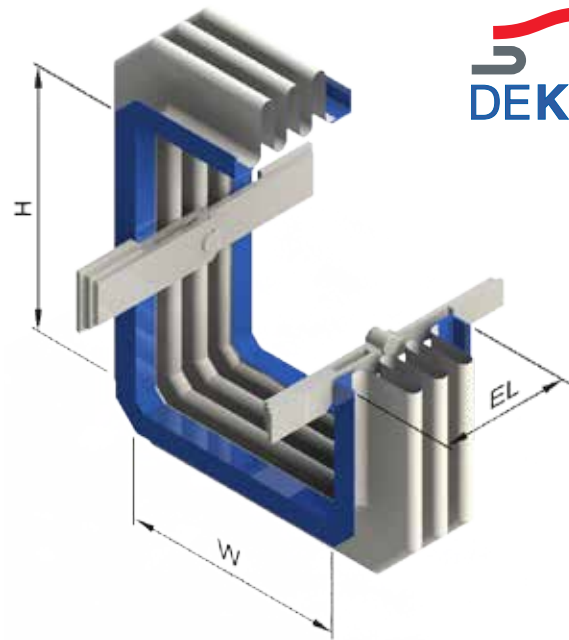
1 convolution



2 convolutions



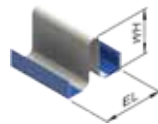
3 convolutions



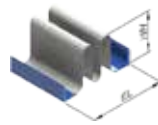
DEKOMTE Article Number	Clear Opening		Maximum Movement	Convolution Height WH	Number of Convolutions	Effective Area	Installation Length EL	Overall Dimension		Angular Adjustment Force	Weight
	Width W	Height H						Width	Height H		
	[mm]	[mm]						[mm]	[mm]		
W-00-01600/03200-011-LL-E-AAB0	1600	3200	± 1,1	150	1	59240	270	1905	3505	15,79	406
W-00-01600/03200-021-LL-E-AAB0			± 2,1		2		375			7,89	504
W-00-01600/03200-032-LL-E-AAB0			± 3,2		3		480			5,26	601
W-00-01600/03200-014-LL-E-AAB0	1600	3200	± 1,4	200	1	61702	270	2005	3605	7,88	421
W-00-01600/03200-028-LL-E-AAB0			± 2,8		2		375			3,94	534
W-00-01600/03200-043-LL-E-AAB0			± 4,3		3		480			2,63	646
W-00-01800/00900-003-LL-E-AAB0	1800	900	± 0,3	80	1	18680	200	1965	1065	44,63	182
W-00-01800/00900-007-LL-E-AAB0			± 0,7		2		270			22,31	230
W-00-01800/00900-011-LL-E-AAB0			± 1,1		3		340			14,88	278
W-00-01800/00900-009-LL-E-AAB0	1800	900	± 0,9	150	1	20723	270	2105	1205	8,47	280
W-00-01800/00900-019-LL-E-AAB0			± 1,9		2		375			4,24	355
W-00-01800/00900-029-LL-E-AAB0			± 2,9		3		480			2,82	429
W-00-01800/00900-013-LL-E-AAB0	1800	900	± 1,3	200	1	22135	270	2205	1305	4,30	290
W-00-01800/00900-025-LL-E-AAB0			± 2,5		2		375			2,15	373
W-00-01800/00900-038-LL-E-AAB0			± 3,8		3		480			1,43	457
W-00-01800/01800-003-LL-E-AAB0	1800	1800	± 0,3	80	1	35721	200	1965	1965	69,62	215
W-00-01800/01800-007-LL-E-AAB0			± 0,7		2		270			34,81	269
W-00-01800/01800-011-LL-E-AAB0			± 1,1		3		340			23,21	323
W-00-01800/01800-009-LL-E-AAB0	1800	1800	± 0,9	150	1	38430	270	2105	2105	12,96	334
W-00-01800/01800-019-LL-E-AAB0			± 1,9		2		375			6,48	419
W-00-01800/01800-029-LL-E-AAB0			± 2,9		3		480			4,32	503
W-00-01800/01800-013-LL-E-AAB0	1800	1800	± 1,3	200	1	40292	270	2205	2205	6,48	346
W-00-01800/01800-025-LL-E-AAB0			± 2,5		2		375			3,24	442
W-00-01800/01800-038-LL-E-AAB0			± 3,8		3		480			2,16	538
W-00-01800/03600-003-LL-E-AAB0	1800	3600	± 0,3	80	1	69804	200	1965	3765	120	281
W-00-01800/03600-007-LL-E-AAB0			± 0,7		2		270			59,81	348
W-00-01800/03600-011-LL-E-AAB0			± 1,1		3		340			39,87	414
W-00-01800/03600-009-LL-E-AAB0	1800	3600	± 0,9	150	1	73845	270	2105	3905	21,93	442
W-00-01800/03600-019-LL-E-AAB0			± 1,9		2		375			10,97	546
W-00-01800/03600-029-LL-E-AAB0			± 2,9		3		480			7,31	651

Angular, rectangular metallic expansion joint

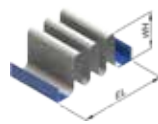
Compensator Properties	Design Temperature	≤ 300 °C
	Design Pressure	100 mbar
	Bellow Material	1.0330
	Corner Type	Double Miter
	Connection	Angle Flange
	Connection Material	1.0038
	Profile WH 80mm	L60x6
Profile WH 150/200mm	L80x8	
Cycles	≥ 1000	



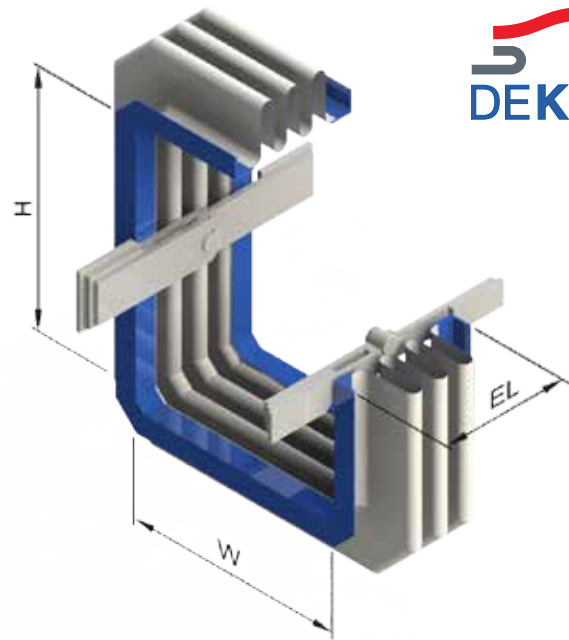
1 convolution



2 convolutions



3 convolutions

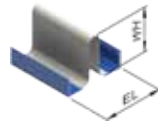


DEKOMTE Article Number	Clear Opening		Maximum Movement	Convolution Height WH	Number of Convolutions	Effective Area	Installation Length EL	Overall Dimension		Angular Adjustment Force	Weight
	Width W	Height H						Width	Height H		
	[mm]	[mm]						[mm]	[mm]		
W-00-01800/03600-013-LL-E-AAB0	1800	3600	± 1,3	200	1	76607	270	2205	4005	10,86	459
W-00-01800/03600-025-LL-E-AAB0			± 2,5		2		375			5,43	580
W-00-01800/03600-038-LL-E-AAB0			± 3,8		3		480			3,62	700
W-00-02000/01000-003-LL-E-AAB0	2000	1000	± 0,3	80	1	22760	200	2165	1165	60,29	193
W-00-02000/01000-007-LL-E-AAB0			± 0,7		2		270			30,15	243
W-00-02000/01000-010-LL-E-AAB0			± 1,0		3		340			20,10	293
W-00-02000/01000-009-LL-E-AAB0	2000	1000	± 0,9	150	1	25025	270	2305	1305	11,31	298
W-00-02000/01000-017-LL-E-AAB0			± 1,7		2		375			5,66	376
W-00-02000/01000-026-LL-E-AAB0			± 2,6		3		480			3,77	454
W-00-02000/01000-011-LL-E-AAB0	2000	1000	± 1,1	200	1	26587	270	2405	1405	5,69	309
W-00-02000/01000-023-LL-E-AAB0			± 2,3		2		375			2,84	396
W-00-02000/01000-034-LL-E-AAB0			± 3,4		3		480			1,90	484
W-00-02000/02000-003-LL-E-AAB0	2000	2000	± 0,3	80	1	43695	200	2165	2165	94,29	230
W-00-02000/02000-007-LL-E-AAB0			± 0,7		2		270			47,15	287
W-00-02000/02000-010-LL-E-AAB0			± 1,0		3		340			31,43	343
W-00-02000/02000-009-LL-E-AAB0	2000	2000	± 0,9	150	1	46700	270	2305	2305	17,37	358
W-00-02000/02000-017-LL-E-AAB0			± 1,7		2		375			8,68	447
W-00-02000/02000-026-LL-E-AAB0			± 2,6		3		480			5,79	536
W-00-02000/02000-011-LL-E-AAB0	2000	2000	± 1,1	200	1	48762	270	2405	2405	8,63	371
W-00-02000/02000-023-LL-E-AAB0			± 2,3		2		375			4,32	473
W-00-02000/02000-034-LL-E-AAB0			± 3,4		3		480			2,88	574
W-00-02000/04000-003-LL-E-AAB0	2000	4000	± 0,3	80	1	85565	200	2165	4165	162	303
W-00-02000/04000-007-LL-E-AAB0			± 0,7		2		270			81,15	374
W-00-02000/04000-010-LL-E-AAB0			± 1,0		3		340			54,10	444
W-00-02000/04000-009-LL-E-AAB0	2000	4000	± 0,9	150	1	90050	270	2305	4305	29,49	478
W-00-02000/04000-017-LL-E-AAB0			± 1,7		2		375			14,74	589
W-00-02000/04000-026-LL-E-AAB0			± 2,6		3		480			9,83	700
W-00-02000/04000-011-LL-E-AAB0	2000	4000	± 1,1	200	1	93112	270	2405	4405	14,52	496
W-00-02000/04000-023-LL-E-AAB0			± 2,3		2		375			7,26	625
W-00-02000/04000-034-LL-E-AAB0			± 3,4		3		480			4,84	754

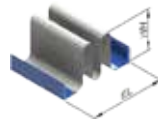
Angular, rectangular metallic expansion joint



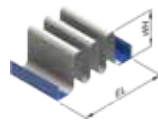
Compensator Properties	Design Temperature	≤ 300 °C
	Design Pressure	100 mbar
	Bellow Material	1.0330
	Corner Type	Double Miter
	Connection	Angle Flange
	Connection Material	1.0038
	Profile WH 80mm	L60x6
Profile WH 150/200mm	L80x8	
Cycles	≥ 1000	



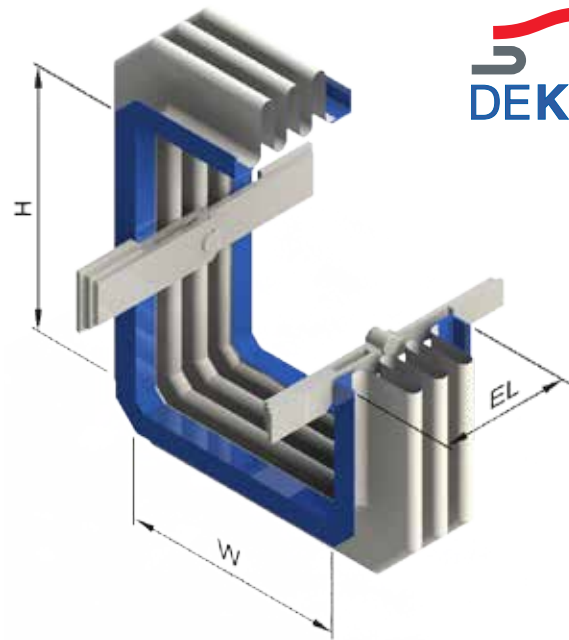
1 convolution



2 convolutions



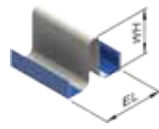
3 convolutions



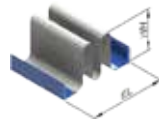
DEKOMTE Article Number	Clear Opening		Maximum Movement	Convolution Height WH	Number of Convolutions	Effective Area	Installation Length EL	Overall Dimension		Angular Adjustment Force	Weight
	Width W	Height H						Width	Height H		
	[mm]	[mm]						[mm]	[mm]		
W-00-02200/02200-008-LL-E-AAB0	2200	2200	± 0,8	150	1	55770	270	2505	2505	22,68	382
W-00-02200/02200-016-LL-E-AAB0			± 1,6		2		375			11,34	475
W-00-02200/02200-023-LL-E-AAB0			± 2,3		3		480			7,56	568
W-00-02200/02200-010-LL-E-AAB0	2200	2200	± 1,0	200	1	58032	270	2605	2605	11,21	396
W-00-02200/02200-021-LL-E-AAB0			± 2,1		2		375			5,60	503
W-00-02200/02200-031-LL-E-AAB0			± 3,1		3		480			3,74	610
W-00-02200/04400-008-LL-E-AAB0	2200	4400	± 0,8	150	1	107855	270	2505	4705	38,61	514
W-00-02200/04400-016-LL-E-AAB0			± 1,6		2		375			19,30	632
W-00-02200/04400-023-LL-E-AAB0			± 2,3		3		480			12,87	749
W-00-02200/04400-010-LL-E-AAB0	2200	4400	± 1,0	200	1	111217	270	2605	4805	18,91	534
W-00-02200/04400-021-LL-E-AAB0			± 2,1		2		375			9,45	671
W-00-02200/04400-031-LL-E-AAB0			± 3,1		3		480			6,30	808
W-00-02400/01200-002-LL-E-AAB0	2400	1200	± 0,2	80	1	32121	200	2565	1365	102	215
W-00-02400/01200-005-LL-E-AAB0			± 0,5		2		270			50,91	269
W-00-02400/01200-008-LL-E-AAB0			± 0,8		3		340			33,94	323
W-00-02400/01200-007-LL-E-AAB0	2400	1200	± 0,7	150	1	34830	270	2705	1505	18,75	334
W-00-02400/01200-014-LL-E-AAB0			± 1,4		2		375			9,38	419
W-00-02400/01200-021-LL-E-AAB0			± 2,1		3		480			6,25	503
W-00-02400/01200-010-LL-E-AAB0	2400	1200	± 1,0	200	1	36692	270	2805	1605	9,32	346
W-00-02400/01200-019-LL-E-AAB0			± 1,9		2		375			4,66	442
W-00-02400/01200-029-LL-E-AAB0			± 2,9		3		480			3,11	538
W-00-02400/02400-007-LL-E-AAB0	2400	2400	± 0,7	150	1	65640	270	2705	2705	28,98	406
W-00-02400/02400-014-LL-E-AAB0			± 1,4		2		375			14,49	504
W-00-02400/02400-021-LL-E-AAB0			± 2,1		3		480			9,66	601
W-00-02400/02400-010-LL-E-AAB0	2400	2400	± 1,0	200	1	68102	270	2805	2805	14,25	421
W-00-02400/02400-019-LL-E-AAB0			± 1,9		2		375			7,12	534
W-00-02400/02400-029-LL-E-AAB0			± 2,9		3		480			4,75	646
W-00-02400/04800-007-LL-E-AAB0	2400	4800	± 0,7	150	1	127260	270	2705	5105	49,44	550
W-00-02400/04800-014-LL-E-AAB0			± 1,4		2		375			24,72	674
W-00-02400/04800-021-LL-E-AAB0			± 2,1		3		480			16,48	798

Angular, rectangular metallic expansion joint

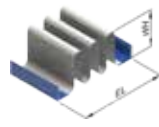
Compensator Properties	Design Temperature	≤ 300 °C
	Design Pressure	100 mbar
	Bellow Material	1.0330
	Corner Type	Double Miter
	Connection	Angle Flange
	Connection Material	1.0038
	Profile WH 80mm	L60x6
Profile WH 150/200mm	L80x8	
Cycles	≥ 1000	



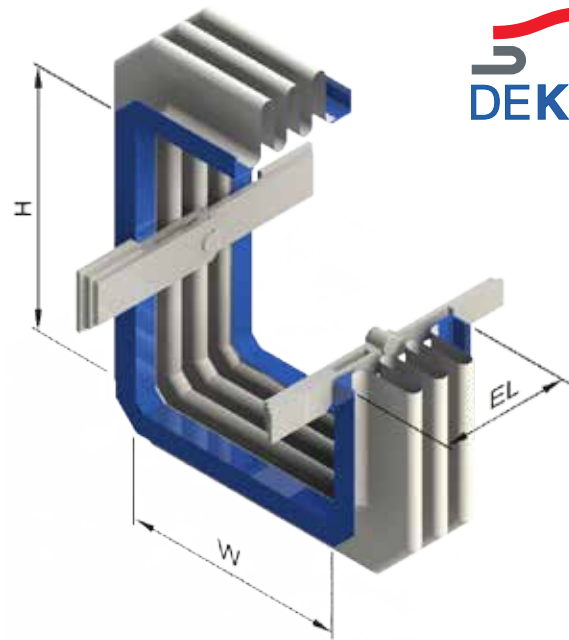
1 convolution



2 convolutions



3 convolutions

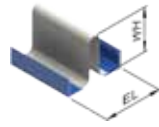


DEKOMTE Article Number	Clear Opening		Maximum Movement	Convolution Height WH	Number of Convolutions	Effective Area	Installation Length EL	Overall Dimension		Angular Adjustment Force	Weight
	Width W	Height H						Width	Height H		
	[mm]	[mm]						[mm]	[mm]		
W-00-02400/04800-010-LL-E-AAB0	2400	4800	± 1,0	200	1	130922	270	2805	5205	24,11	571
W-00-02400/04800-019-LL-E-AAB0			± 1,9		2		375			12,06	717
W-00-02400/04800-029-LL-E-AAB0			± 2,9		3		480			8,04	863
W-00-02600/02600-007-LL-E-AAB0	2600	2600	± 0,7	150	1	76310	270	2905	2905	36,35	430
W-00-02600/02600-013-LL-E-AAB0			± 1,3		2		375			18,17	532
W-00-02600/02600-020-LL-E-AAB0			± 2,0		3		480			12,12	634
W-00-02600/02600-009-LL-E-AAB0	2600	2600	± 0,9	200	1	78972	270	3005	3005	17,79	446
W-00-02600/02600-018-LL-E-AAB0			± 1,8		2		375			8,90	564
W-00-02600/02600-026-LL-E-AAB0			± 2,6		3		480			5,93	682
W-00-02600/05200-007-LL-E-AAB0	2600	5200	± 0,7	150	1	148265	270	2905	5505	62,12	586
W-00-02600/05200-013-LL-E-AAB0			± 1,3		2		375			31,06	717
W-00-02600/05200-020-LL-E-AAB0			± 2,0		3		480			20,71	847
W-00-02600/05200-009-LL-E-AAB0	2600	5200	± 0,9	200	1	152227	270	3005	5605	30,19	609
W-00-02600/05200-018-LL-E-AAB0			± 1,8		2		375			15,09	763
W-00-02600/05200-026-LL-E-AAB0			± 2,6		3		480			10,06	917
W-00-02800/01400-002-LL-E-AAB0	2800	1400	± 0,2	80	1	43082	200	2965	1565	159	237
W-00-02800/01400-005-LL-E-AAB0			± 0,5		2		270			79,52	295
W-00-02800/01400-007-LL-E-AAB0			± 0,7		3		340			53,02	354
W-00-02800/01400-006-LL-E-AAB0	2800	1400	± 0,6	150	1	46235	270	3105	1705	28,90	370
W-00-02800/01400-012-LL-E-AAB0			± 1,2		2		375			14,45	461
W-00-02800/01400-018-LL-E-AAB0			± 1,8		3		480			9,63	552
W-00-02800/01400-008-LL-E-AAB0	2800	1400	± 0,8	200	1	48397	270	3205	1805	14,23	384
W-00-02800/01400-016-LL-E-AAB0			± 1,6		2		375			7,11	488
W-00-02800/01400-024-LL-E-AAB0			± 2,4		3		480			4,74	592
W-00-02800/02800-006-LL-E-AAB0	2800	2800	± 0,6	150	1	87780	270	3105	3105	44,87	454
W-00-02800/02800-012-LL-E-AAB0			± 1,2		2		375			22,43	561
W-00-02800/02800-018-LL-E-AAB0			± 1,8		3		480			14,96	667
W-00-02800/02800-008-LL-E-AAB0	2800	2800	± 0,8	200	1	90642	270	3205	3205	21,89	471
W-00-02800/02800-016-LL-E-AAB0			± 1,6		2		375			10,94	595
W-00-02800/02800-024-LL-E-AAB0			± 2,4		3		480			7,30	718

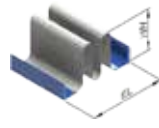
Angular, rectangular metallic expansion joint



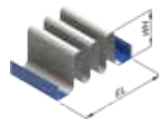
Compensator Properties	Design Temperature	≤ 300 °C
	Design Pressure	100 mbar
	Bellow Material	1.0330
	Corner Type	Double Miter
	Connection	Angle Flange
	Connection Material	1.0038
	Profile WH 80mm	L60x6
Profile WH 150/200mm	L80x8	
Cycles	≥ 1000	



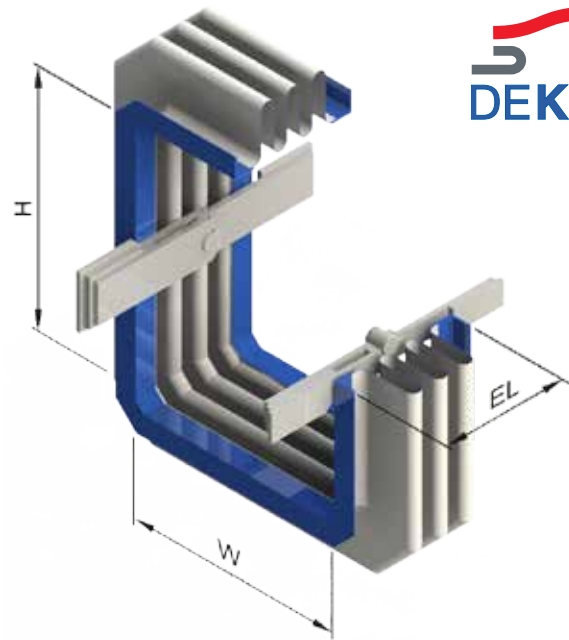
1 convolution



2 convolutions



3 convolutions

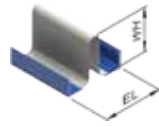


DEKOMTE Article Number	Clear Opening		Maximum Movement	Convolution Height WH	Number of Convolutions	Effective Area	Installation Length EL	Overall Dimension		Angular Adjustment Force	Weight
	Width W	Height H						Width	Height H		
	[mm]	[mm]						[mm]	[mm]		
W-00-02800/05600-006-LL-E-AAB0	2800	5600	± 0,6	150	1	170870	270	3105	5905	76,81	622
W-00-02800/05600-012-LL-E-AAB0			± 1,2		2		375			38,40	759
W-00-02800/05600-018-LL-E-AAB0			± 1,8		3		480			25,60	897
W-00-02800/05600-008-LL-E-AAB0	2800	5600	± 0,8	200	1	175132	270	3205	6005	37,21	646
W-00-02800/05600-016-LL-E-AAB0			± 1,6		2		375			18,60	809
W-00-02800/05600-024-LL-E-AAB0			± 2,4		3		480			12,40	971
W-00-03000/03000-006-LL-E-AAB0	3000	3000	± 0,6	150	1	100050	270	3305	3305	54,63	478
W-00-03000/03000-011-LL-E-AAB0			± 1,1		2		375			27,31	589
W-00-03000/03000-017-LL-E-AAB0			± 1,7		3		480			18,21	700
W-00-03000/03000-008-LL-E-AAB0	3000	3000	± 0,8	200	1	103112	270	3405	3405	26,56	496
W-00-03000/03000-015-LL-E-AAB0			± 1,5		2		375			13,28	625
W-00-03000/03000-023-LL-E-AAB0			± 2,3		3		480			8,85	754
W-00-03000/06000-006-LL-E-AAB0	3000	6000	± 0,6	150	1	195075	270	3305	6305	93,64	658
W-00-03000/06000-011-LL-E-AAB0			± 1,1		2		375			46,82	802
W-00-03000/06000-017-LL-E-AAB0			± 1,7		3		480			31,21	946
W-00-03000/06000-008-LL-E-AAB0	3000	6000	± 0,8	200	1	199637	270	3405	6405	45,24	684
W-00-03000/06000-015-LL-E-AAB0			± 1,5		2		375			22,62	854
W-00-03000/06000-023-LL-E-AAB0			± 2,3		3		480			15,08	1025
W-00-03200/01600-002-LL-E-AAB0	3200	1600	± 0,2	80	1	55643	200	3365	1765	234	259
W-00-03200/01600-004-LL-E-AAB0			± 0,4		2		270			117	321
W-00-03200/01600-006-LL-E-AAB0			± 0,6		3		340			78,16	384
W-00-03200/01600-005-LL-E-AAB0	3200	1600	± 0,5	150	1	59240	270	3505	1905	42,17	406
W-00-03200/01600-011-LL-E-AAB0			± 1,1		2		375			21,08	504
W-00-03200/01600-016-LL-E-AAB0			± 1,6		3		480			14,06	601
W-00-03200/01600-007-LL-E-AAB0	3200	1600	± 0,7	200	1	61702	270	3605	2005	20,62	421
W-00-03200/01600-014-LL-E-AAB0			± 1,4		2		375			10,31	534
W-00-03200/01600-021-LL-E-AAB0			± 2,1		3		480			6,87	646
W-00-03500/03500-005-LL-E-AAB0	3500	3500	± 0,5	150	1	134225	270	3805	3805	84,99	538
W-00-03500/03500-010-LL-E-AAB0			± 1,0		2		375			42,49	660
W-00-03500/03500-015-LL-E-AAB0			± 1,5		3		480			28,33	782

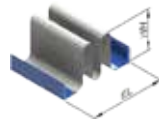
Angular, rectangular metallic expansion joint



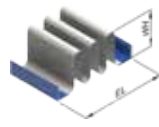
Compensator Properties	Design Temperature	≤ 300 °C
	Design Pressure	100 mbar
	Bellow Material	1.0330
	Corner Type	Double Miter
	Connection	Angle Flange
	Connection Material	1.0038
	Profile WH 80mm	L60x6
Profile WH 150/200mm	L80x8	
Cycles	≥ 1000	



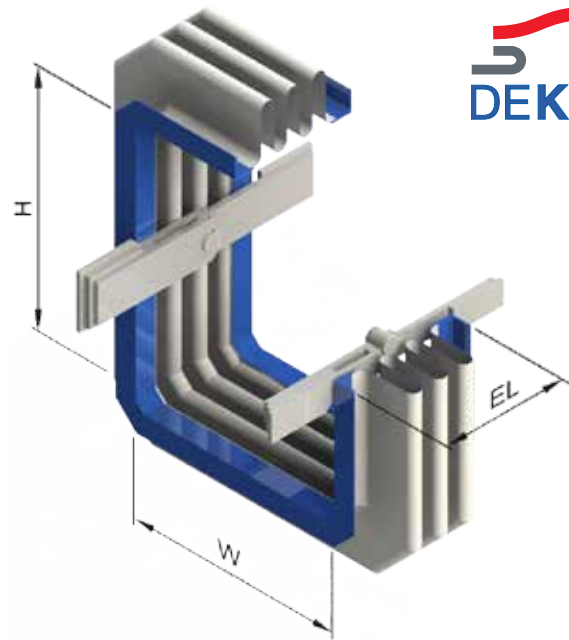
1 convolution



2 convolutions



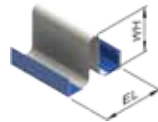
3 convolutions



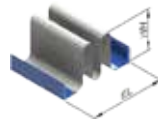
DEKOMTE Article Number	Clear Opening		Maximum Movement	Convolution Height WH	Number of Convolutions	Effective Area	Installation Length EL	Overall Dimension		Angular Adjustment Force	Weight
	Width W	Height H						Width	Height H		
	[mm]	[mm]						[mm]	[mm]		
W-00-03500/03500-007-LL-E-AAB0	3500	3500	± 0,7	200	1	137787	270	3905	3905	41,06	559
W-00-03500/03500-013-LL-E-AAB0			± 1,3		2		375			20,53	702
W-00-03500/03500-020-LL-E-AAB0			± 2,0		3		480			13,69	844
W-00-03500/07000-005-LL-E-AAB0	3500	7000	± 0,5	150	1	262588	270	3805	7305	146	748
W-00-03500/07000-010-LL-E-AAB0			± 1,0		2		375			73,05	908
W-00-03500/07000-015-LL-E-AAB0			± 1,5		3		480			48,70	1069
W-00-03500/07000-007-LL-E-AAB0	3500	7000	± 0,7	200	1	267900	270	3905	7405	70,19	778
W-00-03500/07000-013-LL-E-AAB0			± 1,3		2		375			35,10	969
W-00-03500/07000-020-LL-E-AAB0			± 2,0		3		480			23,40	1160
W-00-03600/01800-001-LL-E-AAB0	3600	1800	± 0,1	80	1	69804	200	3765	1965	331	281
W-00-03600/01800-003-LL-E-AAB0			± 0,3		2		270			165	348
W-00-03600/01800-005-LL-E-AAB0			± 0,5		3		340			110	414
W-00-03600/01800-010-LL-E-AAB0	3600	1800	± 1,0	150	2	73845	375	3905	2105	29,49	546
W-00-03600/01800-014-LL-E-AAB0			± 1,4		3		480			19,66	651
W-00-03600/01800-006-LL-E-AAB0			± 0,6		1		270			28,68	459
W-00-03600/01800-013-LL-E-AAB0	3600	1800	± 1,3	200	2	76607	375	4005	2205	14,34	580
W-00-03600/01800-019-LL-E-AAB0			± 1,9		3		480			9,56	700
W-00-04000/02000-001-LL-E-AAB0			± 0,1		1		200			450	303
W-00-04000/02000-003-LL-E-AAB0	4000	2000	± 0,3	80	2	85565	270	4165	2165	225	374
W-00-04000/02000-005-LL-E-AAB0			± 0,5		3		340			150	444
W-00-04000/02000-004-LL-E-AAB0			± 0,4		1		270			79,76	478
W-00-04000/02000-009-LL-E-AAB0	4000	2000	± 0,9	150	2	90050	375	4305	2305	39,88	589
W-00-04000/02000-013-LL-E-AAB0			± 1,3		3		480			26,59	700
W-00-04000/02000-006-LL-E-AAB0			± 0,6		1		270			38,61	496
W-00-04000/02000-011-LL-E-AAB0	4000	2000	± 1,1	200	2	93112	375	4405	2405	19,30	625
W-00-04000/02000-017-LL-E-AAB0			± 1,7		3		480			12,87	754
W-00-04000/04000-004-LL-E-AAB0			± 0,4		1		270			125	598
W-00-04000/04000-009-LL-E-AAB0	4000	4000	± 0,9	150	2	173400	375	4305	4305	62,46	731
W-00-04000/04000-013-LL-E-AAB0			± 1,3		3		480			41,64	864
W-00-04000/04000-006-LL-E-AAB0			± 0,6		1		270			60,06	621

Angular, rectangular metallic expansion joint

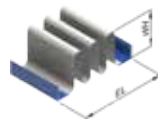
Compensator Properties	Design Temperature	≤ 300 °C
	Design Pressure	100 mbar
	Bellow Material	1.0330
	Corner Type	Double Miter
	Connection	Angle Flange
	Connection Material	1.0038
	Profile WH 80mm	L60x6
Profile WH 150/200mm	L80x8	
Cycles	≥ 1000	



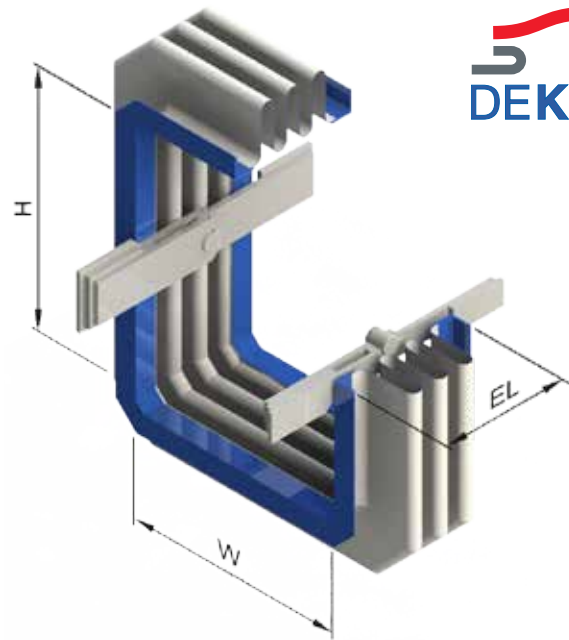
1 convolution



2 convolutions



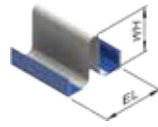
3 convolutions



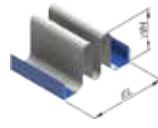
DEKOMTE Article Number	Clear Opening		Maximum Movement	Convolution Height WH	Number of Convolutions	Effective Area	Installation Length EL	Overall Dimension		Angular Adjustment Force	Weight
	Width W	Height H						Width	Height H		
	[mm]	[mm]						[mm]	[mm]		
W-00-04000/04000-011-LL-E-AAB0	4000	4000	± 1,1	200	2	177462	375	4405	4405	30,03	778
W-00-04000/04000-017-LL-E-AAB0			± 1,7		3		480			20,02	935
W-00-04000/08000-004-LL-E-AAB0	4000	8000	± 0,4	150	1	340100	270	4305	8305	215	837
W-00-04000/08000-009-LL-E-AAB0			± 0,9		2		375			108	1015
W-00-04000/08000-013-LL-E-AAB0			± 1,3		3		480			71,74	1192
W-00-04000/08000-006-LL-E-AAB0	4000	8000	± 0,6	200	1	346162	270	4405	8405	103	872
W-00-04000/08000-011-LL-E-AAB0			± 1,1		2		375			51,48	1084
W-00-04000/08000-017-LL-E-AAB0			± 1,7		3		480			34,32	1295
W-00-04400/02200-004-LL-E-AAB0	4400	2200	± 0,4	150	1	107855	270	4705	2505	105	514
W-00-04400/02200-008-LL-E-AAB0			± 0,8		2		375			52,46	632
W-00-04400/02200-012-LL-E-AAB0			± 1,2		3		480			34,98	749
W-00-04400/02200-005-LL-E-AAB0	4400	2200	± 0,5	200	1	111217	270	4805	2605	50,60	534
W-00-04400/02200-010-LL-E-AAB0			± 1,0		2		375			25,30	671
W-00-04400/02200-016-LL-E-AAB0			± 1,6		3		480			16,87	808
W-00-04500/04500-004-LL-E-AAB0	4500	4500	± 0,4	150	1	217575	270	4805	4805	176	658
W-00-04500/04500-008-LL-E-AAB0			± 0,8		2		375			87,86	802
W-00-04500/04500-011-LL-E-AAB0			± 1,1		3		480			58,57	946
W-00-04500/04500-005-LL-E-AAB0	4500	4500	± 0,5	200	1	222137	270	4905	4905	84,16	684
W-00-04500/04500-010-LL-E-AAB0			± 1,0		2		375			42,08	854
W-00-04500/04500-015-LL-E-AAB0			± 1,5		3		480			28,05	1025
W-00-04500/09000-004-LL-E-AAB0	4500	9000	± 0,4	150	1	427613	270	4805	9305	303	927
W-00-04500/09000-008-LL-E-AAB0			± 0,8		2		375			152	1121
W-00-04500/09000-011-LL-E-AAB0			± 1,1		3		480			101	1315
W-00-04500/09000-005-LL-E-AAB0	4500	9000	± 0,5	200	1	434425	270	4905	9405	145	966
W-00-04500/09000-010-LL-E-AAB0			± 1,0		2		375			72,30	1198
W-00-04500/09000-015-LL-E-AAB0			± 1,5		3		480			48,20	1430
W-00-04800/02400-004-LL-E-AAB0	4800	2400	± 0,4	150	1	127260	270	5105	2705	135	550
W-00-04800/02400-007-LL-E-AAB0			± 0,7		2		375			67,45	674
W-00-04800/02400-011-LL-E-AAB0			± 1,1		3		480			44,96	798
W-00-04800/02400-005-LL-E-AAB0	4800	2400	± 0,5	200	1	130922	270	5205	2805	64,85	571

Angular, rectangular metallic expansion joint

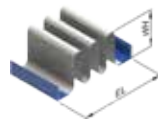
Compensator Properties	Design Temperature	≤ 300 °C
	Design Pressure	100 mbar
	Bellow Material	1.0330
	Corner Type	Double Miter
	Connection	Angle Flange
	Connection Material	1.0038
	Profile WH 80mm	L60x6
Profile WH 150/200mm	L80x8	
Cycles	≥ 1000	



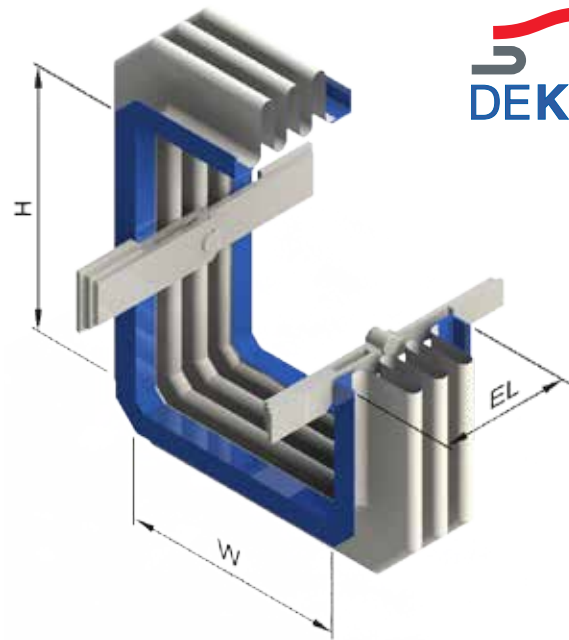
1 convolution



2 convolutions



3 convolutions

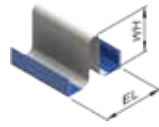


DEKOMTE Article Number	Clear Opening		Maximum Movement	Convolution Height WH	Number of Convolutions	Effective Area	Installation Length EL	Overall Dimension		Angular Adjustment Force	Weight
	Width W	Height H						Width	Height H		
	[mm]	[mm]						[mm]	[mm]		
W-00-04800/02400-010-LL-E-AAB0	4800	2400	± 1,0	200	2	130922	375	5205	2805	32,42	717
W-00-04800/02400-014-LL-E-AAB0			± 1,4		3		480			21,62	863
W-00-05000/05000-003-LL-E-AAB0	5000	5000	± 0,3	150	1	266750	270	5305	5305	239	718
W-00-05000/05000-007-LL-E-AAB0			± 0,7		2		375			119	873
W-00-05000/05000-010-LL-E-AAB0			± 1,0		3		480			79,57	1028
W-00-05000/05000-005-LL-E-AAB0	5000	5000	± 0,5	200	1	271812	270	5405	5405	114	747
W-00-05000/05000-009-LL-E-AAB0			± 0,9		2		375			56,99	931
W-00-05000/05000-014-LL-E-AAB0			± 1,4		3		480			37,99	1115
W-00-05000/10000-003-LL-E-AAB0	5000	10000	± 0,3	150	1	525125	270	5305	10305	413	1017
W-00-05000/10000-007-LL-E-AAB0			± 0,7		2		375			206	1228
W-00-05000/10000-010-LL-E-AAB0			± 1,0		3		480			138	1438
W-00-05000/10000-005-LL-E-AAB0	5000	10000	± 0,5	200	1	532687	270	5405	10405	196	1060
W-00-05000/10000-009-LL-E-AAB0			± 0,9		2		375			98,09	1313
W-00-05000/10000-014-LL-E-AAB0			± 1,4		3		480			65,39	1565
W-00-05200/02600-003-LL-E-AAB0	5200	2600	± 0,3	150	1	148265	270	5505	2905	170	586
W-00-05200/02600-007-LL-E-AAB0			± 0,7		2		375			85,04	717
W-00-05200/02600-010-LL-E-AAB0			± 1,0		3		480			56,69	847
W-00-05200/02600-004-LL-E-AAB0	5200	2600	± 0,4	200	1	152227	270	5605	3005	81,55	609
W-00-05200/02600-009-LL-E-AAB0			± 0,9		2		375			40,77	763
W-00-05200/02600-013-LL-E-AAB0			± 1,3		3		480			27,18	917
W-00-05500/05500-003-LL-E-AAB0	5500	5500	± 0,3	150	1	320925	270	5805	5805	315	777
W-00-05500/05500-006-LL-E-AAB0			± 0,6		2		375			158	944
W-00-05500/05500-009-LL-E-AAB0			± 0,9		3		480			105	1110
W-00-05500/05500-004-LL-E-AAB0	5500	5500	± 0,4	200	1	326487	270	5905	5905	150	809
W-00-05500/05500-008-LL-E-AAB0			± 0,8		2		375			75,06	1007
W-00-05500/05500-012-LL-E-AAB0			± 1,2		3		480			50,04	1205
W-00-05500/11000-003-LL-E-AAB0	5500	11000	± 0,3	150	1	632638	270	5805	11305	545	1107
W-00-05500/11000-006-LL-E-AAB0			± 0,6		2		375			273	1334
W-00-05500/11000-009-LL-E-AAB0			± 0,9		3		480			182	1561
W-00-05500/11000-004-LL-E-AAB0	5500	11000	± 0,4	200	1	640950	270	5905	11405	259	1153

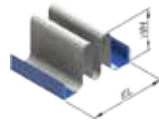
Angular, rectangular metallic expansion joint



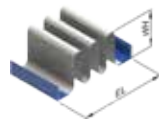
Compensator Properties	Design Temperature	≤ 300 °C
	Design Pressure	100 mbar
	Bellow Material	1.0330
	Corner Type	Double Miter
	Connection	Angle Flange
	Connection Material	1.0038
	Profile WH 80mm	L60x6
Profile WH 150/200mm	L80x8	
Cycles	≥ 1000	



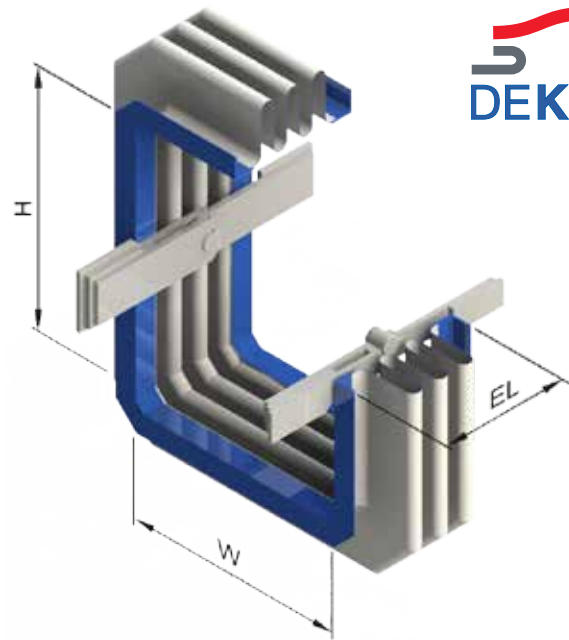
1 convolution



2 convolutions



3 convolutions

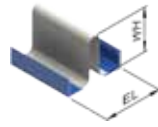


DEKOMTE Article Number	Clear Opening		Maximum Movement	Convolution Height WH	Number of Convolutions	Effective Area	Installation Length EL	Overall Dimension		Angular Adjustment Force	Weight
	Width W	Height H						Width	Height H		
	[mm]	[mm]						[mm]	[mm]		
W-00-05500/11000-008-LL-E-AAB0	5500	11000	± 0,8	200	2	640950	375	5905	11405	129	1427
W-00-05500/11000-012-LL-E-AAB0			± 1,2		3		480			86,25	1700
W-00-05600/02800-003-LL-E-AAB0	5600	2800	± 0,3	150	1	170870	270	5905	3105	211	622
W-00-05600/02800-006-LL-E-AAB0			± 0,6		2		375			105	759
W-00-05600/02800-009-LL-E-AAB0			± 0,9		3		480			70,30	897
W-00-05600/02800-004-LL-E-AAB0	5600	2800	± 0,4	200	1	175132	270	6005	3205	101	646
W-00-05600/02800-008-LL-E-AAB0			± 0,8		2		375			50,45	809
W-00-05600/02800-012-LL-E-AAB0			± 1,2		3		480			33,63	971
W-00-06000/03000-003-LL-E-AAB0	6000	3000	± 0,3	150	1	195075	270	6305	3305	258	658
W-00-06000/03000-006-LL-E-AAB0			± 0,6		2		375			129	802
W-00-06000/03000-009-LL-E-AAB0			± 0,9		3		480			85,93	946
W-00-06000/03000-004-LL-E-AAB0	6000	3000	± 0,4	200	1	199637	270	6405	3405	123	684
W-00-06000/03000-008-LL-E-AAB0			± 0,8		2		375			61,54	854
W-00-06000/03000-011-LL-E-AAB0			± 1,1		3		480			41,03	1025
W-00-06000/06000-003-LL-E-AAB0	6000	6000	± 0,3	150	1	380100	270	6305	6305	407	837
W-00-06000/06000-006-LL-E-AAB0			± 0,6		2		375			203	1015
W-00-06000/06000-009-LL-E-AAB0			± 0,9		3		480			136	1192
W-00-06000/06000-004-LL-E-AAB0	6000	6000	± 0,4	200	1	386162	270	6405	6405	193	872
W-00-06000/06000-008-LL-E-AAB0			± 0,8		2		375			96,60	1084
W-00-06000/06000-011-LL-E-AAB0			± 1,1		3		480			64,40	1295
W-00-06000/12000-003-LL-E-AAB0	6000	12000	± 0,3	150	1	750150	270	6305	12305	704	1197
W-00-06000/12000-006-LL-E-AAB0			± 0,6		2		375			352	1441
W-00-06000/12000-009-LL-E-AAB0			± 0,9		3		480			235	1684
W-00-06000/12000-004-LL-E-AAB0	6000	12000	± 0,4	200	1	759212	270	6405	12405	333	1247
W-00-06000/12000-008-LL-E-AAB0			± 0,8		2		375			167	1542
W-00-06000/12000-011-LL-E-AAB0			± 1,1		3		480			111	1836
W-00-06500/06500-003-LL-E-AAB0	6500	6500	± 0,3	150	1	444275	270	6805	6805	514	897
W-00-06500/06500-005-LL-E-AAB0			± 0,5		2		375			257	1086
W-00-06500/06500-008-LL-E-AAB0			± 0,8		3		480			171	1274
W-00-06500/06500-004-LL-E-AAB0	6500	6500	± 0,4	200	1	450837	270	6905	6905	244	934

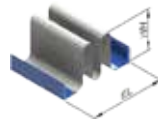
Angular, rectangular metallic expansion joint



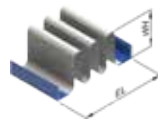
Compensator Properties	Design Temperature	≤ 300 °C
	Design Pressure	100 mbar
	Bellow Material	1.0330
	Corner Type	Double Miter
	Connection	Angle Flange
	Connection Material	1.0038
Profile WH 80mm	L60x6	
Profile WH 150/200mm	L80x8	
Cycles	≥ 1000	



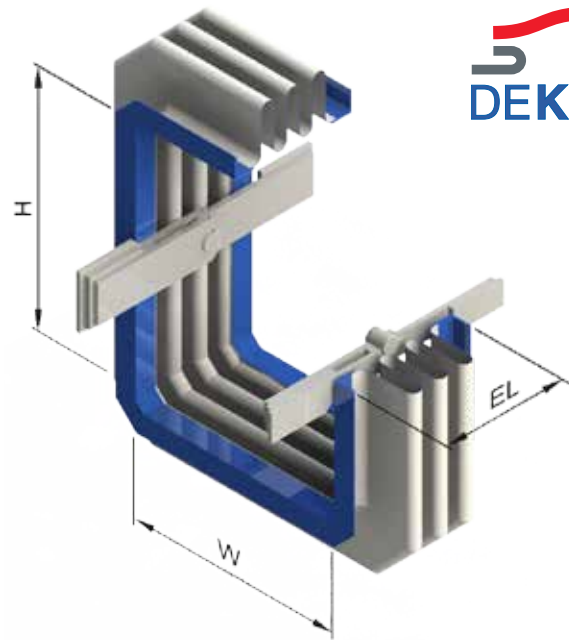
1 convolution



2 convolutions



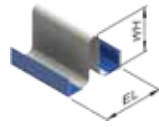
3 convolutions



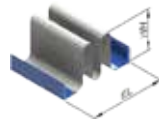
DEKOMTE Article Number	Clear Opening		Maximum Movement	Convolution Height WH	Number of Convolutions	Effective Area	Installation Length EL	Overall Dimension		Angular Adjustment Force	Weight
	Width W	Height H						Width	Height H		
	[mm]	[mm]						[mm]	[mm]		
W-00-06500/06500-007-LL-E-AAB0	6500	6500	± 0,7	200	2	450837	375	6905	6905	122	1160
W-00-06500/06500-011-LL-E-AAB0			± 1,1		3		480			81,27	1385
W-00-06500/13000-003-LL-E-AAB0	6500	13000	± 0,3	150	1	877663	270	6805	13305	891	1287
W-00-06500/13000-005-LL-E-AAB0			± 0,5		2		375			445	1547
W-00-06500/13000-008-LL-E-AAB0			± 0,8		3		480			297	1807
W-00-06500/13000-004-LL-E-AAB0	6500	13000	± 0,4	200	1	887475	270	6905	13405	421	1341
W-00-06500/13000-007-LL-E-AAB0			± 0,7		2		375			211	1656
W-00-06500/13000-011-LL-E-AAB0			± 1,1		3		480			140	1971
W-00-07000/03500-002-LL-E-AAB0	7000	3500	± 0,2	150	1	262588	270	7305	3805	404	748
W-00-07000/03500-005-LL-E-AAB0			± 0,5		2		375			202	908
W-00-07000/03500-003-LL-E-AAB0	7000	3500	± 0,3	200	1	267900	270	7405	3905	192	778
W-00-07000/03500-007-LL-E-AAB0			± 0,7		2		375			96,13	969
W-00-07000/03500-010-LL-E-AAB0			± 1,0		3		480			64,08	1160
W-00-07000/07000-002-LL-E-AAB0	7000	7000	± 0,2	150	1	513450	270	7305	7305	639	957
W-00-07000/07000-005-LL-E-AAB0			± 0,5		2		375			319	1157
W-00-07000/07000-003-LL-E-AAB0	7000	7000	± 0,3	200	1	520512	270	7405	7405	303	997
W-00-07000/07000-007-LL-E-AAB0			± 0,7		2		375			151	1236
W-00-07000/07000-010-LL-E-AAB0			± 1,0		3		480			101	1475
W-00-07000/14000-002-LL-E-AAB0	7000	14000	± 0,2	150	1	1015175	270	7305	14305	1108	1377
W-00-07000/14000-005-LL-E-AAB0			± 0,5		2		375			554	1654
W-00-07000/14000-003-LL-E-AAB0	7000	14000	± 0,3	200	1	1025737	270	7405	14405	523	1435
W-00-07000/14000-007-LL-E-AAB0			± 0,7		2		375			262	1771
W-00-07000/14000-010-LL-E-AAB0			± 1,0		3		480			174	2106
W-00-07500/07500-002-LL-E-AAB0	7500	7500	± 0,2	150	1	587625	270	7805	7805	782	1017
W-00-07500/07500-005-LL-E-AAB0			± 0,5		2		375			391	1228
W-00-07500/07500-007-LL-E-AAB0			± 0,7		3		480			261	1438
W-00-07500/07500-003-LL-E-AAB0	7500	7500	± 0,3	200	1	595187	270	7905	7905	370	1060
W-00-07500/07500-006-LL-E-AAB0			± 0,6		2		375			185	1313
W-00-07500/07500-009-LL-E-AAB0			± 0,9		3		480			123	1565
W-00-07500/15000-002-LL-E-AAB0	7500	15000	± 0,2	150	1	1162688	270	7805	15305	1358	1466

Angular, rectangular metallic expansion joint

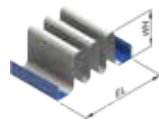
Compensator Properties	Design Temperature	≤ 300 °C
	Design Pressure	100 mbar
	Bellow Material	1.0330
	Corner Type	Double Miter
	Connection	Angle Flange
	Connection Material	1.0038
	Profile WH 80mm	L60x6
Profile WH 150/200mm	L80x8	
Cycles	≥ 1000	



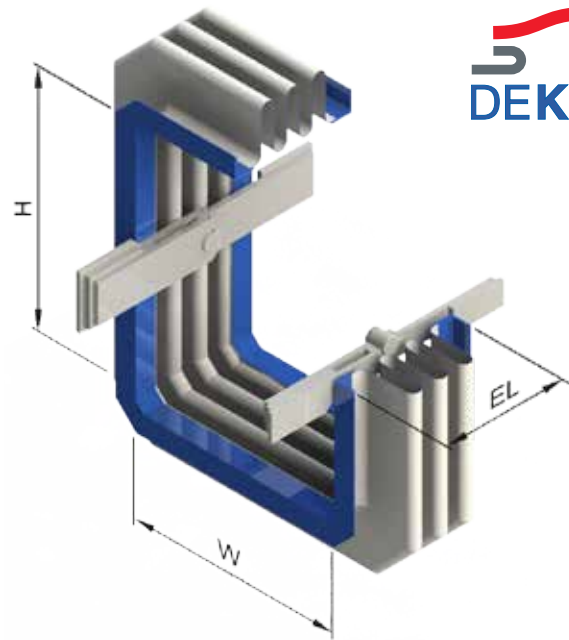
1 convolution



2 convolutions



3 convolutions

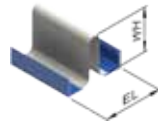


DEKOMTE Article Number	Clear Opening		Maximum Movement	Convolution Height WH	Number of Convolutions	Effective Area	Installation Length EL	Overall Dimension		Angular Adjustment Force	Weight
	Width W	Height H						Width	Height H		
	[mm]	[mm]						[mm]	[mm]		
W-00-07500/15000-005-LL-E-AAB0	7500	15000	± 0,5	150	2	1162688	375	7805	15305	679	1760
W-00-07500/15000-007-LL-E-AAB0			± 0,7		3		480			453	2053
W-00-07500/15000-003-LL-E-AAB0	7500	15000	± 0,3	200	1	1174000	270	7905	15405	640	1529
W-00-07500/15000-006-LL-E-AAB0			± 0,6		2		375			320	1885
W-00-07500/15000-009-LL-E-AAB0			± 0,9		3		480			213	2241
W-00-08000/04000-002-LL-E-AAB0	8000	4000	± 0,2	150	1	340100	270	8305	4305	598	837
W-00-08000/04000-004-LL-E-AAB0			± 0,4		2		375			299	1015
W-00-08000/04000-003-LL-E-AAB0	8000	4000	± 0,3	200	1	346162	270	8405	4405	283	872
W-00-08000/04000-006-LL-E-AAB0			± 0,6		2		375			142	1084
W-00-08000/04000-009-LL-E-AAB0			± 0,9		3		480			94,48	1295
W-00-08000/08000-002-LL-E-AAB0	8000	8000	± 0,2	150	1	666800	270	8305	8305	946	1077
W-00-08000/08000-004-LL-E-AAB0			± 0,4		2		375			473	1299
W-00-08000/08000-003-LL-E-AAB0	8000	8000	± 0,3	200	1	674862	270	8405	8405	447	1122
W-00-08000/08000-006-LL-E-AAB0			± 0,6		2		375			223	1389
W-00-08000/08000-009-LL-E-AAB0			± 0,9		3		480			149	1655
W-00-08000/16000-002-LL-E-AAB0	8000	16000	± 0,2	150	1	1320200	270	8305	16305	1643	1556
W-00-08000/16000-004-LL-E-AAB0			± 0,4		2		375			821	1866
W-00-08000/16000-003-LL-E-AAB0	8000	16000	± 0,3	200	1	1332262	270	8405	16405	774	1623
W-00-08000/16000-006-LL-E-AAB0			± 0,6		2		375			387	2000
W-00-08000/16000-009-LL-E-AAB0			± 0,9		3		480			258	2376
W-00-08500/08500-002-LL-E-AAB0	8500	8500	± 0,2	150	1	750975	270	8805	8805	1131	1137
W-00-08500/08500-004-LL-E-AAB0			± 0,4		2		375			566	1370
W-00-08500/08500-006-LL-E-AAB0			± 0,6		3		480			377	1602
W-00-08500/08500-003-LL-E-AAB0	8500	8500	± 0,3	200	1	759537	270	8905	8905	534	1185
W-00-08500/08500-005-LL-E-AAB0			± 0,5		2		375			267	1465
W-00-08500/08500-008-LL-E-AAB0			± 0,8		3		480			178	1746
W-00-08500/17000-002-LL-E-AAB0	8500	17000	± 0,2	150	1	1487713	270	8805	17305	1965	1646
W-00-08500/17000-004-LL-E-AAB0			± 0,4		2		375			982	1973
W-00-08500/17000-006-LL-E-AAB0			± 0,6		3		480			655	2300
W-00-08500/17000-003-LL-E-AAB0	8500	17000	± 0,3	200	1	1500525	270	8905	17405	925	1717

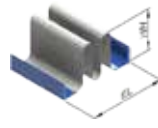
Angular, rectangular metallic expansion joint



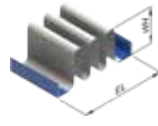
Compensator Properties	Design Temperature	≤ 300 °C
	Design Pressure	100 mbar
	Bellow Material	1.0330
	Corner Type	Double Miter
	Connection	Angle Flange
	Connection Material	1.0038
	Profile WH 80mm	L60x6
Profile WH 150/200mm	L80x8	
Cycles	≥ 1000	



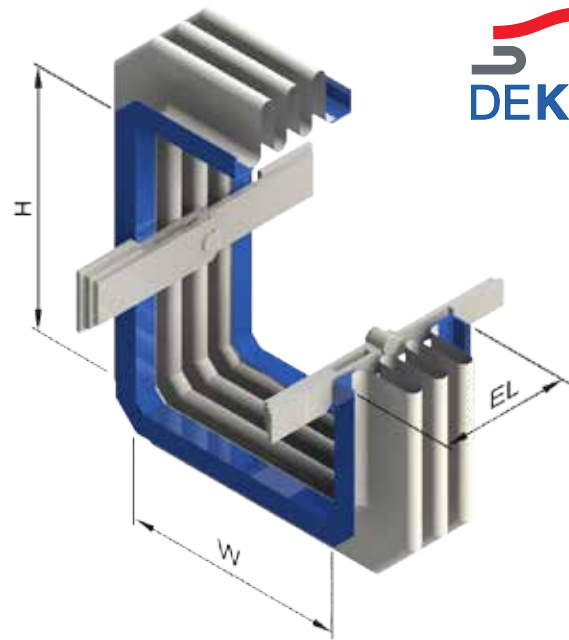
1 convolution



2 convolutions



3 convolutions

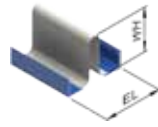


DEKOMTE Article Number	Clear Opening		Maximum Movement	Convolution Height WH	Number of Convolutions	Effective Area	Installation Length EL	Overall Dimension		Angular Adjustment Force	Weight
	Width W	Height H						Width	Height H		
	[mm]	[mm]						[mm]	[mm]		
W-00-08500/17000-005-LL-E-AAB0	8500	17000	± 0,5	200	2	1500525	375	8905	17405	462	2114
W-00-08500/17000-008-LL-E-AAB0			± 0,8		3		480			308	2511
W-00-09000/04500-002-LL-E-AAB0	9000	4500	± 0,2	150	1	427613	270	9305	4805	845	927
W-00-09000/04500-004-LL-E-AAB0			± 0,4		2		375			423	1121
W-00-09000/04500-006-LL-E-AAB0			± 0,6		3		480			282	1315
W-00-09000/04500-003-LL-E-AAB0	9000	4500	± 0,3	200	1	434425	270	9405	4905	400	966
W-00-09000/04500-005-LL-E-AAB0			± 0,5		2		375			200	1198
W-00-09000/04500-008-LL-E-AAB0			± 0,8		3		480			133	1430
W-00-09000/09000-002-LL-E-AAB0	9000	9000	± 0,2	150	1	840150	270	9305	9305	1339	1197
W-00-09000/09000-004-LL-E-AAB0			± 0,4		2		375			669	1441
W-00-09000/09000-006-LL-E-AAB0			± 0,6		3		480			446	1684
W-00-09000/09000-003-LL-E-AAB0	9000	9000	± 0,3	200	1	849212	270	9405	9405	631	1247
W-00-09000/09000-005-LL-E-AAB0			± 0,5		2		375			316	1542
W-00-09000/09000-008-LL-E-AAB0			± 0,8		3		480			210	1836
W-00-09000/18000-002-LL-E-AAB0	9000	18000	± 0,2	150	1	1665225	270	9305	18305	2327	1736
W-00-09000/18000-004-LL-E-AAB0			± 0,4		2		375			1163	2079
W-00-09000/18000-006-LL-E-AAB0			± 0,6		3		480			776	2423
W-00-09000/18000-003-LL-E-AAB0	9000	18000	± 0,3	200	1	1678787	270	9405	18405	1094	1811
W-00-09000/18000-005-LL-E-AAB0			± 0,5		2		375			547	2229
W-00-09000/18000-008-LL-E-AAB0			± 0,8		3		480			365	2647
W-00-09500/09500-002-LL-E-AAB0	9500	9500	± 0,2	150	1	934325	270	9805	9805	1571	1257
W-00-09500/09500-004-LL-E-AAB0			± 0,4		2		375			785	1512
W-00-09500/09500-005-LL-E-AAB0	9500	9500	± 0,5	200	2	943887	375	9905	9905	370	1618
W-00-09500/09500-007-LL-E-AAB0			± 0,7		3		480			247	1926
W-00-09500/19000-002-LL-E-AAB0	9500	19000	± 0,2	150	1	1852738	270	9805	19305	2730	1826
W-00-09500/19000-004-LL-E-AAB0			± 0,4		2		375			1365	2186
W-00-09500/19000-005-LL-E-AAB0	9500	19000	± 0,5	200	2	1867050	375	9905	19405	642	2343
W-00-09500/19000-007-LL-E-AAB0			± 0,7		3		480			428	2782
W-00-10000/05000-002-LL-E-AAB0	10000	5000	± 0,2	150	1	525125	270	10305	5305	1152	1017
W-00-10000/05000-003-LL-E-AAB0			± 0,3		2		375			576	1228

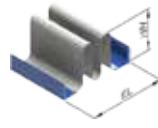
Angular, rectangular metallic expansion joint



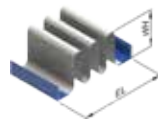
Compensator Properties	Design Temperature	≤ 300 °C
	Design Pressure	100 mbar
	Bellow Material	1.0330
	Corner Type	Double Miter
	Connection	Angle Flange
	Connection Material	1.0038
	Profile WH 80mm	L60x6
Profile WH 150/200mm	L80x8	
Cycles	≥ 1000	



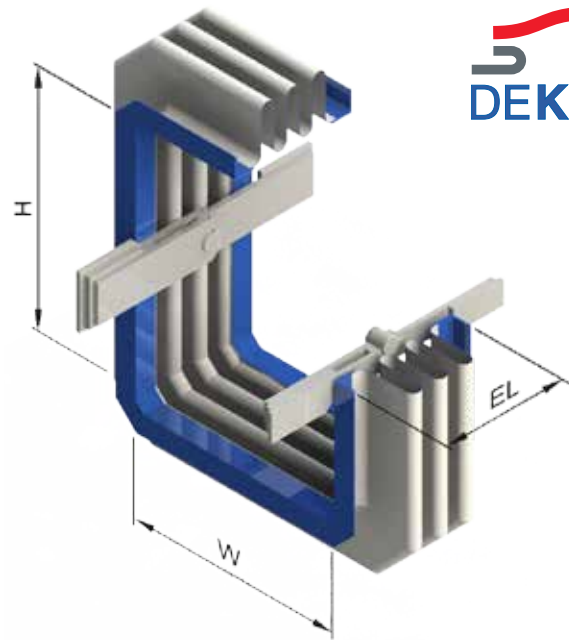
1 convolution



2 convolutions



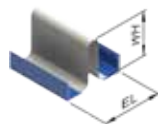
3 convolutions



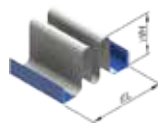
DEKOMTE Article Number	Clear Opening		Maximum Movement	Convolution Height WH	Number of Convolutions	Effective Area	Installation Length EL	Overall Dimension		Angular Adjustment Force	Weight
	Width W	Height H						Width	Height H		
	[mm]	[mm]						[mm]	[mm]		
W-00-10000/05000-005-LL-E-AAB0	10000	5000	± 0,5	200	2	532687	375	10405	5405	272	1313
W-00-10000/05000-007-LL-E-AAB0			± 0,7		3		480			181	1565
W-00-10000/10000-002-LL-E-AAB0	10000	10000	± 0,2	150	1	1033500	270	10305	10305	1828	1317
W-00-10000/10000-003-LL-E-AAB0			± 0,3		2		375			914	1583
W-00-10000/10000-005-LL-E-AAB0	10000	10000	± 0,5	200	2	1043562	375	10405	10405	430	1694
W-00-10000/10000-007-LL-E-AAB0			± 0,7		3		480			287	2016
W-00-10000/20000-002-LL-E-AAB0	10000	20000	± 0,2	150	1	2050250	270	10305	20305	3178	1916
W-00-10000/20000-003-LL-E-AAB0			± 0,3		2		375			1589	2292
W-00-10000/20000-005-LL-E-AAB0	10000	20000	± 0,5	200	2	2065312	375	10405	20405	746	2458
W-00-10000/20000-007-LL-E-AAB0			± 0,7		3		480			498	2917
W-00-11000/05500-002-LL-E-AAB0	11000	5500	± 0,2	150	1	632638	270	11305	5805	1526	1107
W-00-11000/05500-003-LL-E-AAB0			± 0,3		2		375			763	1334
W-00-11000/05500-005-LL-E-AAB0			± 0,5		3		480			509	1561
W-00-11000/05500-004-LL-E-AAB0	11000	5500	± 0,4	200	2	640950	375	11405	5905	360	1427
W-00-11000/05500-006-LL-E-AAB0			± 0,6		3		480			240	1700
W-00-12000/06000-001-LL-E-AAB0	12000	6000	± 0,1	150	1	750150	270	12305	6305	1974	1197
W-00-12000/06000-003-LL-E-AAB0			± 0,3		2		375			987	1441
W-00-12000/06000-002-LL-E-AAB0	12000	6000	± 0,2	200	1	759212	270	12405	6405	929	1247
W-00-12000/06000-004-LL-E-AAB0			± 0,4		2		375			465	1542
W-00-12000/06000-006-LL-E-AAB0			± 0,6		3		480			310	1836
W-00-13000/06500-001-LL-E-AAB0	13000	6500	± 0,1	150	1	877663	270	13305	6805	2501	1287
W-00-13000/06500-003-LL-E-AAB0			± 0,3		2		375			1250	1547
W-00-13000/06500-002-LL-E-AAB0	13000	6500	± 0,2	200	1	887475	270	13405	6905	1176	1341
W-00-13000/06500-004-LL-E-AAB0			± 0,4		2		375			588	1656
W-00-13000/06500-005-LL-E-AAB0			± 0,5		3		480			392	1971
W-00-14000/07000-001-LL-E-AAB0	14000	7000	± 0,1	150	1	1015175	270	14305	7305	3114	1377
W-00-14000/07000-004-LL-E-AAB0			± 0,4		3		480			1038	1930
W-00-14000/07000-002-LL-E-AAB0	14000	7000	± 0,2	200	1	1025737	270	14405	7405	1463	1435
W-00-14000/07000-003-LL-E-AAB0			± 0,3		2		375			731	1771
W-00-14000/07000-005-LL-E-AAB0			± 0,5		3		480			488	2106

Angular, rectangular metallic expansion joint

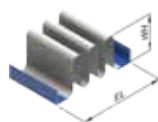
Compensator Properties	Design Temperature	≤ 300 °C
	Design Pressure	100 mbar
	Bellow Material	1.0330
	Corner Type	Double Miter
	Connection	Angle Flange
	Connection Material	1.0038
	Profile WH 80mm	L60x6
Profile WH 150/200mm	L80x8	
Cycles	≥ 1000	



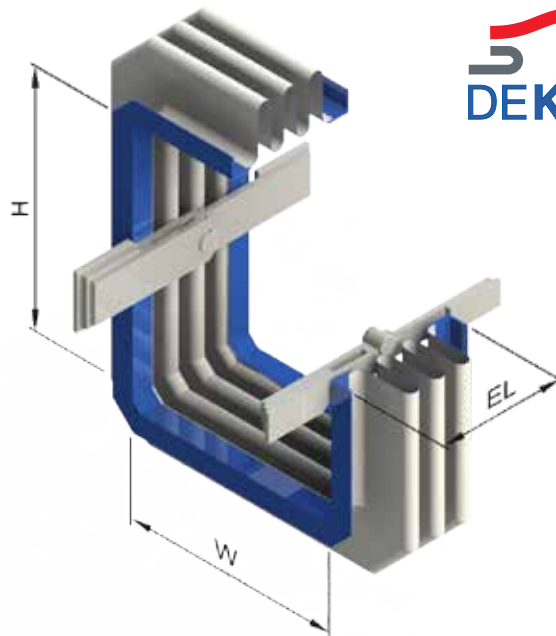
1 convolution



2 convolutions



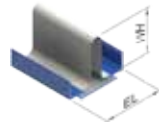
3 convolutions



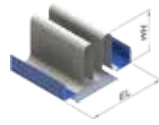
DEKOMTE Article Number	Clear Opening		Maximum Movement	Convolution Height WH	Number of Convolutions	Effective Area	Installation Length EL	Overall Dimension		Angular Adjustment Force	Weight
	Width W	Height H						Width	Height H		
	[mm]	[mm]						[mm]	[mm]		
W-00-15000/07500-001-LL-E-AAB0	15000	7500	± 0,1	150	1	1162688	270	15305	7805	3821	1466
W-00-15000/07500-002-LL-E-AAB0	15000	7500	± 0,2	200	1	1174000	270	15405	7905	1793	1529
W-00-15000/07500-003-LL-E-AAB0			± 0,3		2		375			897	1885
W-00-15000/07500-005-LL-E-AAB0			± 0,5		3		480			598	2241
W-00-16000/08000-001-LL-E-AAB0	16000	8000	± 0,1	150	1	1320200	270	16305	8305	4627	1556
W-00-16000/08000-002-LL-E-AAB0			± 0,2		2		375			2313	1866
W-00-16000/08000-003-LL-E-AAB0	16000	8000	± 0,3	200	2	1332262	375	16405	8405	1085	2000
W-00-16000/08000-004-LL-E-AAB0			± 0,4		3		480			723	2376
W-00-17000/08500-001-LL-E-AAB0	17000	8500	± 0,1	150	1	1487713	270	17305	8805	5539	1646
W-00-17000/08500-002-LL-E-AAB0			± 0,2		2		375			2769	1973
W-00-17000/08500-003-LL-E-AAB0	17000	8500	± 0,3	200	2	1500525	375	17405	8905	1298	2114
W-00-17000/08500-004-LL-E-AAB0			± 0,4		3		480			865	2511
W-00-18000/09000-001-LL-E-AAB0	18000	9000	± 0,1	150	1	1665225	270	18305	9305	6563	1736
W-00-18000/09000-002-LL-E-AAB0			± 0,2		2		375			3282	2079
W-00-18000/09000-003-LL-E-AAB0	18000	9000	± 0,3	200	2	1678787	375	18405	9405	1537	2229
W-00-18000/09000-004-LL-E-AAB0			± 0,4		3		480			1025	2647
W-00-19000/09500-001-LL-E-AAB0	19000	9500	± 0,1	150	1	1852738	270	19305	9805	7707	1826
W-00-19000/09500-002-LL-E-AAB0			± 0,2		2		375			3854	2186
W-00-19000/09500-003-LL-E-AAB0			± 0,3		3		480			2569	2546
W-00-19000/09500-004-LL-E-AAB0	19000	9500	± 0,4	200	3	1867050	480	19405	9905	1203	2782
W-00-20000/10000-001-LL-E-AAB0	20000	10000	± 0,1	150	1	2050250	270	20305	10305	8977	1916
W-00-20000/10000-002-LL-E-AAB0			± 0,2		2		375			4488	2292
W-00-20000/10000-003-LL-E-AAB0			± 0,3		3		480			2992	2669

Angular, rectangular metallic expansion joint

Compensator Properties	Design Temperature	≤ 300 °C
	Design Pressure	100 mbar
	Bellow Material	1.0330
	Corner Type	Double Miter
	Connection	Angle Flange
	Connection Material	1.0038
	Profile WH 80mm	L60x6
Profile WH 150/200mm	L80x8	
Sleeve Material	1.0038	
Thickness WH 80mm	3 mm	
Thickness WH 150/200mm	5 mm	
Cycles	≥ 1000	



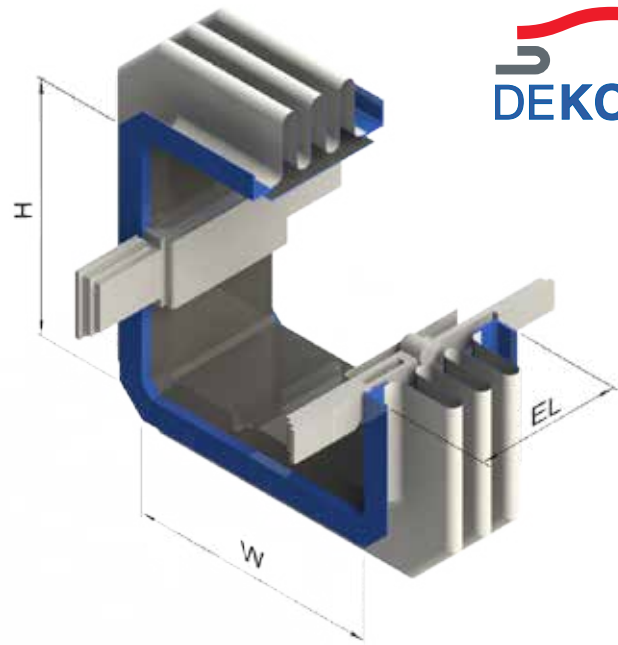
1 convolution



2 convolutions



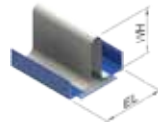
3 convolutions



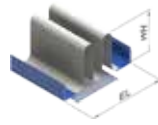
DEKOMTE Article Number	Clear Opening		Maximum Movement	Convolution Height WH	Number of Convolutions	Effective Area	Installation Length EL	Overall Dimension		Angular Adjustment Force	Weight
	Width W	Height H						Width	Height H		
	[mm]	[mm]						[mm]	[mm]		
W-00-00300/00300-019-LL-E-L-AAB0A	300	300	± 1,9	80	1	1416	200	465	465	0,57	110
W-00-00300/00300-038-LL-E-L-AAB0A			± 3,8		2		270			0,29	146
W-00-00300/00300-058-LL-E-L-AAB0A			± 5,8		3		340			0,19	182
W-00-00300/00600-019-LL-E-L-AAB0A	300	600	± 1,9	80	1	2597	200	465	765	0,92	124
W-00-00300/00600-038-LL-E-L-AAB0A			± 3,8		2		270			0,46	162
W-00-00300/00600-058-LL-E-L-AAB0A			± 5,8		3		340			0,31	202
W-00-00400/00400-015-LL-E-L-AAB0A	400	400	± 1,5	80	1	2303	200	565	565	1,16	119
W-00-00400/00400-030-LL-E-L-AAB0A			± 3,0		2		270			0,58	157
W-00-00400/00400-045-LL-E-L-AAB0A			± 4,5		3		340			0,39	195
W-00-00400/00800-015-LL-E-L-AAB0A	400	800	± 1,5	80	1	4277	200	565	965	1,88	137
W-00-00400/00800-030-LL-E-L-AAB0A			± 3,0		2		270			0,94	179
W-00-00400/00800-045-LL-E-L-AAB0A			± 4,5		3		340			0,63	221
W-00-00500/00500-012-LL-E-L-AAB0A	500	500	± 1,2	80	1	3390	200	665	665	2,04	128
W-00-00500/00500-025-LL-E-L-AAB0A			± 2,5		2		270			1,02	168
W-00-00500/00500-038-LL-E-L-AAB0A			± 3,8		3		340			0,68	208
W-00-00500/00500-033-LL-E-L-AAB0A	500	500	± 3,3	150	1	4175	270	805	805	0,48	198
W-00-00500/00500-066-LL-E-L-AAB0A			± 6,6		2		375			0,24	263
W-00-00500/00500-099-LL-E-L-AAB0A			± 9,9		3		480			0,16	328
W-00-00500/00500-044-LL-E-L-AAB0A	500	500	± 4,4	200	1	4737	270	905	905	0,28	203
W-00-00500/00500-088-LL-E-L-AAB0A			± 8,8		2		375			0,14	273
W-00-00500/00500-132-LL-E-L-AAB0A			± 13,2		3		480			0,09	342
W-00-00500/01000-012-LL-E-L-AAB0A	500	1000	± 1,2	80	1	6358	200	665	1165	3,37	150
W-00-00500/01000-025-LL-E-L-AAB0A			± 2,5		2		270			1,68	196
W-00-00500/01000-038-LL-E-L-AAB0A			± 3,8		3		340			1,12	241
W-00-00500/01000-033-LL-E-L-AAB0A	500	1000	± 3,3	150	1	7513	270	805	1305	0,76	238
W-00-00500/01000-066-LL-E-L-AAB0A			± 6,6		2		375			0,38	313
W-00-00500/01000-099-LL-E-L-AAB0A			± 9,9		3		480			0,25	388
W-00-00500/01000-044-LL-E-L-AAB0A	500	1000	± 4,4	200	1	8325	270	905	1405	0,43	244
W-00-00500/01000-088-LL-E-L-AAB0A			± 8,8		2		375			0,21	325
W-00-00500/01000-132-LL-E-L-AAB0A			± 13,2		3		480			0,14	406

Angular, rectangular metallic expansion joint

Compensator Properties	Design Temperature	≤ 300 °C
	Design Pressure	100 mbar
	Bellow Material	1.0330
	Corner Type	Double Miter
	Connection	Angle Flange
	Connection Material	1.0038
	Profile WH 80mm	L60x6
Profile WH 150/200mm	L80x8	
Sleeve Material	1.0038	
Thickness WH 80mm	3 mm	
Thickness WH 150/200mm	5 mm	
Cycles	≥ 1000	



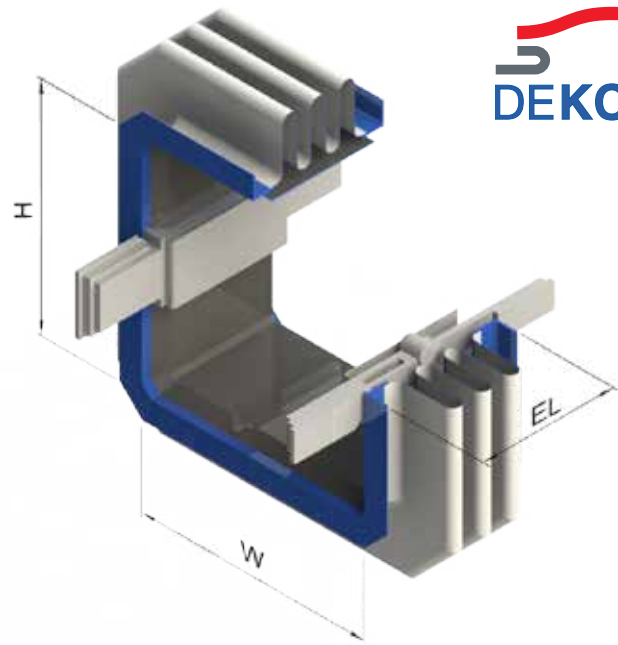
1 convolution



2 convolutions



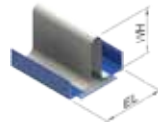
3 convolutions



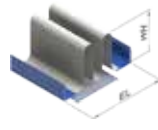
DEKOMTE Article Number	Clear Opening		Maximum Movement	Convolution Height WH	Number of Convolutions	Effective Area	Installation Length EL	Overall Dimension		Angular Adjustment Force	Weight
	Width W	Height H						Width	Height H		
	[mm]	[mm]						[mm]	[mm]		
W-00-00600/00300-010-LL-E-L-AAB0A	600	300	± 1,0	80	1	2597	200	765	465	2,20	124
W-00-00600/00300-021-LL-E-L-AAB0A			± 2,1		2		270			1,10	162
W-00-00600/00300-032-LL-E-L-AAB0A			± 3,2		3		340			0,73	202
W-00-00600/00600-010-LL-E-L-AAB0A	600	600	± 1,0	80	1	4677	200	765	765	3,29	137
W-00-00600/00600-021-LL-E-L-AAB0A			± 2,1		2		270			1,65	179
W-00-00600/00600-032-LL-E-L-AAB0A			± 3,2		3		340			1,10	221
W-00-00600/00600-028-LL-E-L-AAB0A	600	600	± 2,8	150	1	5610	270	905	905	0,74	214
W-00-00600/00600-056-LL-E-L-AAB0A			± 5,6		2		375			0,37	283
W-00-00600/00600-085-LL-E-L-AAB0A			± 8,5		3		480			0,25	352
W-00-00600/00600-038-LL-E-L-AAB0A	600	600	± 3,8	200	1	6272	270	1005	1005	0,42	219
W-00-00600/00600-075-LL-E-L-AAB0A			± 7,5		2		375			0,21	294
W-00-00600/00600-113-LL-E-L-AAB0A			± 11,3		3		480			0,14	368
W-00-00600/01200-010-LL-E-L-AAB0A	600	1200	± 1,0	80	1	8838	200	765	1365	5,48	164
W-00-00600/01200-021-LL-E-L-AAB0A			± 2,1		2		270			2,74	212
W-00-00600/01200-032-LL-E-L-AAB0A			± 3,2		3		340			1,83	261
W-00-00600/01200-028-LL-E-L-AAB0A	600	1200	± 2,8	150	1	10215	270	905	1505	1,18	262
W-00-00600/01200-056-LL-E-L-AAB0A			± 5,6		2		375			0,59	343
W-00-00600/01200-085-LL-E-L-AAB0A			± 8,5		3		480			0,39	424
W-00-00600/01200-038-LL-E-L-AAB0A	600	1200	± 3,8	200	1	11177	270	1005	1605	0,65	269
W-00-00600/01200-075-LL-E-L-AAB0A			± 7,5		2		375			0,32	357
W-00-00600/01200-113-LL-E-L-AAB0A			± 11,3		3		480			0,22	444
W-00-00700/00700-009-LL-E-L-AAB0A	700	700	± 0,9	80	1	6164	200	865	865	4,97	146
W-00-00700/00700-018-LL-E-L-AAB0A			± 1,8		2		270			2,49	190
W-00-00700/00700-028-LL-E-L-AAB0A			± 2,8		3		340			1,66	234
W-00-00700/00700-024-LL-E-L-AAB0A	700	700	± 2,4	150	1	7245	270	1005	1005	1,07	230
W-00-00700/00700-048-LL-E-L-AAB0A			± 4,8		2		375			0,54	303
W-00-00700/00700-073-LL-E-L-AAB0A			± 7,3		3		480			0,36	376
W-00-00700/00700-032-LL-E-L-AAB0A	700	700	± 3,2	200	1	8007	270	1105	1105	0,59	236
W-00-00700/00700-065-LL-E-L-AAB0A			± 6,5		2		375			0,30	315
W-00-00700/00700-097-LL-E-L-AAB0A			± 9,7		3		480			0,20	393

Angular, rectangular metallic expansion joint

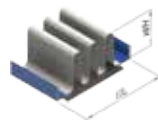
Compensator Properties	Design Temperature	≤ 300 °C
	Design Pressure	100 mbar
	Bellow Material	1.0330
	Corner Type	Double Miter
	Connection	Angle Flange
	Connection Material	1.0038
	Profile WH 80mm	L60x6
Profile WH 150/200mm	L80x8	
Sleeve Material	1.0038	
Thickness WH 80mm	3 mm	
Thickness WH 150/200mm	5 mm	
Cycles	≥ 1000	



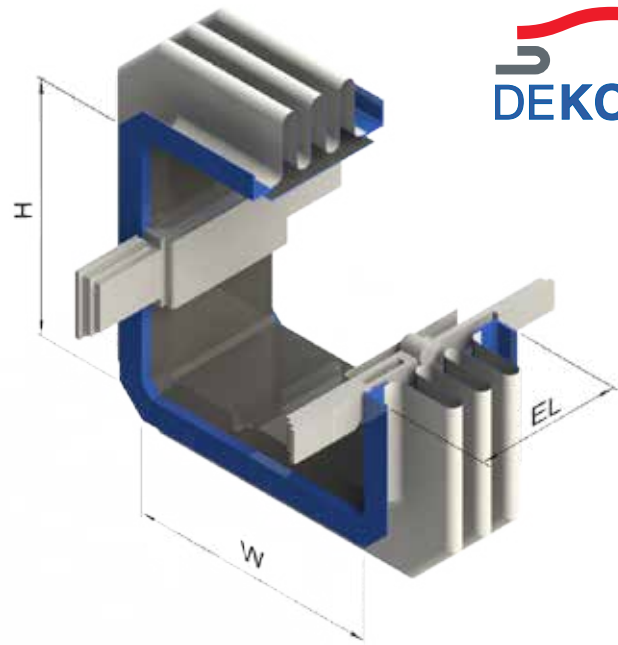
1 convolution



2 convolutions



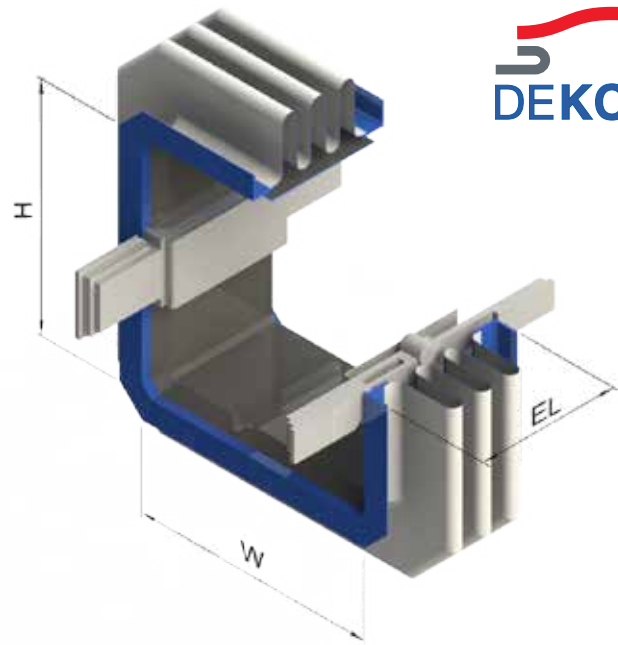
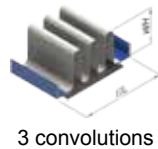
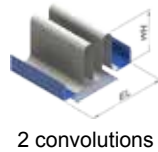
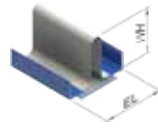
3 convolutions



DEKOMTE Article Number	Clear Opening		Maximum Movement	Convolution Height WH	Number of Convolutions	Effective Area	Installation Length EL	Overall Dimension		Angular Adjustment Force	Weight
	Width W	Height H						Width	Height H		
	[mm]	[mm]						[mm]	[mm]		
W-00-00700/01400-009-LL-E-L-AAB0A	700	1400	± 0,9	80	1	11719	200	865	1565	8,32	177
W-00-00700/01400-018-LL-E-L-AAB0A			± 1,8		2		270			4,16	229
W-00-00700/01400-028-LL-E-L-AAB0A			± 2,8		3		340			2,77	281
W-00-00700/01400-024-LL-E-L-AAB0A	700	1400	± 2,4	150	1	13318	270	1005	1705	1,74	286
W-00-00700/01400-048-LL-E-L-AAB0A			± 4,8		2		375			0,87	373
W-00-00700/01400-073-LL-E-L-AAB0A			± 7,3		3		480			0,58	460
W-00-00700/01400-032-LL-E-L-AAB0A	700	1400	± 3,2	200	1	14430	270	1105	1805	0,94	293
W-00-00700/01400-065-LL-E-L-AAB0A			± 6,5		2		375			0,47	388
W-00-00700/01400-097-LL-E-L-AAB0A			± 9,7		3		480			0,31	483
W-00-00800/00400-008-LL-E-L-AAB0A	800	400	± 0,8	80	1	4277	200	965	565	4,71	137
W-00-00800/00400-016-LL-E-L-AAB0A			± 1,6		2		270			2,35	179
W-00-00800/00400-025-LL-E-L-AAB0A			± 2,5		3		340			1,57	221
W-00-00800/00800-008-LL-E-L-AAB0A	800	800	± 0,8	80	1	7851	200	965	965	7,14	155
W-00-00800/00800-016-LL-E-L-AAB0A			± 1,6		2		270			3,57	201
W-00-00800/00800-025-LL-E-L-AAB0A			± 2,5		3		340			2,38	248
W-00-00800/00800-021-LL-E-L-AAB0A	800	800	± 2,1	150	1	9080	270	1105	1105	1,50	246
W-00-00800/00800-042-LL-E-L-AAB0A			± 4,2		2		375			0,75	323
W-00-00800/00800-064-LL-E-L-AAB0A			± 6,4		3		480			0,50	400
W-00-00800/00800-028-LL-E-L-AAB0A	800	800	± 2,8	200	1	9942	270	1205	1205	0,81	252
W-00-00800/00800-057-LL-E-L-AAB0A			± 5,7		2		375			0,41	336
W-00-00800/00800-085-LL-E-L-AAB0A			± 8,5		3		480			0,27	419
W-00-00800/01600-008-LL-E-L-AAB0A	800	1600	± 0,8	80	1	14999	200	965	1765	12,01	190
W-00-00800/01600-016-LL-E-L-AAB0A			± 1,6		2		270			6,00	245
W-00-00800/01600-025-LL-E-L-AAB0A			± 2,5		3		340			4,00	300
W-00-00800/01600-021-LL-E-L-AAB0A	800	1600	± 2,1	150	1	16820	270	1105	1905	2,44	309
W-00-00800/01600-042-LL-E-L-AAB0A			± 4,2		2		375			1,22	403
W-00-00800/01600-064-LL-E-L-AAB0A			± 6,4		3		480			0,81	496
W-00-00800/01600-028-LL-E-L-AAB0A	800	1600	± 2,8	200	1	18082	270	1205	2005	1,30	318
W-00-00800/01600-057-LL-E-L-AAB0A			± 5,7		2		375			0,65	420
W-00-00800/01600-085-LL-E-L-AAB0A			± 8,5		3		480			0,43	521

Angular, rectangular metallic expansion joint

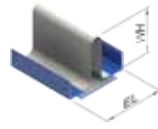
Compensator Properties	Design Temperature	≤ 300 °C
	Design Pressure	100 mbar
	Bellow Material	1.0330
	Corner Type	Double Miter
	Connection	Angle Flange
	Connection Material	1.0038
	Profile WH 80mm	L60x6
Profile WH 150/200mm	L80x8	
Sleeve Material	1.0038	
Thickness WH 80mm	3 mm	
Thickness WH 150/200mm	5 mm	
Cycles	≥ 1000	



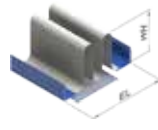
DEKOMTE Article Number	Clear Opening		Maximum Movement	Convolution Height WH	Number of Convolutions	Effective Area	Installation Length EL	Overall Dimension		Angular Adjustment Force	Weight
	Width W	Height H						Width	Height H		
	[mm]	[mm]						[mm]	[mm]		
W-00-00900/00900-007-LL-E-L-AAB0A	900	900	± 0,7	80	1	9738	200	1065	1065	9,86	164
W-00-00900/00900-015-LL-E-L-AAB0A			± 1,5		2		270			4,93	212
W-00-00900/00900-022-LL-E-L-AAB0A			± 2,2		3		340			3,29	261
W-00-00900/00900-019-LL-E-L-AAB0A	900	900	± 1,9	150	1	11115	270	1205	1205	2,02	262
W-00-00900/00900-038-LL-E-L-AAB0A			± 3,8		2		375			1,01	343
W-00-00900/00900-057-LL-E-L-AAB0A			± 5,7		3		480			0,67	424
W-00-00900/00900-025-LL-E-L-AAB0A	900	900	± 2,5	200	1	12077	270	1305	1305	1,08	269
W-00-00900/00900-050-LL-E-L-AAB0A			± 5,0		2		375			0,54	357
W-00-00900/00900-076-LL-E-L-AAB0A			± 7,6		3		480			0,36	444
W-00-00900/01800-007-LL-E-L-AAB0A	900	1800	± 0,7	80	1	18680	200	1065	1965	16,65	204
W-00-00900/01800-015-LL-E-L-AAB0A			± 1,5		2		270			8,33	262
W-00-00900/01800-022-LL-E-L-AAB0A			± 2,2		3		340			5,55	320
W-00-00900/01800-019-LL-E-L-AAB0A	900	1800	± 1,9	150	1	20723	270	1205	2105	3,32	333
W-00-00900/01800-038-LL-E-L-AAB0A			± 3,8		2		375			1,66	433
W-00-00900/01800-057-LL-E-L-AAB0A			± 5,7		3		480			1,11	532
W-00-00900/01800-025-LL-E-L-AAB0A	900	1800	± 2,5	200	1	22135	270	1305	2205	1,74	343
W-00-00900/01800-050-LL-E-L-AAB0A			± 5,0		2		375			0,87	451
W-00-00900/01800-076-LL-E-L-AAB0A			± 7,6		3		480			0,58	560
W-00-01000/00500-006-LL-E-L-AAB0A	1000	500	± 0,6	80	1	6358	200	1165	665	8,62	150
W-00-01000/00500-013-LL-E-L-AAB0A			± 1,3		2		270			4,31	196
W-00-01000/00500-020-LL-E-L-AAB0A			± 2,0		3		340			2,87	241
W-00-01000/00500-017-LL-E-L-AAB0A	1000	500	± 1,7	150	1	7513	270	1305	805	1,79	238
W-00-01000/00500-034-LL-E-L-AAB0A			± 3,4		2		375			0,90	313
W-00-01000/00500-051-LL-E-L-AAB0A			± 5,1		3		480			0,60	388
W-00-01000/00500-023-LL-E-L-AAB0A	1000	500	± 2,3	200	1	8325	270	1405	905	0,96	244
W-00-01000/00500-045-LL-E-L-AAB0A			± 4,5		2		375			0,48	325
W-00-01000/00500-068-LL-E-L-AAB0A			± 6,8		3		480			0,32	406
W-00-01000/01000-006-LL-E-L-AAB0A	1000	1000	± 0,6	80	1	11825	200	1165	1165	13,20	173
W-00-01000/01000-013-LL-E-L-AAB0A			± 1,3		2		270			6,60	223
W-00-01000/01000-020-LL-E-L-AAB0A			± 2,0		3		340			4,40	274

Angular, rectangular metallic expansion joint

Compensator Properties	Design Temperature	≤ 300 °C
	Design Pressure	100 mbar
	Bellow Material	1.0330
	Corner Type	Double Miter
	Connection	Angle Flange
	Connection Material	1.0038
	Profile WH 80mm	L60x6
Profile WH 150/200mm	L80x8	
Sleeve Material	1.0038	
Thickness WH 80mm	3 mm	
Thickness WH 150/200mm	5 mm	
Cycles	≥ 1000	



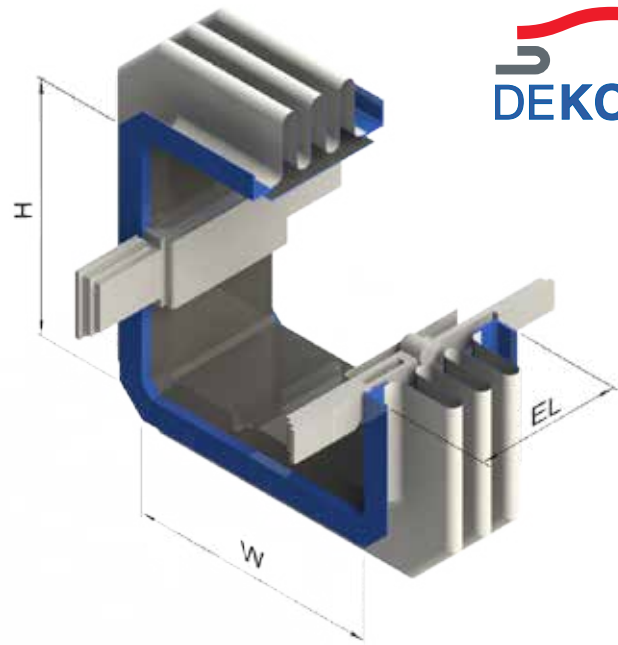
1 convolution



2 convolutions



3 convolutions

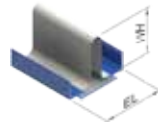


DEKOMTE Article Number	Clear Opening		Maximum Movement	Convolution Height WH	Number of Convolutions	Effective Area	Installation Length EL	Overall Dimension		Angular Adjustment Force	Weight
	Width W	Height H						Width	Height H		
	[mm]	[mm]						[mm]	[mm]		
W-00-01000/01000-017-LL-E-L-AAB0A	1000	1000	± 1,7	150	1	13350	270	1305	1305	2,66	278
W-00-01000/01000-034-LL-E-L-AAB0A			± 3,4		2		375			1,33	363
W-00-01000/01000-051-LL-E-L-AAB0A			± 5,1		3		480			0,89	448
W-00-01000/01000-023-LL-E-L-AAB0A	1000	1000	± 2,3	200	1	14412	270	1405	1405	1,40	285
W-00-01000/01000-045-LL-E-L-AAB0A			± 4,5		2		375			0,70	378
W-00-01000/01000-068-LL-E-L-AAB0A			± 6,8		3		480			0,47	470
W-00-01000/02000-006-LL-E-L-AAB0A	1000	2000	± 0,6	80	1	22760	200	1165	2165	22,37	217
W-00-01000/02000-013-LL-E-L-AAB0A			± 1,3		2		270			11,18	278
W-00-01000/02000-020-LL-E-L-AAB0A			± 2,0		3		340			7,46	340
W-00-01000/02000-017-LL-E-L-AAB0A	1000	2000	± 1,7	150	1	25025	270	1305	2305	4,39	357
W-00-01000/02000-034-LL-E-L-AAB0A			± 3,4		2		375			2,20	463
W-00-01000/02000-051-LL-E-L-AAB0A			± 5,1		3		480			1,46	568
W-00-01000/02000-023-LL-E-L-AAB0A	1000	2000	± 2,3	200	1	26587	270	1405	2405	2,28	367
W-00-01000/02000-045-LL-E-L-AAB0A			± 4,5		2		375			1,14	483
W-00-01000/02000-068-LL-E-L-AAB0A			± 6,8		3		480			0,76	598
W-00-01200/00600-005-LL-E-L-AAB0A	1200	600	± 0,5	80	1	8838	200	1365	765	14,25	164
W-00-01200/00600-011-LL-E-L-AAB0A			± 1,1		2		270			7,12	212
W-00-01200/00600-017-LL-E-L-AAB0A			± 1,7		3		340			4,75	261
W-00-01200/00600-014-LL-E-L-AAB0A	1200	600	± 1,4	150	1	10215	270	1505	905	2,87	262
W-00-01200/00600-028-LL-E-L-AAB0A			± 2,8		2		375			1,43	343
W-00-01200/00600-043-LL-E-L-AAB0A			± 4,3		3		480			0,96	424
W-00-01200/00600-019-LL-E-L-AAB0A	1200	600	± 1,9	200	1	11177	270	1605	1005	1,51	269
W-00-01200/00600-038-LL-E-L-AAB0A			± 3,8		2		375			0,75	357
W-00-01200/00600-057-LL-E-L-AAB0A			± 5,7		3		480			0,50	444
W-00-01200/01200-005-LL-E-L-AAB0A	1200	1200	± 0,5	80	1	16599	200	1365	1365	21,97	190
W-00-01200/01200-011-LL-E-L-AAB0A			± 1,1		2		270			10,99	245
W-00-01200/01200-017-LL-E-L-AAB0A			± 1,7		3		340			7,32	300
W-00-01200/01200-014-LL-E-L-AAB0A	1200	1200	± 1,4	150	1	18420	270	1505	1505	4,30	309
W-00-01200/01200-028-LL-E-L-AAB0A			± 2,8		2		375			2,15	403
W-00-01200/01200-043-LL-E-L-AAB0A			± 4,3		3		480			1,43	496

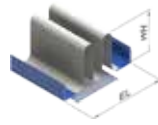
Angular, rectangular metallic expansion joint



Compensator Properties	Design Temperature	≤ 300 °C
	Design Pressure	100 mbar
	Bellow Material	1.0330
	Corner Type	Double Miter
	Connection	Angle Flange
	Connection Material	1.0038
	Profile WH 80mm	L60x6
Profile WH 150/200mm	L80x8	
Sleeve Material	1.0038	
Thickness WH 80mm	3 mm	
Thickness WH 150/200mm	5 mm	
Cycles	≥ 1000	



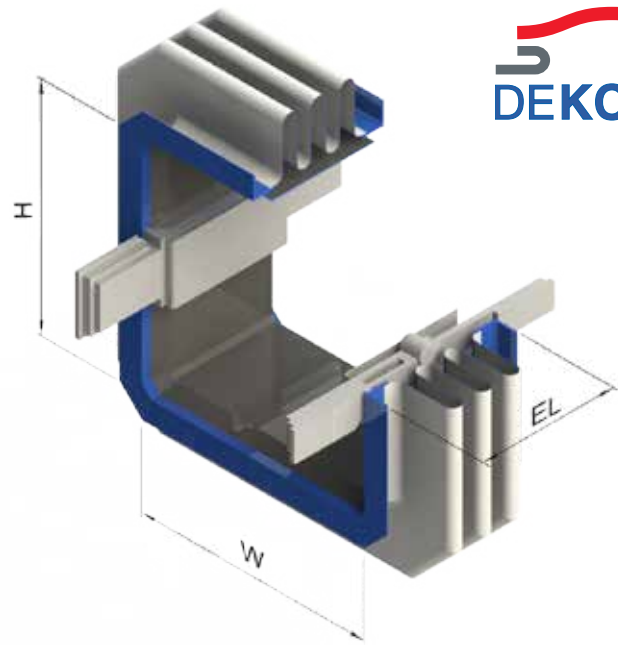
1 convolution



2 convolutions



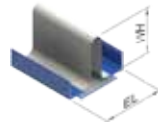
3 convolutions



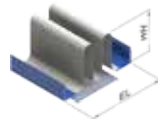
DEKOMTE Article Number	Clear Opening		Maximum Movement	Convolution Height WH	Number of Convolutions	Effective Area	Installation Length EL	Overall Dimension		Angular Adjustment Force	Weight
	Width W	Height H						Width	Height H		
	[mm]	[mm]						[mm]	[mm]		
W-00-01200/01200-019-LL-E-L-AAB0A	1200	1200	± 1,9	200	1	19682	270	1605	1605	2,22	318
W-00-01200/01200-038-LL-E-L-AAB0A			± 3,8		2		375			1,11	420
W-00-01200/01200-057-LL-E-L-AAB0A			± 5,7		3		480			0,74	521
W-00-01200/02400-005-LL-E-L-AAB0A	1200	2400	± 0,5	80	1	32121	200	1365	2565	37,43	244
W-00-01200/02400-011-LL-E-L-AAB0A			± 1,1		2		270			18,71	311
W-00-01200/02400-017-LL-E-L-AAB0A			± 1,7		3		340			12,48	379
W-00-01200/02400-014-LL-E-L-AAB0A	1200	2400	± 1,4	150	1	34830	270	1505	2705	7,17	405
W-00-01200/02400-028-LL-E-L-AAB0A			± 2,8		2		375			3,58	523
W-00-01200/02400-043-LL-E-L-AAB0A			± 4,3		3		480			2,39	640
W-00-01200/02400-019-LL-E-L-AAB0A	1200	2400	± 1,9	200	1	36692	270	1605	2805	3,65	417
W-00-01200/02400-038-LL-E-L-AAB0A			± 3,8		2		375			1,83	546
W-00-01200/02400-057-LL-E-L-AAB0A			± 5,7		3		480			1,22	675
W-00-01400/00700-004-LL-E-L-AAB0A	1400	700	± 0,4	80	1	11719	200	1565	865	21,92	177
W-00-01400/00700-009-LL-E-L-AAB0A			± 0,9		2		270			10,96	229
W-00-01400/00700-014-LL-E-L-AAB0A			± 1,4		3		340			7,31	281
W-00-01400/00700-012-LL-E-L-AAB0A	1400	700	± 1,2	150	1	13318	270	1705	1005	4,30	286
W-00-01400/00700-024-LL-E-L-AAB0A			± 2,4		2		375			2,15	373
W-00-01400/00700-037-LL-E-L-AAB0A			± 3,7		3		480			1,43	460
W-00-01400/00700-016-LL-E-L-AAB0A	1400	700	± 1,6	200	1	14430	270	1805	1105	2,23	293
W-00-01400/00700-033-LL-E-L-AAB0A			± 3,3		2		375			1,12	388
W-00-01400/00700-049-LL-E-L-AAB0A			± 4,9		3		480			0,74	483
W-00-01400/01400-004-LL-E-L-AAB0A	1400	1400	± 0,4	80	1	22173	200	1565	1565	33,97	208
W-00-01400/01400-009-LL-E-L-AAB0A			± 0,9		2		270			16,98	267
W-00-01400/01400-014-LL-E-L-AAB0A			± 1,4		3		340			11,32	327
W-00-01400/01400-012-LL-E-L-AAB0A	1400	1400	± 1,2	150	1	24290	270	1705	1705	6,51	341
W-00-01400/01400-024-LL-E-L-AAB0A			± 2,4		2		375			3,25	443
W-00-01400/01400-037-LL-E-L-AAB0A			± 3,7		3		480			2,17	544
W-00-01400/01400-016-LL-E-L-AAB0A	1400	1400	± 1,6	200	1	25752	270	1805	1805	3,32	351
W-00-01400/01400-033-LL-E-L-AAB0A			± 3,3		2		375			1,66	462
W-00-01400/01400-049-LL-E-L-AAB0A			± 4,9		3		480			1,11	573

Angular, rectangular metallic expansion joint

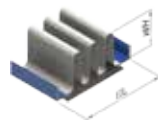
Compensator Properties	Design Temperature	≤ 300 °C
	Design Pressure	100 mbar
	Bellow Material	1.0330
	Corner Type	Double Miter
	Connection	Angle Flange
	Connection Material	1.0038
	Profile WH 80mm	L60x6
Profile WH 150/200mm	L80x8	
Sleeve Material	1.0038	
Thickness WH 80mm	3 mm	
Thickness WH 150/200mm	5 mm	
Cycles	≥ 1000	



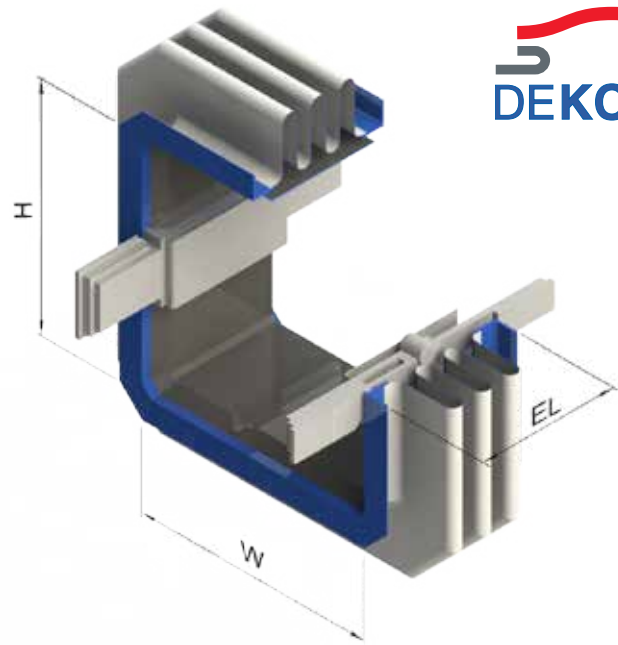
1 convolution



2 convolutions



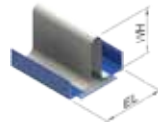
3 convolutions



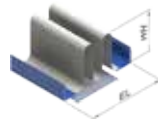
DEKOMTE Article Number	Clear Opening		Maximum Movement	Convolution Height WH	Number of Convolutions	Effective Area	Installation Length EL	Overall Dimension		Angular Adjustment Force	Weight
	Width W	Height H						Width	Height H		
	[mm]	[mm]						[mm]	[mm]		
W-00-01400/02800-004-LL-E-L-AAB0A	1400	2800	± 0,4	80	1	43082	200	1565	2965	58,07	271
W-00-01400/02800-009-LL-E-L-AAB0A			± 0,9		2		270			29,03	345
W-00-01400/02800-014-LL-E-L-AAB0A			± 1,4		3		340			19,36	419
W-00-01400/02800-012-LL-E-L-AAB0A	1400	2800	± 1,2	150	1	46235	270	1705	3105	10,92	453
W-00-01400/02800-024-LL-E-L-AAB0A			± 2,4		2		375			5,46	582
W-00-01400/02800-037-LL-E-L-AAB0A			± 3,7		3		480			3,64	712
W-00-01400/02800-016-LL-E-L-AAB0A	1400	2800	± 1,6	200	1	48397	270	1805	3205	5,50	466
W-00-01400/02800-033-LL-E-L-AAB0A			± 3,3		2		375			2,75	609
W-00-01400/02800-049-LL-E-L-AAB0A			± 4,9		3		480			1,83	752
W-00-01600/00800-004-LL-E-L-AAB0A	1600	800	± 0,4	80	1	14999	200	1765	965	31,94	190
W-00-01600/00800-008-LL-E-L-AAB0A			± 0,8		2		270			15,97	245
W-00-01600/00800-013-LL-E-L-AAB0A			± 1,3		3		340			10,65	300
W-00-01600/00800-011-LL-E-L-AAB0A	1600	800	± 1,1	150	1	16820	270	1905	1105	6,16	309
W-00-01600/00800-021-LL-E-L-AAB0A			± 2,1		2		375			3,08	403
W-00-01600/00800-032-LL-E-L-AAB0A			± 3,2		3		480			2,05	496
W-00-01600/00800-014-LL-E-L-AAB0A	1600	800	± 1,4	200	1	18082	270	2005	1205	3,15	318
W-00-01600/00800-028-LL-E-L-AAB0A			± 2,8		2		375			1,58	420
W-00-01600/00800-043-LL-E-L-AAB0A			± 4,3		3		480			1,05	521
W-00-01600/01600-004-LL-E-L-AAB0A	1600	1600	± 0,4	80	1	28547	200	1765	1765	49,68	226
W-00-01600/01600-008-LL-E-L-AAB0A			± 0,8		2		270			24,84	289
W-00-01600/01600-013-LL-E-L-AAB0A			± 1,3		3		340			16,56	353
W-00-01600/01600-011-LL-E-L-AAB0A	1600	1600	± 1,1	150	1	30960	270	1905	1905	9,37	373
W-00-01600/01600-021-LL-E-L-AAB0A			± 2,1		2		375			4,68	483
W-00-01600/01600-032-LL-E-L-AAB0A			± 3,2		3		480			3,12	592
W-00-01600/01600-014-LL-E-L-AAB0A	1600	1600	± 1,4	200	1	32622	270	2005	2005	4,73	384
W-00-01600/01600-028-LL-E-L-AAB0A			± 2,8		2		375			2,36	504
W-00-01600/01600-043-LL-E-L-AAB0A			± 4,3		3		480			1,58	624
W-00-01600/03200-004-LL-E-L-AAB0A	1600	3200	± 0,4	80	1	55643	200	1765	3365	85,17	297
W-00-01600/03200-008-LL-E-L-AAB0A			± 0,8		2		270			42,59	378
W-00-01600/03200-013-LL-E-L-AAB0A			± 1,3		3		340			28,39	458

Angular, rectangular metallic expansion joint

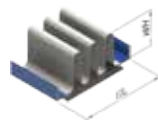
Compensator Properties	Design Temperature	≤ 300 °C
	Design Pressure	100 mbar
	Bellow Material	1.0330
	Corner Type	Double Miter
	Connection	Angle Flange
	Connection Material	1.0038
	Profile WH 80mm	L60x6
	Profile WH 150/200mm	L80x8
	Sleeve Material	1.0038
	Thickness WH 80mm	3 mm
Thickness WH 150/200mm	5 mm	
Cycles	≥ 1000	



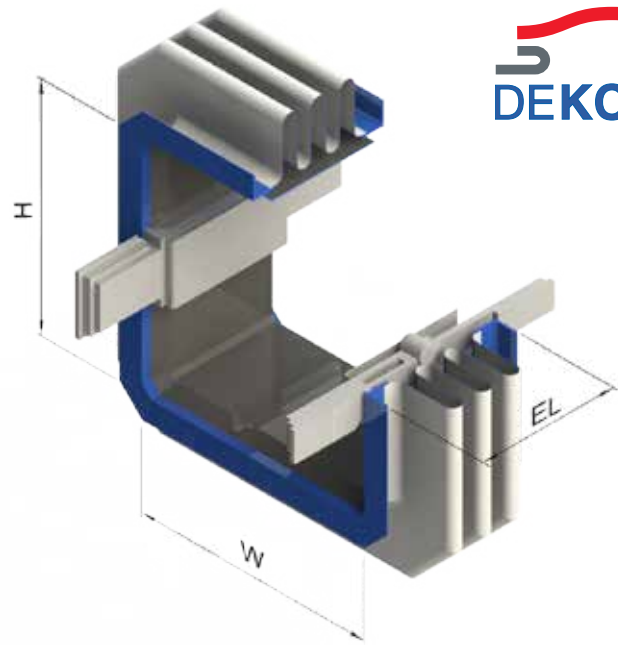
1 convolution



2 convolutions



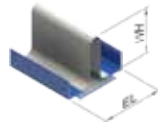
3 convolutions



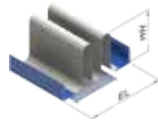
DEKOMTE Article Number	Clear Opening		Maximum Movement	Convolution Height WH	Number of Convolutions	Effective Area	Installation Length EL	Overall Dimension		Angular Adjustment Force	Weight
	Width W	Height H						Width	Height H		
	[mm]	[mm]						[mm]	[mm]		
W-00-01600/03200-011-LL-E-L-AAB0A	1600	3200	± 1,1	150	1	59240	270	1905	3505	15,79	500
W-00-01600/03200-021-LL-E-L-AAB0A			± 2,1		2		375			7,89	642
W-00-01600/03200-032-LL-E-L-AAB0A			± 3,2		3		480			5,26	784
W-00-01600/03200-014-LL-E-L-AAB0A	1600	3200	± 1,4	200	1	61702	270	2005	3605	7,88	515
W-00-01600/03200-028-LL-E-L-AAB0A			± 2,8		2		375			3,94	672
W-00-01600/03200-043-LL-E-L-AAB0A			± 4,3		3		480			2,63	829
W-00-01800/00900-003-LL-E-L-AAB0A	1800	900	± 0,3	80	1	18680	200	1965	1065	44,63	204
W-00-01800/00900-007-LL-E-L-AAB0A			± 0,7		2		270			22,31	262
W-00-01800/00900-011-LL-E-L-AAB0A			± 1,1		3		340			14,88	320
W-00-01800/00900-009-LL-E-L-AAB0A	1800	900	± 0,9	150	1	20723	270	2105	1205	8,47	333
W-00-01800/00900-019-LL-E-L-AAB0A			± 1,9		2		375			4,24	433
W-00-01800/00900-029-LL-E-L-AAB0A			± 2,9		3		480			2,82	532
W-00-01800/00900-013-LL-E-L-AAB0A	1800	900	± 1,3	200	1	22135	270	2205	1305	4,30	343
W-00-01800/00900-025-LL-E-L-AAB0A			± 2,5		2		375			2,15	451
W-00-01800/00900-038-LL-E-L-AAB0A			± 3,8		3		480			1,43	560
W-00-01800/01800-003-LL-E-L-AAB0A	1800	1800	± 0,3	80	1	35721	200	1965	1965	69,62	244
W-00-01800/01800-007-LL-E-L-AAB0A			± 0,7		2		270			34,81	311
W-00-01800/01800-011-LL-E-L-AAB0A			± 1,1		3		340			23,21	379
W-00-01800/01800-009-LL-E-L-AAB0A	1800	1800	± 0,9	150	1	38430	270	2105	2105	12,96	405
W-00-01800/01800-019-LL-E-L-AAB0A			± 1,9		2		375			6,48	523
W-00-01800/01800-029-LL-E-L-AAB0A			± 2,9		3		480			4,32	640
W-00-01800/01800-013-LL-E-L-AAB0A	1800	1800	± 1,3	200	1	40292	270	2205	2205	6,48	417
W-00-01800/01800-025-LL-E-L-AAB0A			± 2,5		2		375			3,24	546
W-00-01800/01800-038-LL-E-L-AAB0A			± 3,8		3		480			2,16	675
W-00-01800/03600-003-LL-E-L-AAB0A	1800	3600	± 0,3	80	1	69804	200	1965	3765	120	324
W-00-01800/03600-007-LL-E-L-AAB0A			± 0,7		2		270			59,81	411
W-00-01800/03600-011-LL-E-L-AAB0A			± 1,1		3		340			39,87	498
W-00-01800/03600-009-LL-E-L-AAB0A	1800	3600	± 0,9	150	1	73845	270	2105	3905	21,93	548
W-00-01800/03600-019-LL-E-L-AAB0A			± 1,9		2		375			10,97	702
W-00-01800/03600-029-LL-E-L-AAB0A			± 2,9		3		480			7,31	856

Angular, rectangular metallic expansion joint

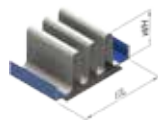
Compensator Properties	Design Temperature	≤ 300 °C
	Design Pressure	100 mbar
	Bellow Material	1.0330
	Corner Type	Double Miter
	Connection	Angle Flange
	Connection Material	1.0038
	Profile WH 80mm	L60x6
Profile WH 150/200mm	L80x8	
Sleeve Material	1.0038	
Thickness WH 80mm	3 mm	
Thickness WH 150/200mm	5 mm	
Cycles	≥ 1000	



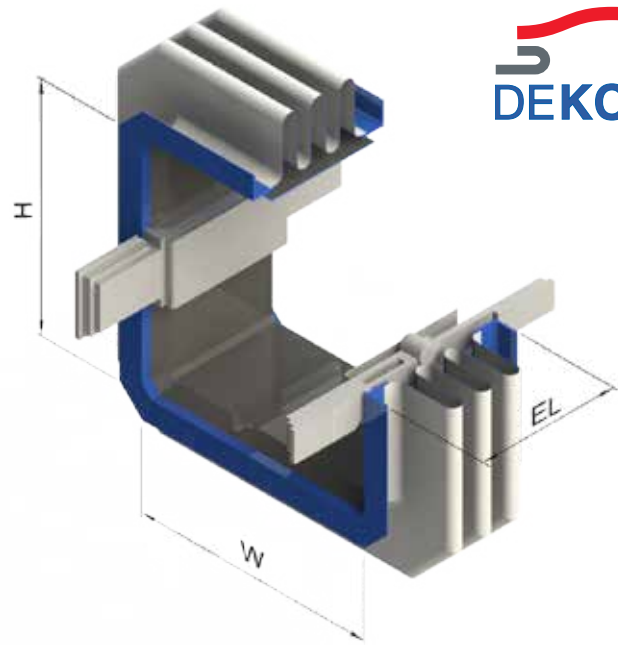
1 convolution



2 convolutions



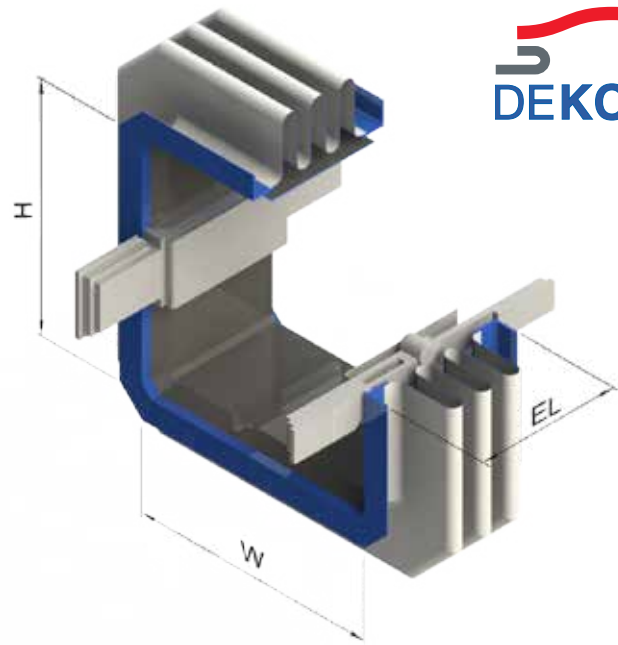
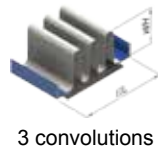
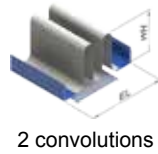
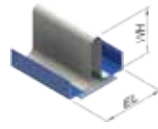
3 convolutions



DEKOMTE Article Number	Clear Opening		Maximum Movement	Convolution Height WH	Number of Convolutions	Effective Area	Installation Length EL	Overall Dimension		Angular Adjustment Force	Weight
	Width W	Height H						Width	Height H		
	[mm]	[mm]						[mm]	[mm]		
W-00-01800/03600-013-LL-E-L-AAB0A	1800	3600	± 1,3	200	1	76607	270	2205	4005	10,86	565
W-00-01800/03600-025-LL-E-L-AAB0A			± 2,5		2		375			5,43	735
W-00-01800/03600-038-LL-E-L-AAB0A			± 3,8		3		480			3,62	906
W-00-02000/01000-003-LL-E-L-AAB0A	2000	1000	± 0,3	80	1	22760	200	2165	1165	60,29	217
W-00-02000/01000-007-LL-E-L-AAB0A			± 0,7		2		270			30,15	278
W-00-02000/01000-010-LL-E-L-AAB0A			± 1,0		3		340			20,10	340
W-00-02000/01000-009-LL-E-L-AAB0A	2000	1000	± 0,9	150	1	25025	270	2305	1305	11,31	357
W-00-02000/01000-017-LL-E-L-AAB0A			± 1,7		2		375			5,66	463
W-00-02000/01000-026-LL-E-L-AAB0A			± 2,6		3		480			3,77	568
W-00-02000/01000-011-LL-E-L-AAB0A	2000	1000	± 1,1	200	1	26587	270	2405	1405	5,69	367
W-00-02000/01000-023-LL-E-L-AAB0A			± 2,3		2		375			2,84	483
W-00-02000/01000-034-LL-E-L-AAB0A			± 3,4		3		480			1,90	598
W-00-02000/02000-003-LL-E-L-AAB0A	2000	2000	± 0,3	80	1	43695	200	2165	2165	94,29	262
W-00-02000/02000-007-LL-E-L-AAB0A			± 0,7		2		270			47,15	334
W-00-02000/02000-010-LL-E-L-AAB0A			± 1,0		3		340			31,43	406
W-00-02000/02000-009-LL-E-L-AAB0A	2000	2000	± 0,9	150	1	46700	270	2305	2305	17,37	437
W-00-02000/02000-017-LL-E-L-AAB0A			± 1,7		2		375			8,68	562
W-00-02000/02000-026-LL-E-L-AAB0A			± 2,6		3		480			5,79	688
W-00-02000/02000-011-LL-E-L-AAB0A	2000	2000	± 1,1	200	1	48762	270	2405	2405	8,63	450
W-00-02000/02000-023-LL-E-L-AAB0A			± 2,3		2		375			4,32	588
W-00-02000/02000-034-LL-E-L-AAB0A			± 3,4		3		480			2,88	727
W-00-02000/04000-003-LL-E-L-AAB0A	2000	4000	± 0,3	80	1	85565	200	2165	4165	162	351
W-00-02000/04000-007-LL-E-L-AAB0A			± 0,7		2		270			81,15	444
W-00-02000/04000-010-LL-E-L-AAB0A			± 1,0		3		340			54,10	537
W-00-02000/04000-009-LL-E-L-AAB0A	2000	4000	± 0,9	150	1	90050	270	2305	4305	29,49	596
W-00-02000/04000-017-LL-E-L-AAB0A			± 1,7		2		375			14,74	762
W-00-02000/04000-026-LL-E-L-AAB0A			± 2,6		3		480			9,83	928
W-00-02000/04000-011-LL-E-L-AAB0A	2000	4000	± 1,1	200	1	93112	270	2405	4405	14,52	614
W-00-02000/04000-023-LL-E-L-AAB0A			± 2,3		2		375			7,26	799
W-00-02000/04000-034-LL-E-L-AAB0A			± 3,4		3		480			4,84	983

Angular, rectangular metallic expansion joint

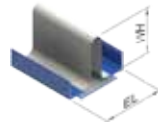
Compensator Properties	Design Temperature	≤ 300 °C
	Design Pressure	100 mbar
	Bellow Material	1.0330
	Corner Type	Double Miter
	Connection	Angle Flange
	Connection Material	1.0038
	Profile WH 80mm	L60x6
Profile WH 150/200mm	L80x8	
Sleeve Material	1.0038	
Thickness WH 80mm	3 mm	
Thickness WH 150/200mm	5 mm	
Cycles	≥ 1000	



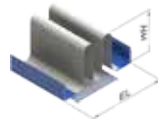
DEKOMTE Article Number	Clear Opening		Maximum Movement	Convolution Height WH	Number of Convolutions	Effective Area	Installation Length EL	Overall Dimension		Angular Adjustment Force	Weight
	Width W	Height H						Width	Height H		
	[mm]	[mm]						[mm]	[mm]		
W-00-02200/02200-008-LL-E-L-AAB0A	2200	2200	± 0,8	150	1	55770	270	2505	2505	22,68	468
W-00-02200/02200-016-LL-E-L-AAB0A			± 1,6		2		375			11,34	602
W-00-02200/02200-023-LL-E-L-AAB0A			± 2,3		3		480			7,56	736
W-00-02200/02200-010-LL-E-L-AAB0A	2200	2200	± 1,0	200	1	58032	270	2605	2605	11,21	482
W-00-02200/02200-021-LL-E-L-AAB0A			± 2,1		2		375			5,60	630
W-00-02200/02200-031-LL-E-L-AAB0A			± 3,1		3		480			3,74	778
W-00-02200/04400-008-LL-E-L-AAB0A	2200	4400	± 0,8	150	1	107855	270	2505	4705	38,61	643
W-00-02200/04400-016-LL-E-L-AAB0A			± 1,6		2		375			19,30	822
W-00-02200/04400-023-LL-E-L-AAB0A			± 2,3		3		480			12,87	1000
W-00-02200/04400-010-LL-E-L-AAB0A	2200	4400	± 1,0	200	1	111217	270	2605	4805	18,91	663
W-00-02200/04400-021-LL-E-L-AAB0A			± 2,1		2		375			9,45	862
W-00-02200/04400-031-LL-E-L-AAB0A			± 3,1		3		480			6,30	1060
W-00-02400/01200-002-LL-E-L-AAB0A	2400	1200	± 0,2	80	1	32121	200	2565	1365	102	244
W-00-02400/01200-005-LL-E-L-AAB0A			± 0,5		2		270			50,91	311
W-00-02400/01200-008-LL-E-L-AAB0A			± 0,8		3		340			33,94	379
W-00-02400/01200-007-LL-E-L-AAB0A	2400	1200	± 0,7	150	1	34830	270	2705	1505	18,75	405
W-00-02400/01200-014-LL-E-L-AAB0A			± 1,4		2		375			9,38	523
W-00-02400/01200-021-LL-E-L-AAB0A			± 2,1		3		480			6,25	640
W-00-02400/01200-010-LL-E-L-AAB0A	2400	1200	± 1,0	200	1	36692	270	2805	1605	9,32	417
W-00-02400/01200-019-LL-E-L-AAB0A			± 1,9		2		375			4,66	546
W-00-02400/01200-029-LL-E-L-AAB0A			± 2,9		3		480			3,11	675
W-00-02400/02400-007-LL-E-L-AAB0A	2400	2400	± 0,7	150	1	65640	270	2705	2705	28,98	500
W-00-02400/02400-014-LL-E-L-AAB0A			± 1,4		2		375			14,49	642
W-00-02400/02400-021-LL-E-L-AAB0A			± 2,1		3		480			9,66	784
W-00-02400/02400-010-LL-E-L-AAB0A	2400	2400	± 1,0	200	1	68102	270	2805	2805	14,25	515
W-00-02400/02400-019-LL-E-L-AAB0A			± 1,9		2		375			7,12	672
W-00-02400/02400-029-LL-E-L-AAB0A			± 2,9		3		480			4,75	829
W-00-02400/04800-007-LL-E-L-AAB0A	2400	4800	± 0,7	150	1	127260	270	2705	5105	49,44	691
W-00-02400/04800-014-LL-E-L-AAB0A			± 1,4		2		375			24,72	882
W-00-02400/04800-021-LL-E-L-AAB0A			± 2,1		3		480			16,48	1072

Angular, rectangular metallic expansion joint

Compensator Properties	Design Temperature	≤ 300 °C
	Design Pressure	100 mbar
	Bellow Material	1.0330
	Corner Type	Double Miter
	Connection	Angle Flange
	Connection Material	1.0038
	Profile WH 80mm	L60x6
Profile WH 150/200mm	L80x8	
Sleeve Material	1.0038	
Thickness WH 80mm	3 mm	
Thickness WH 150/200mm	5 mm	
Cycles	≥ 1000	



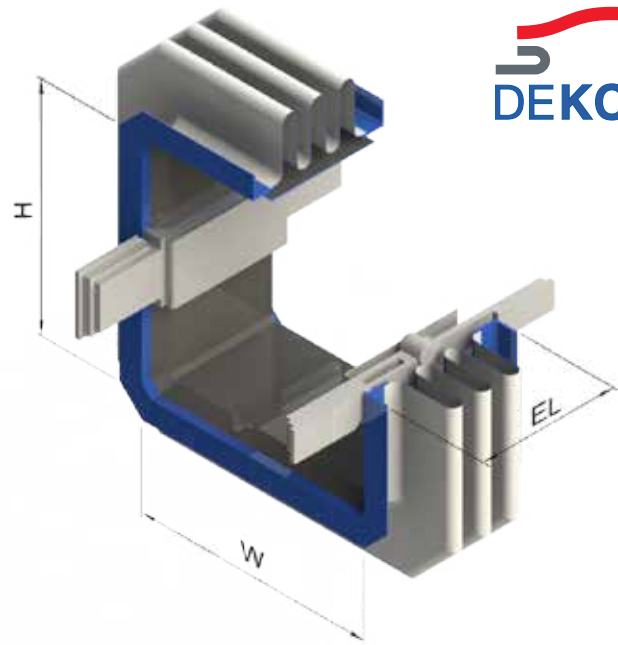
1 convolution



2 convolutions



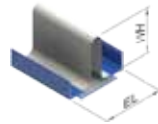
3 convolutions



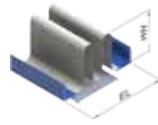
DEKOMTE Article Number	Clear Opening		Maximum Movement	Convolution Height WH	Number of Convolutions	Effective Area	Installation Length EL	Overall Dimension		Angular Adjustment Force	Weight
	Width W	Height H						Width	Height H		
	[mm]	[mm]						[mm]	[mm]		
W-00-02400/04800-010-LL-E-L-AAB0A	2400	4800	± 1,0	200	1	130922	270	2805	5205	24,11	713
W-00-02400/04800-019-LL-E-L-AAB0A			± 1,9		2		375			12,06	925
W-00-02400/04800-029-LL-E-L-AAB0A			± 2,9		3		480			8,04	1137
W-00-02600/02600-007-LL-E-L-AAB0A	2600	2600	± 0,7	150	1	76310	270	2905	2905	36,35	532
W-00-02600/02600-013-LL-E-L-AAB0A			± 1,3		2		375			18,17	682
W-00-02600/02600-020-LL-E-L-AAB0A			± 2,0		3		480			12,12	832
W-00-02600/02600-009-LL-E-L-AAB0A	2600	2600	± 0,9	200	1	78972	270	3005	3005	17,79	548
W-00-02600/02600-018-LL-E-L-AAB0A			± 1,8		2		375			8,90	714
W-00-02600/02600-026-LL-E-L-AAB0A			± 2,6		3		480			5,93	880
W-00-02600/05200-007-LL-E-L-AAB0A	2600	5200	± 0,7	150	1	148265	270	2905	5505	62,12	739
W-00-02600/05200-013-LL-E-L-AAB0A			± 1,3		2		375			31,06	942
W-00-02600/05200-020-LL-E-L-AAB0A			± 2,0		3		480			20,71	1144
W-00-02600/05200-009-LL-E-L-AAB0A	2600	5200	± 0,9	200	1	152227	270	3005	5605	30,19	762
W-00-02600/05200-018-LL-E-L-AAB0A			± 1,8		2		375			15,09	988
W-00-02600/05200-026-LL-E-L-AAB0A			± 2,6		3		480			10,06	1214
W-00-02800/01400-002-LL-E-L-AAB0A	2800	1400	± 0,2	80	1	43082	200	2965	1565	159	271
W-00-02800/01400-005-LL-E-L-AAB0A			± 0,5		2		270			79,52	345
W-00-02800/01400-007-LL-E-L-AAB0A			± 0,7		3		340			53,02	419
W-00-02800/01400-006-LL-E-L-AAB0A	2800	1400	± 0,6	150	1	46235	270	3105	1705	28,90	453
W-00-02800/01400-012-LL-E-L-AAB0A			± 1,2		2		375			14,45	582
W-00-02800/01400-018-LL-E-L-AAB0A			± 1,8		3		480			9,63	712
W-00-02800/01400-008-LL-E-L-AAB0A	2800	1400	± 0,8	200	1	48397	270	3205	1805	14,23	466
W-00-02800/01400-016-LL-E-L-AAB0A			± 1,6		2		375			7,11	609
W-00-02800/01400-024-LL-E-L-AAB0A			± 2,4		3		480			4,74	752
W-00-02800/02800-006-LL-E-L-AAB0A	2800	2800	± 0,6	150	1	87780	270	3105	3105	44,87	564
W-00-02800/02800-012-LL-E-L-AAB0A			± 1,2		2		375			22,43	722
W-00-02800/02800-018-LL-E-L-AAB0A			± 1,8		3		480			14,96	880
W-00-02800/02800-008-LL-E-L-AAB0A	2800	2800	± 0,8	200	1	90642	270	3205	3205	21,89	581
W-00-02800/02800-016-LL-E-L-AAB0A			± 1,6		2		375			10,94	756
W-00-02800/02800-024-LL-E-L-AAB0A			± 2,4		3		480			7,30	932

Angular, rectangular metallic expansion joint

Compensator Properties	Design Temperature	≤ 300 °C
	Design Pressure	100 mbar
	Bellow Material	1.0330
	Corner Type	Double Miter
	Connection	Angle Flange
	Connection Material	1.0038
	Profile WH 80mm	L60x6
Profile WH 150/200mm	L80x8	
Sleeve Material	1.0038	
Thickness WH 80mm	3 mm	
Thickness WH 150/200mm	5 mm	
Cycles	≥ 1000	



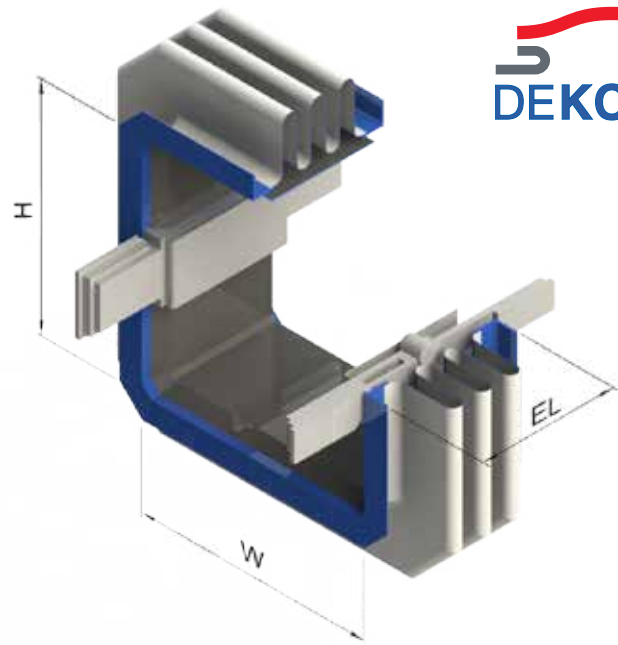
1 convolution



2 convolutions



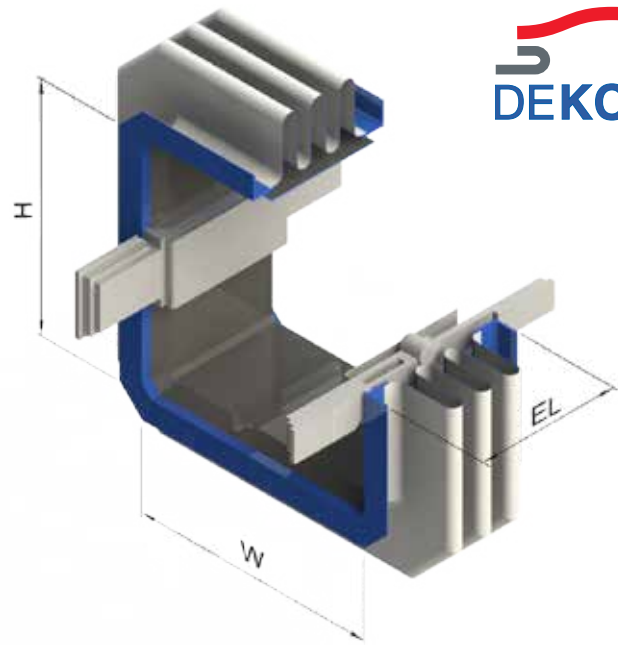
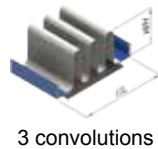
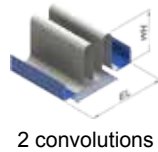
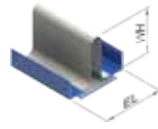
3 convolutions



DEKOMTE Article Number	Clear Opening		Maximum Movement	Convolution Height WH	Number of Convolutions	Effective Area	Installation Length EL	Overall Dimension		Angular Adjustment Force	Weight
	Width W	Height H						Width	Height H		
	[mm]	[mm]						[mm]	[mm]		
W-00-02800/05600-006-LL-E-L-AAB0A	2800	5600	± 0,6	150	1	170870	270	3105	5905	76,81	787
W-00-02800/05600-012-LL-E-L-AAB0A			± 1,2		2		375			38,40	1002
W-00-02800/05600-018-LL-E-L-AAB0A			± 1,8		3		480			25,60	1217
W-00-02800/05600-008-LL-E-L-AAB0A	2800	5600	± 0,8	200	1	175132	270	3205	6005	37,21	811
W-00-02800/05600-016-LL-E-L-AAB0A			± 1,6		2		375			18,60	1051
W-00-02800/05600-024-LL-E-L-AAB0A			± 2,4		3		480			12,40	1291
W-00-03000/03000-006-LL-E-L-AAB0A	3000	3000	± 0,6	150	1	100050	270	3305	3305	54,63	596
W-00-03000/03000-011-LL-E-L-AAB0A			± 1,1		2		375			27,31	762
W-00-03000/03000-017-LL-E-L-AAB0A			± 1,7		3		480			18,21	928
W-00-03000/03000-008-LL-E-L-AAB0A	3000	3000	± 0,8	200	1	103112	270	3405	3405	26,56	614
W-00-03000/03000-015-LL-E-L-AAB0A			± 1,5		2		375			13,28	799
W-00-03000/03000-023-LL-E-L-AAB0A			± 2,3		3		480			8,85	983
W-00-03000/06000-006-LL-E-L-AAB0A	3000	6000	± 0,6	150	1	195075	270	3305	6305	93,64	834
W-00-03000/06000-011-LL-E-L-AAB0A			± 1,1		2		375			46,82	1062
W-00-03000/06000-017-LL-E-L-AAB0A			± 1,7		3		480			31,21	1289
W-00-03000/06000-008-LL-E-L-AAB0A	3000	6000	± 0,8	200	1	199637	270	3405	6405	45,24	861
W-00-03000/06000-015-LL-E-L-AAB0A			± 1,5		2		375			22,62	1114
W-00-03000/06000-023-LL-E-L-AAB0A			± 2,3		3		480			15,08	1367
W-00-03200/01600-002-LL-E-L-AAB0A	3200	1600	± 0,2	80	1	55643	200	3365	1765	234	297
W-00-03200/01600-004-LL-E-L-AAB0A			± 0,4		2		270			117	378
W-00-03200/01600-006-LL-E-L-AAB0A			± 0,6		3		340			78,16	458
W-00-03200/01600-005-LL-E-L-AAB0A	3200	1600	± 0,5	150	1	59240	270	3505	1905	42,17	500
W-00-03200/01600-011-LL-E-L-AAB0A			± 1,1		2		375			21,08	642
W-00-03200/01600-016-LL-E-L-AAB0A			± 1,6		3		480			14,06	784
W-00-03200/01600-007-LL-E-L-AAB0A	3200	1600	± 0,7	200	1	61702	270	3605	2005	20,62	515
W-00-03200/01600-014-LL-E-L-AAB0A			± 1,4		2		375			10,31	672
W-00-03200/01600-021-LL-E-L-AAB0A			± 2,1		3		480			6,87	829
W-00-03500/03500-005-LL-E-L-AAB0A	3500	3500	± 0,5	150	1	134225	270	3805	3805	84,99	675
W-00-03500/03500-010-LL-E-L-AAB0A			± 1,0		2		375			42,49	862
W-00-03500/03500-015-LL-E-L-AAB0A			± 1,5		3		480			28,33	1048

Angular, rectangular metallic expansion joint

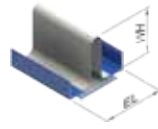
Compensator Properties	Design Temperature	≤ 300 °C
	Design Pressure	100 mbar
	Bellow Material	1.0330
	Corner Type	Double Miter
	Connection	Angle Flange
	Connection Material	1.0038
	Profile WH 80mm	L60x6
Profile WH 150/200mm	L80x8	
Sleeve Material	1.0038	
Thickness WH 80mm	3 mm	
Thickness WH 150/200mm	5 mm	
Cycles	≥ 1000	



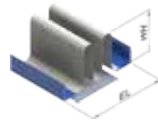
DEKOMTE Article Number	Clear Opening		Maximum Movement	Convolution Height WH	Number of Convolutions	Effective Area	Installation Length EL	Overall Dimension		Angular Adjustment Force	Weight
	Width W	Height H						Width	Height H		
	[mm]	[mm]						[mm]	[mm]		
W-00-03500/03500-007-LL-E-L-AAB0A	3500	3500	± 0,7	200	1	137787	270	3905	3905	41,06	696
W-00-03500/03500-013-LL-E-L-AAB0A			± 1,3		2		375			20,53	904
W-00-03500/03500-020-LL-E-L-AAB0A			± 2,0		3		480			13,69	1111
W-00-03500/07000-005-LL-E-L-AAB0A	3500	7000	± 0,5	150	1	262588	270	3805	7305	146	954
W-00-03500/07000-010-LL-E-L-AAB0A			± 1,0		2		375			73,05	1211
W-00-03500/07000-015-LL-E-L-AAB0A			± 1,5		3		480			48,70	1469
W-00-03500/07000-007-LL-E-L-AAB0A	3500	7000	± 0,7	200	1	267900	270	3905	7405	70,19	984
W-00-03500/07000-013-LL-E-L-AAB0A			± 1,3		2		375			35,10	1272
W-00-03500/07000-020-LL-E-L-AAB0A			± 2,0		3		480			23,40	1560
W-00-03600/01800-001-LL-E-L-AAB0A	3600	1800	± 0,1	80	1	69804	200	3765	1965	331	324
W-00-03600/01800-003-LL-E-L-AAB0A			± 0,3		2		270			165	411
W-00-03600/01800-005-LL-E-L-AAB0A			± 0,5		3		340			110	498
W-00-03600/01800-010-LL-E-L-AAB0A	3600	1800	± 1,0	150	2	73845	375	3905	2105	29,49	702
W-00-03600/01800-014-LL-E-L-AAB0A			± 1,4		3		480			19,66	856
W-00-03600/01800-006-LL-E-L-AAB0A			± 0,6		1		270			28,68	565
W-00-03600/01800-013-LL-E-L-AAB0A	3600	1800	± 1,3	200	2	76607	375	4005	2205	14,34	735
W-00-03600/01800-019-LL-E-L-AAB0A			± 1,9		3		480			9,56	906
W-00-04000/02000-001-LL-E-L-AAB0A			± 0,1		1		200			450	351
W-00-04000/02000-003-LL-E-L-AAB0A	4000	2000	± 0,3	80	2	85565	270	4165	2165	225	444
W-00-04000/02000-005-LL-E-L-AAB0A			± 0,5		3		340			150	537
W-00-04000/02000-004-LL-E-L-AAB0A			± 0,4		1		270			79,76	596
W-00-04000/02000-009-LL-E-L-AAB0A	4000	2000	± 0,9	150	2	90050	375	4305	2305	39,88	762
W-00-04000/02000-013-LL-E-L-AAB0A			± 1,3		3		480			26,59	928
W-00-04000/02000-006-LL-E-L-AAB0A			± 0,6		1		270			38,61	614
W-00-04000/02000-011-LL-E-L-AAB0A	4000	2000	± 1,1	200	2	93112	375	4405	2405	19,30	799
W-00-04000/02000-017-LL-E-L-AAB0A			± 1,7		3		480			12,87	983
W-00-04000/04000-004-LL-E-L-AAB0A			± 0,4		1		270			125	755
W-00-04000/04000-009-LL-E-L-AAB0A	4000	4000	± 0,9	150	2	173400	375	4305	4305	62,46	962
W-00-04000/04000-013-LL-E-L-AAB0A			± 1,3		3		480			41,64	1168
W-00-04000/04000-006-LL-E-L-AAB0A			± 0,6		1		270			60,06	778

Angular, rectangular metallic expansion joint

Compensator Properties	Design Temperature	≤ 300 °C
	Design Pressure	100 mbar
	Bellow Material	1.0330
	Corner Type	Double Miter
	Connection	Angle Flange
	Connection Material	1.0038
	Profile WH 80mm	L60x6
Profile WH 150/200mm	L80x8	
Sleeve Material	1.0038	
Thickness WH 80mm	3 mm	
Thickness WH 150/200mm	5 mm	
Cycles	≥ 1000	



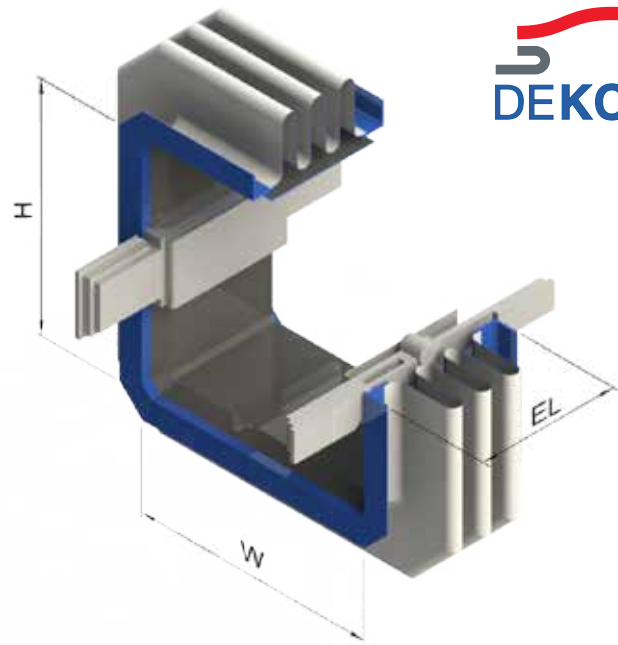
1 convolution



2 convolutions



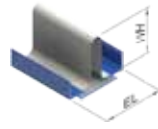
3 convolutions



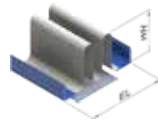
DEKOMTE Article Number	Clear Opening		Maximum Movement	Convolution Height WH	Number of Convolutions	Effective Area	Installation Length EL	Overall Dimension		Angular Adjustment Force	Weight
	Width W	Height H						Width	Height H		
	[mm]	[mm]						[mm]	[mm]		
W-00-04000/04000-011-LL-E-L-AAB0A	4000	4000	± 1,1	200	2	177462	375	4405	4405	30,03	1009
W-00-04000/04000-017-LL-E-L-AAB0A			± 1,7		3		480			20,02	1239
W-00-04000/08000-004-LL-E-L-AAB0A	4000	8000	± 0,4	150	1	340100	270	4305	8305	215	1073
W-00-04000/08000-009-LL-E-L-AAB0A			± 0,9		2		375			108	1361
W-00-04000/08000-013-LL-E-L-AAB0A			± 1,3		3		480			71,74	1649
W-00-04000/08000-006-LL-E-L-AAB0A	4000	8000	± 0,6	200	1	346162	270	4405	8405	103	1107
W-00-04000/08000-011-LL-E-L-AAB0A			± 1,1		2		375			51,48	1430
W-00-04000/08000-017-LL-E-L-AAB0A			± 1,7		3		480			34,32	1752
W-00-04400/02200-004-LL-E-L-AAB0A	4400	2200	± 0,4	150	1	107855	270	4705	2505	105	643
W-00-04400/02200-008-LL-E-L-AAB0A			± 0,8		2		375			52,46	822
W-00-04400/02200-012-LL-E-L-AAB0A			± 1,2		3		480			34,98	1000
W-00-04400/02200-005-LL-E-L-AAB0A	4400	2200	± 0,5	200	1	111217	270	4805	2605	50,60	663
W-00-04400/02200-010-LL-E-L-AAB0A			± 1,0		2		375			25,30	862
W-00-04400/02200-016-LL-E-L-AAB0A			± 1,6		3		480			16,87	1060
W-00-04500/04500-004-LL-E-L-AAB0A	4500	4500	± 0,4	150	1	217575	270	4805	4805	176	834
W-00-04500/04500-008-LL-E-L-AAB0A			± 0,8		2		375			87,86	1062
W-00-04500/04500-011-LL-E-L-AAB0A			± 1,1		3		480			58,57	1289
W-00-04500/04500-005-LL-E-L-AAB0A	4500	4500	± 0,5	200	1	222137	270	4905	4905	84,16	861
W-00-04500/04500-010-LL-E-L-AAB0A			± 1,0		2		375			42,08	1114
W-00-04500/04500-015-LL-E-L-AAB0A			± 1,5		3		480			28,05	1367
W-00-04500/09000-004-LL-E-L-AAB0A	4500	9000	± 0,4	150	1	427613	270	4805	9305	303	1192
W-00-04500/09000-008-LL-E-L-AAB0A			± 0,8		2		375			152	1511
W-00-04500/09000-011-LL-E-L-AAB0A			± 1,1		3		480			101	1829
W-00-04500/09000-005-LL-E-L-AAB0A	4500	9000	± 0,5	200	1	434425	270	4905	9405	145	1231
W-00-04500/09000-010-LL-E-L-AAB0A			± 1,0		2		375			72,30	1588
W-00-04500/09000-015-LL-E-L-AAB0A			± 1,5		3		480			48,20	1944
W-00-04800/02400-004-LL-E-L-AAB0A	4800	2400	± 0,4	150	1	127260	270	5105	2705	135	691
W-00-04800/02400-007-LL-E-L-AAB0A			± 0,7		2		375			67,45	882
W-00-04800/02400-011-LL-E-L-AAB0A			± 1,1		3		480			44,96	1072
W-00-04800/02400-005-LL-E-L-AAB0A	4800	2400	± 0,5	200	1	130922	270	5205	2805	64,85	713

Angular, rectangular metallic expansion joint

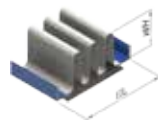
Compensator Properties	Design Temperature	≤ 300 °C
	Design Pressure	100 mbar
	Bellow Material	1.0330
	Corner Type	Double Miter
	Connection	Angle Flange
	Connection Material	1.0038
	Profile WH 80mm	L60x6
Profile WH 150/200mm	L80x8	
Sleeve Material	1.0038	
Thickness WH 80mm	3 mm	
Thickness WH 150/200mm	5 mm	
Cycles	≥ 1000	



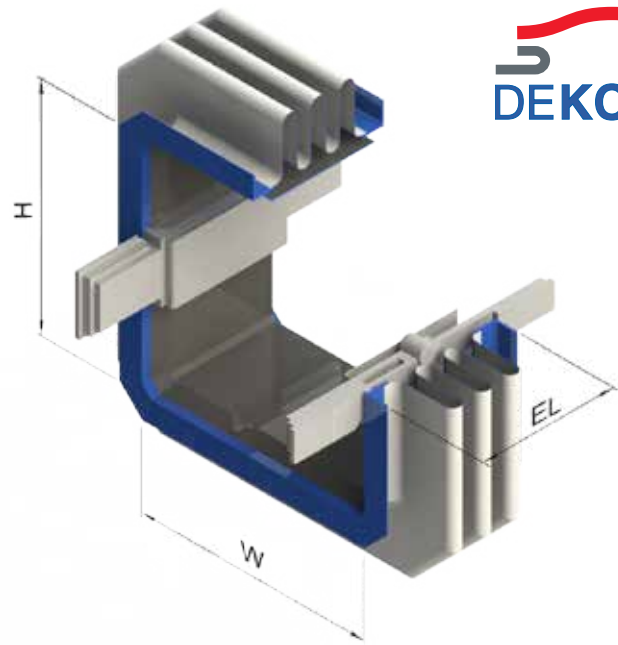
1 convolution



2 convolutions



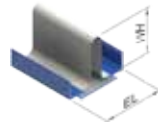
3 convolutions



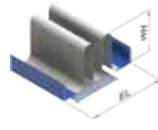
DEKOMTE Article Number	Clear Opening		Maximum Movement	Convolution Height WH	Number of Convolutions	Effective Area	Installation Length EL	Overall Dimension		Angular Adjustment Force	Weight
	Width W	Height H						Width	Height H		
	[mm]	[mm]						[mm]	[mm]		
W-00-04800/02400-010-LL-E-L-AAB0A	4800	2400	± 1,0	200	2	130922	375	5205	2805	32,42	925
W-00-04800/02400-014-LL-E-L-AAB0A			± 1,4		3		480			21,62	1137
W-00-05000/05000-003-LL-E-L-AAB0A	5000	5000	± 0,3	150	1	266750	270	5305	5305	239	914
W-00-05000/05000-007-LL-E-L-AAB0A			± 0,7		2		375			119	1161
W-00-05000/05000-010-LL-E-L-AAB0A			± 1,0		3		480			79,57	1409
W-00-05000/05000-005-LL-E-L-AAB0A	5000	5000	± 0,5	200	1	271812	270	5405	5405	114	943
W-00-05000/05000-009-LL-E-L-AAB0A			± 0,9		2		375			56,99	1219
W-00-05000/05000-014-LL-E-L-AAB0A			± 1,4		3		480			37,99	1496
W-00-05000/10000-003-LL-E-L-AAB0A	5000	10000	± 0,3	150	1	525125	270	5305	10305	413	1311
W-00-05000/10000-007-LL-E-L-AAB0A			± 0,7		2		375			206	1660
W-00-05000/10000-010-LL-E-L-AAB0A			± 1,0		3		480			138	2009
W-00-05000/10000-005-LL-E-L-AAB0A	5000	10000	± 0,5	200	1	532687	270	5405	10405	196	1354
W-00-05000/10000-009-LL-E-L-AAB0A			± 0,9		2		375			98,09	1745
W-00-05000/10000-014-LL-E-L-AAB0A			± 1,4		3		480			65,39	2137
W-00-05200/02600-003-LL-E-L-AAB0A	5200	2600	± 0,3	150	1	148265	270	5505	2905	170	739
W-00-05200/02600-007-LL-E-L-AAB0A			± 0,7		2		375			85,04	942
W-00-05200/02600-010-LL-E-L-AAB0A			± 1,0		3		480			56,69	1144
W-00-05200/02600-004-LL-E-L-AAB0A	5200	2600	± 0,4	200	1	152227	270	5605	3005	81,55	762
W-00-05200/02600-009-LL-E-L-AAB0A			± 0,9		2		375			40,77	988
W-00-05200/02600-013-LL-E-L-AAB0A			± 1,3		3		480			27,18	1214
W-00-05500/05500-003-LL-E-L-AAB0A	5500	5500	± 0,3	150	1	320925	270	5805	5805	315	993
W-00-05500/05500-006-LL-E-L-AAB0A			± 0,6		2		375			158	1261
W-00-05500/05500-009-LL-E-L-AAB0A			± 0,9		3		480			105	1529
W-00-05500/05500-004-LL-E-L-AAB0A	5500	5500	± 0,4	200	1	326487	270	5905	5905	150	1025
W-00-05500/05500-008-LL-E-L-AAB0A			± 0,8		2		375			75,06	1325
W-00-05500/05500-012-LL-E-L-AAB0A			± 1,2		3		480			50,04	1624
W-00-05500/11000-003-LL-E-L-AAB0A	5500	11000	± 0,3	150	1	632638	270	5805	11305	545	1431
W-00-05500/11000-006-LL-E-L-AAB0A			± 0,6		2		375			273	1810
W-00-05500/11000-009-LL-E-L-AAB0A			± 0,9		3		480			182	2189
W-00-05500/11000-004-LL-E-L-AAB0A	5500	11000	± 0,4	200	1	640950	270	5905	11405	259	1477

Angular, rectangular metallic expansion joint

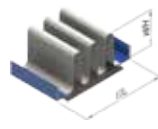
Compensator Properties	Design Temperature	≤ 300 °C
	Design Pressure	100 mbar
	Bellow Material	1.0330
	Corner Type	Double Miter
	Connection	Angle Flange
	Connection Material	1.0038
	Profile WH 80mm	L60x6
Profile WH 150/200mm	L80x8	
Sleeve Material	1.0038	
Thickness WH 80mm	3 mm	
Thickness WH 150/200mm	5 mm	
Cycles	≥ 1000	



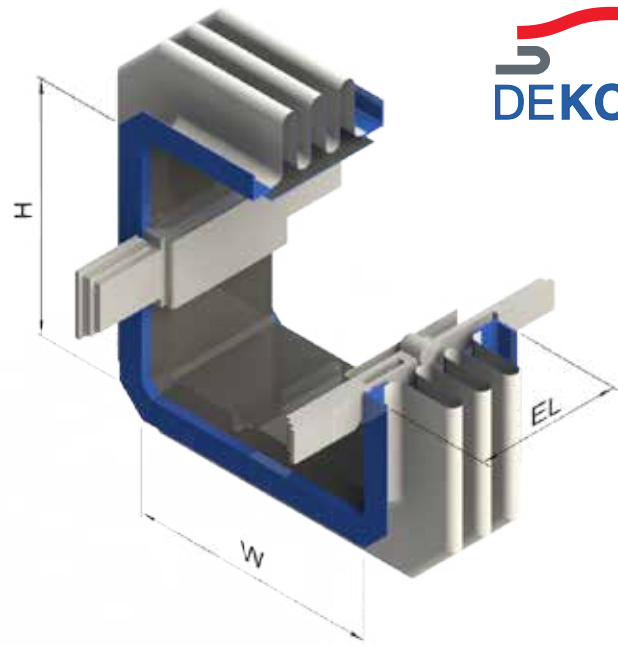
1 convolution



2 convolutions



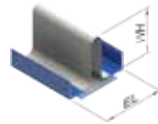
3 convolutions



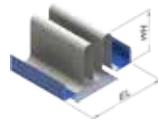
DEKOMTE Article Number	Clear Opening		Maximum Movement	Convolution Height WH	Number of Convolutions	Effective Area	Installation Length EL	Overall Dimension		Angular Adjustment Force	Weight
	Width W	Height H						Width	Height H		
	[mm]	[mm]						[mm]	[mm]		
W-00-05500/11000-008-LL-E-L-AAB0A	5500	11000	± 0,8	200	2	640950	375	5905	11405	129	1903
W-00-05500/11000-012-LL-E-L-AAB0A			± 1,2		3		480			86,25	2329
W-00-05600/02800-003-LL-E-L-AAB0A	5600	2800	± 0,3	150	1	170870	270	5905	3105	211	787
W-00-05600/02800-006-LL-E-L-AAB0A			± 0,6		2		375			105	1002
W-00-05600/02800-009-LL-E-L-AAB0A			± 0,9		3		480			70,30	1217
W-00-05600/02800-004-LL-E-L-AAB0A	5600	2800	± 0,4	200	1	175132	270	6005	3205	101	811
W-00-05600/02800-008-LL-E-L-AAB0A			± 0,8		2		375			50,45	1051
W-00-05600/02800-012-LL-E-L-AAB0A			± 1,2		3		480			33,63	1291
W-00-06000/03000-003-LL-E-L-AAB0A	6000	3000	± 0,3	150	1	195075	270	6305	3305	258	834
W-00-06000/03000-006-LL-E-L-AAB0A			± 0,6		2		375			129	1062
W-00-06000/03000-009-LL-E-L-AAB0A			± 0,9		3		480			85,93	1289
W-00-06000/03000-004-LL-E-L-AAB0A	6000	3000	± 0,4	200	1	199637	270	6405	3405	123	861
W-00-06000/03000-008-LL-E-L-AAB0A			± 0,8		2		375			61,54	1114
W-00-06000/03000-011-LL-E-L-AAB0A			± 1,1		3		480			41,03	1367
W-00-06000/06000-003-LL-E-L-AAB0A	6000	6000	± 0,3	150	1	380100	270	6305	6305	407	1073
W-00-06000/06000-006-LL-E-L-AAB0A			± 0,6		2		375			203	1361
W-00-06000/06000-009-LL-E-L-AAB0A			± 0,9		3		480			136	1649
W-00-06000/06000-004-LL-E-L-AAB0A	6000	6000	± 0,4	200	1	386162	270	6405	6405	193	1107
W-00-06000/06000-008-LL-E-L-AAB0A			± 0,8		2		375			96,60	1430
W-00-06000/06000-011-LL-E-L-AAB0A			± 1,1		3		480			64,40	1752
W-00-06000/12000-003-LL-E-L-AAB0A	6000	12000	± 0,3	150	1	750150	270	6305	12305	704	1550
W-00-06000/12000-006-LL-E-L-AAB0A			± 0,6		2		375			352	1960
W-00-06000/12000-009-LL-E-L-AAB0A			± 0,9		3		480			235	2370
W-00-06000/12000-004-LL-E-L-AAB0A	6000	12000	± 0,4	200	1	759212	270	6405	12405	333	1601
W-00-06000/12000-008-LL-E-L-AAB0A			± 0,8		2		375			167	2061
W-00-06000/12000-011-LL-E-L-AAB0A			± 1,1		3		480			111	2521
W-00-06500/06500-003-LL-E-L-AAB0A	6500	6500	± 0,3	150	1	444275	270	6805	6805	514	1152
W-00-06500/06500-005-LL-E-L-AAB0A			± 0,5		2		375			257	1461
W-00-06500/06500-008-LL-E-L-AAB0A			± 0,8		3		480			171	1769
W-00-06500/06500-004-LL-E-L-AAB0A	6500	6500	± 0,4	200	1	450837	270	6905	6905	244	1189

Angular, rectangular metallic expansion joint

Compensator Properties	Design Temperature	≤ 300 °C
	Design Pressure	100 mbar
	Bellow Material	1.0330
	Corner Type	Double Miter
	Connection	Angle Flange
	Connection Material	1.0038
	Profile WH 80mm	L60x6
Profile WH 150/200mm	L80x8	
Sleeve Material	1.0038	
Thickness WH 80mm	3 mm	
Thickness WH 150/200mm	5 mm	
Cycles	≥ 1000	



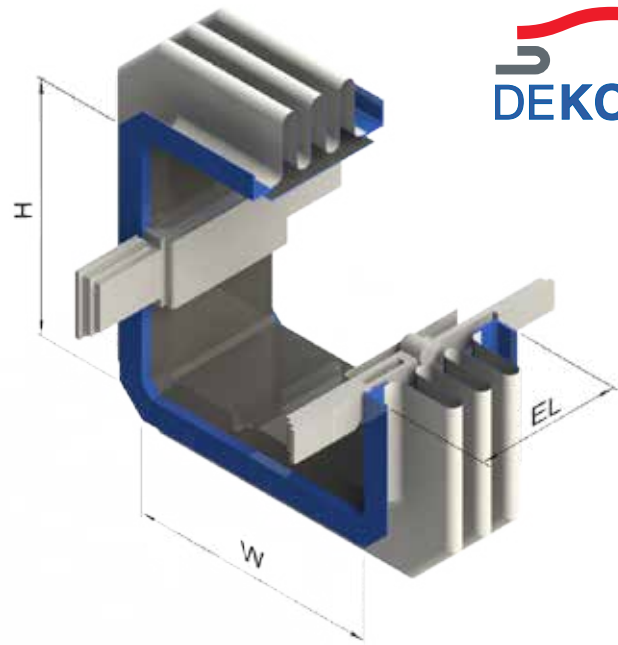
1 convolution



2 convolutions



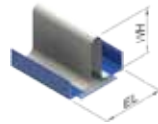
3 convolutions



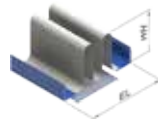
DEKOMTE Article Number	Clear Opening		Maximum Movement	Convolution Height WH	Number of Convolutions	Effective Area	Installation Length EL	Overall Dimension		Angular Adjustment Force	Weight
	Width W	Height H						Width	Height H		
	[mm]	[mm]						[mm]	[mm]		
W-00-06500/06500-007-LL-E-L-AAB0A	6500	6500	± 0,7	200	2	450837	375	6905	6905	122	1535
W-00-06500/06500-011-LL-E-L-AAB0A			± 1,1		3		480			81,27	1880
W-00-06500/13000-003-LL-E-L-AAB0A	6500	13000	± 0,3	150	1	877663	270	6805	13305	891	1669
W-00-06500/13000-005-LL-E-L-AAB0A			± 0,5		2		375			445	2110
W-00-06500/13000-008-LL-E-L-AAB0A			± 0,8		3		480			297	2550
W-00-06500/13000-004-LL-E-L-AAB0A	6500	13000	± 0,4	200	1	887475	270	6905	13405	421	1724
W-00-06500/13000-007-LL-E-L-AAB0A			± 0,7		2		375			211	2219
W-00-06500/13000-011-LL-E-L-AAB0A			± 1,1		3		480			140	2713
W-00-07000/03500-002-LL-E-L-AAB0A	7000	3500	± 0,2	150	1	262588	270	7305	3805	404	954
W-00-07000/03500-005-LL-E-L-AAB0A			± 0,5		2		375			202	1211
W-00-07000/03500-003-LL-E-L-AAB0A	7000	3500	± 0,3	200	1	267900	270	7405	3905	192	984
W-00-07000/03500-007-LL-E-L-AAB0A			± 0,7		2		375			96,13	1272
W-00-07000/03500-010-LL-E-L-AAB0A			± 1,0		3		480			64,08	1560
W-00-07000/07000-002-LL-E-L-AAB0A	7000	7000	± 0,2	150	1	513450	270	7305	7305	639	1232
W-00-07000/07000-005-LL-E-L-AAB0A			± 0,5		2		375			319	1561
W-00-07000/07000-003-LL-E-L-AAB0A	7000	7000	± 0,3	200	1	520512	270	7405	7405	303	1272
W-00-07000/07000-007-LL-E-L-AAB0A			± 0,7		2		375			151	1640
W-00-07000/07000-010-LL-E-L-AAB0A			± 1,0		3		480			101	2008
W-00-07000/14000-002-LL-E-L-AAB0A	7000	14000	± 0,2	150	1	1015175	270	7305	14305	1108	1789
W-00-07000/14000-005-LL-E-L-AAB0A			± 0,5		2		375			554	2259
W-00-07000/14000-003-LL-E-L-AAB0A	7000	14000	± 0,3	200	1	1025737	270	7405	14405	523	1847
W-00-07000/14000-007-LL-E-L-AAB0A			± 0,7		2		375			262	2377
W-00-07000/14000-010-LL-E-L-AAB0A			± 1,0		3		480			174	2906
W-00-07500/07500-002-LL-E-L-AAB0A	7500	7500	± 0,2	150	1	587625	270	7805	7805	782	1311
W-00-07500/07500-005-LL-E-L-AAB0A			± 0,5		2		375			391	1660
W-00-07500/07500-007-LL-E-L-AAB0A			± 0,7		3		480			261	2009
W-00-07500/07500-003-LL-E-L-AAB0A	7500	7500	± 0,3	200	1	595187	270	7905	7905	370	1354
W-00-07500/07500-006-LL-E-L-AAB0A			± 0,6		2		375			185	1745
W-00-07500/07500-009-LL-E-L-AAB0A			± 0,9		3		480			123	2137
W-00-07500/15000-002-LL-E-L-AAB0A	7500	15000	± 0,2	150	1	1162688	270	7805	15305	1358	1908

Angular, rectangular metallic expansion joint

Compensator Properties	Design Temperature	≤ 300 °C
	Design Pressure	100 mbar
	Bellow Material	1.0330
	Corner Type	Double Miter
	Connection	Angle Flange
	Connection Material	1.0038
	Profile WH 80mm	L60x6
Profile WH 150/200mm	L80x8	
Sleeve Material	1.0038	
Thickness WH 80mm	3 mm	
Thickness WH 150/200mm	5 mm	
Cycles	≥ 1000	



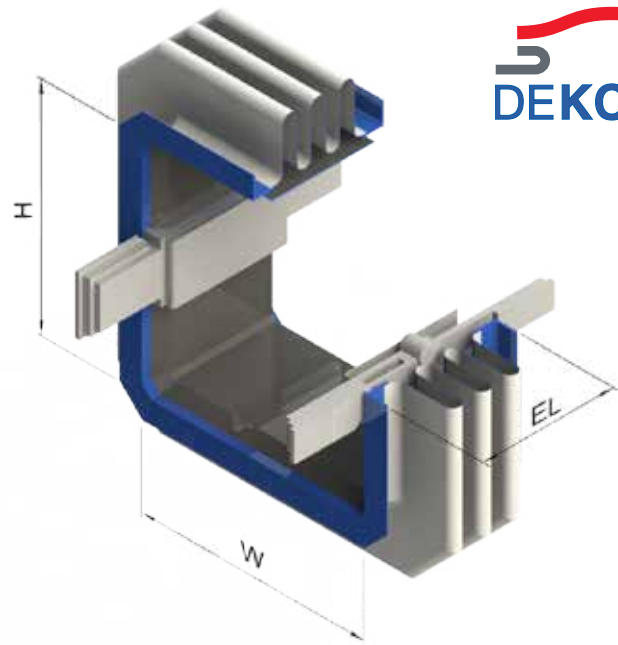
1 convolution



2 convolutions



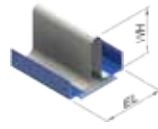
3 convolutions



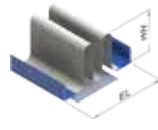
DEKOMTE Article Number	Clear Opening		Maximum Movement	Convolution Height WH	Number of Convolutions	Effective Area	Installation Length EL	Overall Dimension		Angular Adjustment Force	Weight
	Width W	Height H						Width	Height H		
	[mm]	[mm]						[mm]	[mm]		
W-00-07500/15000-005-LL-E-L-AAB0A	7500	15000	± 0,5	150	2	1162688	375	7805	15305	679	2409
W-00-07500/15000-007-LL-E-L-AAB0A			± 0,7		3		480			453	2910
W-00-07500/15000-003-LL-E-L-AAB0A	7500	15000	± 0,3	200	1	1174000	270	7905	15405	640	1970
W-00-07500/15000-006-LL-E-L-AAB0A			± 0,6		2		375			320	2534
W-00-07500/15000-009-LL-E-L-AAB0A			± 0,9		3		480			213	3098
W-00-08000/04000-002-LL-E-L-AAB0A	8000	4000	± 0,2	150	1	340100	270	8305	4305	598	1073
W-00-08000/04000-004-LL-E-L-AAB0A			± 0,4		2		375			299	1361
W-00-08000/04000-003-LL-E-L-AAB0A	8000	4000	± 0,3	200	1	346162	270	8405	4405	283	1107
W-00-08000/04000-006-LL-E-L-AAB0A			± 0,6		2		375			142	1430
W-00-08000/04000-009-LL-E-L-AAB0A			± 0,9		3		480			94,48	1752
W-00-08000/08000-002-LL-E-L-AAB0A	8000	8000	± 0,2	150	1	666800	270	8305	8305	946	1391
W-00-08000/08000-004-LL-E-L-AAB0A			± 0,4		2		375			473	1760
W-00-08000/08000-003-LL-E-L-AAB0A	8000	8000	± 0,3	200	1	674862	270	8405	8405	447	1436
W-00-08000/08000-006-LL-E-L-AAB0A			± 0,6		2		375			223	1851
W-00-08000/08000-009-LL-E-L-AAB0A			± 0,9		3		480			149	2265
W-00-08000/16000-002-LL-E-L-AAB0A	8000	16000	± 0,2	150	1	1320200	270	8305	16305	1643	2027
W-00-08000/16000-004-LL-E-L-AAB0A			± 0,4		2		375			821	2559
W-00-08000/16000-003-LL-E-L-AAB0A	8000	16000	± 0,3	200	1	1332262	270	8405	16405	774	2094
W-00-08000/16000-006-LL-E-L-AAB0A			± 0,6		2		375			387	2692
W-00-08000/16000-009-LL-E-L-AAB0A			± 0,9		3		480			258	3290
W-00-08500/08500-002-LL-E-L-AAB0A	8500	8500	± 0,2	150	1	750975	270	8805	8805	1131	1470
W-00-08500/08500-004-LL-E-L-AAB0A			± 0,4		2		375			566	1860
W-00-08500/08500-006-LL-E-L-AAB0A			± 0,6		3		480			377	2250
W-00-08500/08500-003-LL-E-L-AAB0A	8500	8500	± 0,3	200	1	759537	270	8905	8905	534	1518
W-00-08500/08500-005-LL-E-L-AAB0A			± 0,5		2		375			267	1956
W-00-08500/08500-008-LL-E-L-AAB0A			± 0,8		3		480			178	2393
W-00-08500/17000-002-LL-E-L-AAB0A	8500	17000	± 0,2	150	1	1487713	270	8805	17305	1965	2146
W-00-08500/17000-004-LL-E-L-AAB0A			± 0,4		2		375			982	2709
W-00-08500/17000-006-LL-E-L-AAB0A			± 0,6		3		480			655	3271
W-00-08500/17000-003-LL-E-L-AAB0A	8500	17000	± 0,3	200	1	1500525	270	8905	17405	925	2217

Angular, rectangular metallic expansion joint

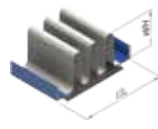
Compensator Properties	Design Temperature	≤ 300 °C
	Design Pressure	100 mbar
	Bellow Material	1.0330
	Corner Type	Double Miter
	Connection	Angle Flange
	Connection Material	1.0038
	Profile WH 80mm	L60x6
Profile WH 150/200mm	L80x8	
Sleeve Material	1.0038	
Thickness WH 80mm	3 mm	
Thickness WH 150/200mm	5 mm	
Cycles	≥ 1000	



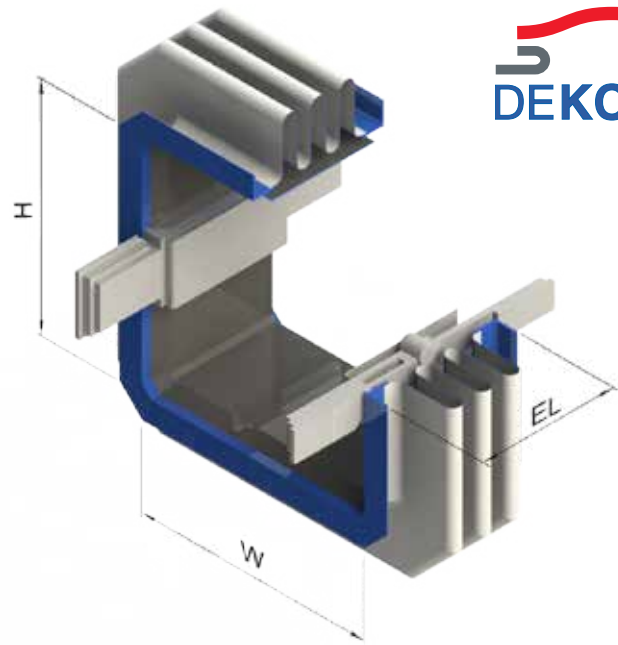
1 convolution



2 convolutions



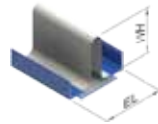
3 convolutions



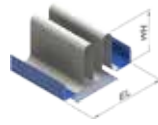
DEKOMTE Article Number	Clear Opening		Maximum Movement	Convolution Height WH	Number of Convolutions	Effective Area	Installation Length EL	Overall Dimension		Angular Adjustment Force	Weight
	Width W	Height H						Width	Height H		
	[mm]	[mm]						[mm]	[mm]		
W-00-08500/17000-005-LL-E-L-AAB0A	8500	17000	± 0,5	200	2	1500525	375	8905	17405	462	2850
W-00-08500/17000-008-LL-E-L-AAB0A			± 0,8		3		480			308	3482
W-00-09000/04500-002-LL-E-L-AAB0A	9000	4500	± 0,2	150	1	427613	270	9305	4805	845	1192
W-00-09000/04500-004-LL-E-L-AAB0A			± 0,4		2		375			423	1511
W-00-09000/04500-006-LL-E-L-AAB0A			± 0,6		3		480			282	1829
W-00-09000/04500-003-LL-E-L-AAB0A	9000	4500	± 0,3	200	1	434425	270	9405	4905	400	1231
W-00-09000/04500-005-LL-E-L-AAB0A			± 0,5		2		375			200	1588
W-00-09000/04500-008-LL-E-L-AAB0A			± 0,8		3		480			133	1944
W-00-09000/09000-002-LL-E-L-AAB0A	9000	9000	± 0,2	150	1	840150	270	9305	9305	1339	1550
W-00-09000/09000-004-LL-E-L-AAB0A			± 0,4		2		375			669	1960
W-00-09000/09000-006-LL-E-L-AAB0A			± 0,6		3		480			446	2370
W-00-09000/09000-003-LL-E-L-AAB0A	9000	9000	± 0,3	200	1	849212	270	9405	9405	631	1601
W-00-09000/09000-005-LL-E-L-AAB0A			± 0,5		2		375			316	2061
W-00-09000/09000-008-LL-E-L-AAB0A			± 0,8		3		480			210	2521
W-00-09000/18000-002-LL-E-L-AAB0A	9000	18000	± 0,2	150	1	1665225	270	9305	18305	2327	2266
W-00-09000/18000-004-LL-E-L-AAB0A			± 0,4		2		375			1163	2858
W-00-09000/18000-006-LL-E-L-AAB0A			± 0,6		3		480			776	3451
W-00-09000/18000-003-LL-E-L-AAB0A	9000	18000	± 0,3	200	1	1678787	270	9405	18405	1094	2340
W-00-09000/18000-005-LL-E-L-AAB0A			± 0,5		2		375			547	3008
W-00-09000/18000-008-LL-E-L-AAB0A			± 0,8		3		480			365	3675
W-00-09500/09500-002-LL-E-L-AAB0A	9500	9500	± 0,2	150	1	934325	270	9805	9805	1571	1630
W-00-09500/09500-004-LL-E-L-AAB0A			± 0,4		2		375			785	2060
W-00-09500/09500-005-LL-E-L-AAB0A	9500	9500	± 0,5	200	2	943887	375	9905	9905	370	2166
W-00-09500/09500-007-LL-E-L-AAB0A			± 0,7		3		480			247	2649
W-00-09500/19000-002-LL-E-L-AAB0A	9500	19000	± 0,2	150	1	1852738	270	9805	19305	2730	2385
W-00-09500/19000-004-LL-E-L-AAB0A			± 0,4		2		375			1365	3008
W-00-09500/19000-005-LL-E-L-AAB0A	9500	19000	± 0,5	200	2	1867050	375	9905	19405	642	3165
W-00-09500/19000-007-LL-E-L-AAB0A			± 0,7		3		480			428	3867
W-00-10000/05000-002-LL-E-L-AAB0A	10000	5000	± 0,2	150	1	525125	270	10305	5305	1152	1311
W-00-10000/05000-003-LL-E-L-AAB0A			± 0,3		2		375			576	1660

Angular, rectangular metallic expansion joint

Compensator Properties	Design Temperature	≤ 300 °C
	Design Pressure	100 mbar
	Bellow Material	1.0330
	Corner Type	Double Miter
	Connection	Angle Flange
	Connection Material	1.0038
	Profile WH 80mm	L60x6
Profile WH 150/200mm	L80x8	
Sleeve Material	1.0038	
Thickness WH 80mm	3 mm	
Thickness WH 150/200mm	5 mm	
Cycles	≥ 1000	



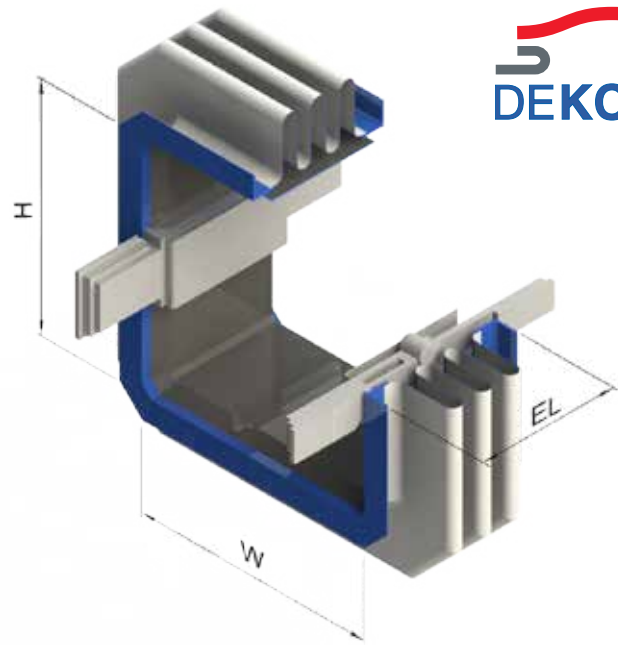
1 convolution



2 convolutions



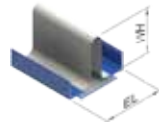
3 convolutions



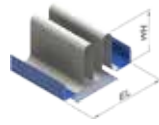
DEKOMTE Article Number	Clear Opening		Maximum Movement	Convolution Height WH	Number of Convolutions	Effective Area	Installation Length EL	Overall Dimension		Angular Adjustment Force	Weight
	Width W	Height H						Width	Height H		
	[mm]	[mm]						[mm]	[mm]		
W-00-10000/05000-005-LL-E-L-AAB0A	10000	5000	± 0,5	200	2	532687	375	10405	5405	272	1745
W-00-10000/05000-007-LL-E-L-AAB0A			± 0,7		3		480			181	2137
W-00-10000/10000-002-LL-E-L-AAB0A	10000	10000	± 0,2	150	1	1033500	270	10305	10305	1828	1709
W-00-10000/10000-003-LL-E-L-AAB0A			± 0,3		2		375			914	2160
W-00-10000/10000-005-LL-E-L-AAB0A	10000	10000	± 0,5	200	2	1043562	375	10405	10405	430	2271
W-00-10000/10000-007-LL-E-L-AAB0A			± 0,7		3		480			287	2777
W-00-10000/20000-002-LL-E-L-AAB0A	10000	20000	± 0,2	150	1	2050250	270	10305	20305	3178	2504
W-00-10000/20000-003-LL-E-L-AAB0A			± 0,3		2		375			1589	3158
W-00-10000/20000-005-LL-E-L-AAB0A	10000	20000	± 0,5	200	2	2065312	375	10405	20405	746	3323
W-00-10000/20000-007-LL-E-L-AAB0A			± 0,7		3		480			498	4059
W-00-11000/05500-002-LL-E-L-AAB0A	11000	5500	± 0,2	150	1	632638	270	11305	5805	1526	1431
W-00-11000/05500-003-LL-E-L-AAB0A			± 0,3		2		375			763	1810
W-00-11000/05500-005-LL-E-L-AAB0A			± 0,5		3		480			509	2189
W-00-11000/05500-004-LL-E-L-AAB0A	11000	5500	± 0,4	200	2	640950	375	11405	5905	360	1903
W-00-11000/05500-006-LL-E-L-AAB0A			± 0,6		3		480			240	2329
W-00-12000/06000-001-LL-E-L-AAB0A	12000	6000	± 0,1	150	1	750150	270	12305	6305	1974	1550
W-00-12000/06000-003-LL-E-L-AAB0A			± 0,3		2		375			987	1960
W-00-12000/06000-002-LL-E-L-AAB0A	12000	6000	± 0,2	200	1	759212	270	12405	6405	929	1601
W-00-12000/06000-004-LL-E-L-AAB0A			± 0,4		2		375			465	2061
W-00-12000/06000-006-LL-E-L-AAB0A			± 0,6		3		480			310	2521
W-00-13000/06500-001-LL-E-L-AAB0A	13000	6500	± 0,1	150	1	877663	270	13305	6805	2501	1669
W-00-13000/06500-003-LL-E-L-AAB0A			± 0,3		2		375			1250	2110
W-00-13000/06500-002-LL-E-L-AAB0A	13000	6500	± 0,2	200	1	887475	270	13405	6905	1176	1724
W-00-13000/06500-004-LL-E-L-AAB0A			± 0,4		2		375			588	2219
W-00-13000/06500-005-LL-E-L-AAB0A			± 0,5		3		480			392	2713
W-00-14000/07000-001-LL-E-L-AAB0A	14000	7000	± 0,1	150	1	1015175	270	14305	7305	3114	1789
W-00-14000/07000-004-LL-E-L-AAB0A			± 0,4		3		480			1038	2730
W-00-14000/07000-002-LL-E-L-AAB0A	14000	7000	± 0,2	200	1	1025737	270	14405	7405	1463	1847
W-00-14000/07000-003-LL-E-L-AAB0A			± 0,3		2		375			731	2377
W-00-14000/07000-005-LL-E-L-AAB0A			± 0,5		3		480			488	2906

Angular, rectangular metallic expansion joint

Compensator Properties	Design Temperature	≤ 300 °C
	Design Pressure	100 mbar
	Bellow Material	1.0330
	Corner Type	Double Miter
	Connection	Angle Flange
	Connection Material	1.0038
	Profile WH 80mm	L60x6
Profile WH 150/200mm	L80x8	
Sleeve Material	1.0038	
Thickness WH 80mm	3 mm	
Thickness WH 150/200mm	5 mm	
Cycles	≥ 1000	



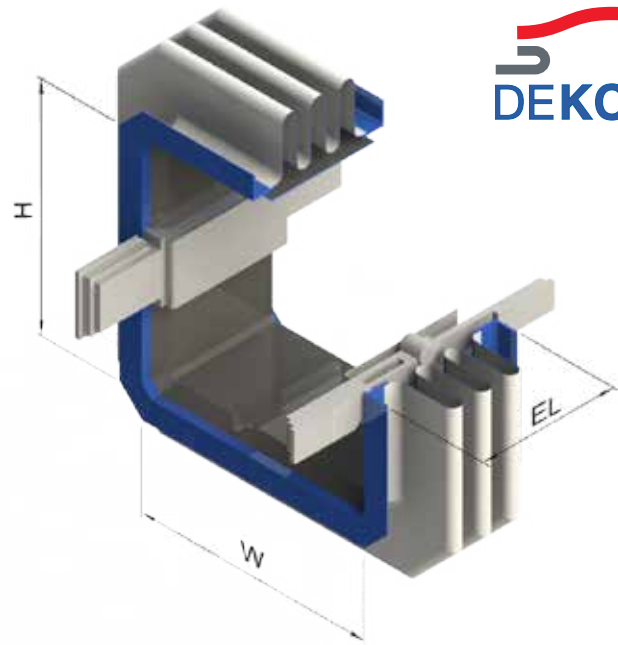
1 convolution



2 convolutions



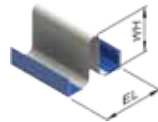
3 convolutions



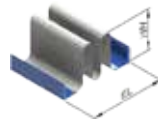
DEKOMTE Article Number	Clear Opening		Maximum Movement	Convolution Height WH	Number of Convolutions	Effective Area	Installation Length EL	Overall Dimension		Angular Adjustment Force	Weight
	Width W	Height H						Width	Height H		
	[mm]	[mm]						[mm]	[mm]		
W-00-15000/07500-001-LL-E-L-AAB0A	15000	7500	± 0,1	150	1	1162688	270	15305	7805	3821	1908
W-00-15000/07500-002-LL-E-L-AAB0A	15000	7500	± 0,2	200	1	1174000	270	15405	7905	1793	1970
W-00-15000/07500-003-LL-E-L-AAB0A			± 0,3		2		375			897	2534
W-00-15000/07500-005-LL-E-L-AAB0A			± 0,5		3		480			598	3098
W-00-16000/08000-001-LL-E-L-AAB0A	16000	8000	± 0,1	150	1	1320200	270	16305	8305	4627	2027
W-00-16000/08000-002-LL-E-L-AAB0A			± 0,2		2		375			2313	2559
W-00-16000/08000-003-LL-E-L-AAB0A	16000	8000	± 0,3	200	2	1332262	375	16405	8405	1085	2692
W-00-16000/08000-004-LL-E-L-AAB0A			± 0,4		3		480			723	3290
W-00-17000/08500-001-LL-E-L-AAB0A	17000	8500	± 0,1	150	1	1487713	270	17305	8805	5539	2146
W-00-17000/08500-002-LL-E-L-AAB0A			± 0,2		2		375			2769	2709
W-00-17000/08500-003-LL-E-L-AAB0A	17000	8500	± 0,3	200	2	1500525	375	17405	8905	1298	2850
W-00-17000/08500-004-LL-E-L-AAB0A			± 0,4		3		480			865	3482
W-00-18000/09000-001-LL-E-L-AAB0A	18000	9000	± 0,1	150	1	1665225	270	18305	9305	6563	2266
W-00-18000/09000-002-LL-E-L-AAB0A			± 0,2		2		375			3282	2858
W-00-18000/09000-003-LL-E-L-AAB0A	18000	9000	± 0,3	200	2	1678787	375	18405	9405	1537	3008
W-00-18000/09000-004-LL-E-L-AAB0A			± 0,4		3		480			1025	3675
W-00-19000/09500-001-LL-E-L-AAB0A	19000	9500	± 0,1	150	1	1852738	270	19305	9805	7707	2385
W-00-19000/09500-002-LL-E-L-AAB0A			± 0,2		2		375			3854	3008
W-00-19000/09500-003-LL-E-L-AAB0A			± 0,3		3		480			2569	3631
W-00-19000/09500-004-LL-E-L-AAB0A	19000	9500	± 0,4	200	3	1867050	480	19405	9905	1203	3867
W-00-20000/10000-001-LL-E-L-AAB0A	20000	10000	± 0,1	150	1	2050250	270	20305	10305	8977	2504
W-00-20000/10000-002-LL-E-L-AAB0A			± 0,2		2		375			4488	3158
W-00-20000/10000-003-LL-E-L-AAB0A			± 0,3		3		480			2992	3811

Angular, rectangular metallic expansion joint

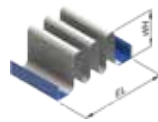
Compensator Properties	Design Temperature	≤ 530 °C
	Design Pressure	100 mbar
	Bellow Material	1.5415
	Corner Type	Double Miter
	Connection	Angle Flange
	Connection Material	1.5415
	Profile WH 80mm	L60x6
Profile WH 150/200mm	L80x8	
Cycles	≥ 1000	



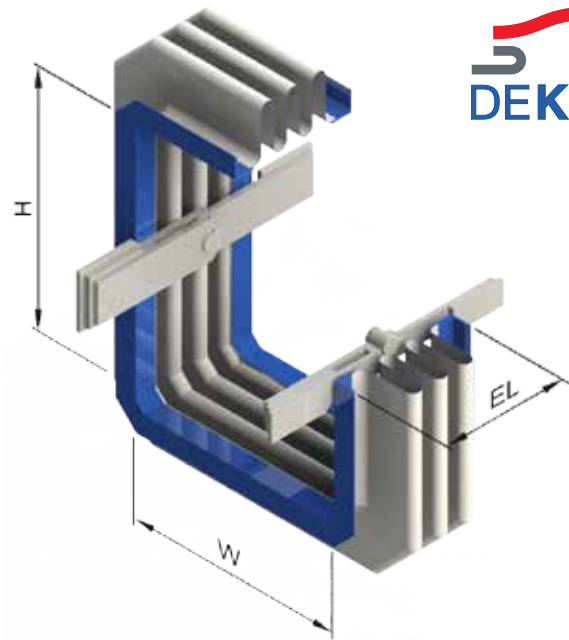
1 convolution



2 convolutions



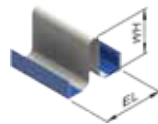
3 convolutions



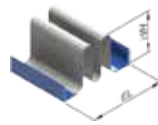
DEKOMTE Article Number	Clear Opening		Maximum Movement	Convolution Height WH	Number of Convolutions	Effective Area	Installation Length EL	Overall Dimension		Angular Adjustment Force	Weight
	Width W	Height H						Width	Height H		
	[mm]	[mm]						[mm]	[mm]		
W-00-00300/00300-019-LL-E-SSS0	300	300	± 1,9	80	1	1416	200	465	465	0,57	105
W-00-00300/00300-038-LL-E-SSS0			± 3,8		2		270			0,29	139
W-00-00300/00300-058-LL-E-SSS0			± 5,8		3		340			0,19	173
W-00-00300/00600-019-LL-E-SSS0	300	600	± 1,9	80	1	2597	200	465	765	0,92	116
W-00-00300/00600-038-LL-E-SSS0			± 3,8		2		270			0,46	152
W-00-00300/00600-058-LL-E-SSS0			± 5,8		3		340			0,31	188
W-00-00400/00400-015-LL-E-SSS0	400	400	± 1,5	80	1	2303	200	565	565	1,16	113
W-00-00400/00400-030-LL-E-SSS0			± 3,0		2		270			0,58	148
W-00-00400/00400-045-LL-E-SSS0			± 4,5		3		340			0,39	183
W-00-00400/00800-015-LL-E-SSS0	400	800	± 1,5	80	1	4277	200	565	965	1,88	127
W-00-00400/00800-030-LL-E-SSS0			± 3,0		2		270			0,94	165
W-00-00400/00800-045-LL-E-SSS0			± 4,5		3		340			0,63	203
W-00-00500/00500-012-LL-E-SSS0	500	500	± 1,2	80	1	3390	200	665	665	2,04	120
W-00-00500/00500-025-LL-E-SSS0			± 2,5		2		270			1,02	156
W-00-00500/00500-038-LL-E-SSS0			± 3,8		3		340			0,68	193
W-00-00500/00500-033-LL-E-SSS0	500	500	± 3,3	150	1	4175	270	805	805	0,48	178
W-00-00500/00500-066-LL-E-SSS0			± 6,6		2		375			0,24	234
W-00-00500/00500-099-LL-E-SSS0			± 9,9		3		480			0,16	290
W-00-00500/00500-044-LL-E-SSS0	500	500	± 4,4	200	1	4737	270	905	905	0,28	183
W-00-00500/00500-088-LL-E-SSS0			± 8,8		2		375			0,14	244
W-00-00500/00500-132-LL-E-SSS0			± 13,2		3		480			0,09	304
W-00-00500/01000-012-LL-E-SSS0	500	1000	± 1,2	80	1	6358	200	665	1165	3,37	138
W-00-00500/01000-025-LL-E-SSS0			± 2,5		2		270			1,68	178
W-00-00500/01000-038-LL-E-SSS0			± 3,8		3		340			1,12	218
W-00-00500/01000-033-LL-E-SSS0	500	1000	± 3,3	150	1	7513	270	805	1305	0,76	208
W-00-00500/01000-066-LL-E-SSS0			± 6,6		2		375			0,38	270
W-00-00500/01000-099-LL-E-SSS0			± 9,9		3		480			0,25	331
W-00-00500/01000-044-LL-E-SSS0	500	1000	± 4,4	200	1	8325	270	905	1405	0,43	215
W-00-00500/01000-088-LL-E-SSS0			± 8,8		2		375			0,21	282
W-00-00500/01000-132-LL-E-SSS0			± 13,2		3		480			0,14	349

Angular, rectangular metallic expansion joint

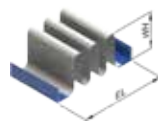
Compensator Properties	Design Temperature	≤ 530 °C
	Design Pressure	100 mbar
	Bellow Material	1.5415
	Corner Type	Double Miter
	Connection	Angle Flange
	Connection Material	1.5415
	Profile WH 80mm	L60x6
Profile WH 150/200mm	L80x8	
Cycles	≥ 1000	



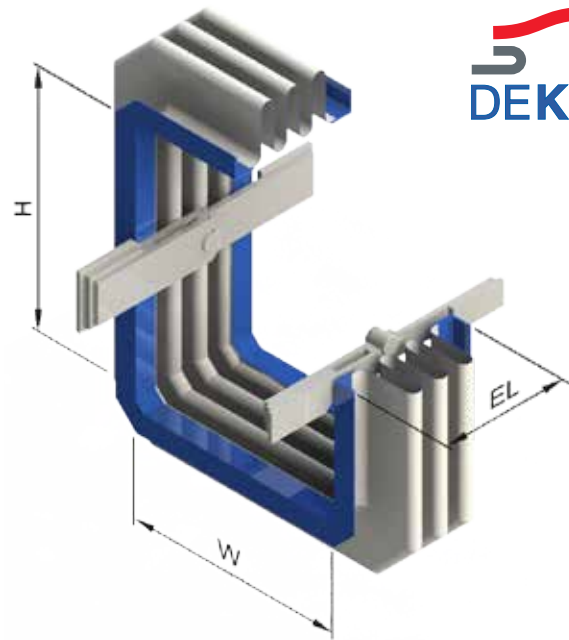
1 convolution



2 convolutions



3 convolutions

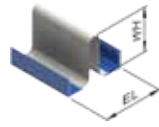


DEKOMTE Article Number	Clear Opening		Maximum Movement	Convolution Height WH	Number of Convolutions	Effective Area	Installation Length EL	Overall Dimension		Angular Adjustment Force	Weight
	Width W	Height H						Width	Height H		
	[mm]	[mm]						[mm]	[mm]		
W-00-00600/00300-010-LL-E-SSS0	600	300	± 1,0	80	1	2597	200	765	465	2,20	116
W-00-00600/00300-021-LL-E-SSS0			± 2,1		2		270			1,10	152
W-00-00600/00300-032-LL-E-SSS0			± 3,2		3		340			0,73	188
W-00-00600/00600-010-LL-E-SSS0	600	600	± 1,0	80	1	4677	200	765	765	3,29	127
W-00-00600/00600-021-LL-E-SSS0			± 2,1		2		270			1,65	165
W-00-00600/00600-032-LL-E-SSS0			± 3,2		3		340			1,10	203
W-00-00600/00600-028-LL-E-SSS0	600	600	± 2,8	150	1	5610	270	905	905	0,74	190
W-00-00600/00600-056-LL-E-SSS0			± 5,6		2		375			0,37	248
W-00-00600/00600-085-LL-E-SSS0			± 8,5		3		480			0,25	306
W-00-00600/00600-038-LL-E-SSS0	600	600	± 3,8	200	1	6272	270	1005	1005	0,42	196
W-00-00600/00600-075-LL-E-SSS0			± 7,5		2		375			0,21	259
W-00-00600/00600-113-LL-E-SSS0			± 11,3		3		480			0,14	322
W-00-00600/01200-010-LL-E-SSS0	600	1200	± 1,0	80	1	8838	200	765	1365	5,48	149
W-00-00600/01200-021-LL-E-SSS0			± 2,1		2		270			2,74	191
W-00-00600/01200-032-LL-E-SSS0			± 3,2		3		340			1,83	233
W-00-00600/01200-028-LL-E-SSS0	600	1200	± 2,8	150	1	10215	270	905	1505	1,18	226
W-00-00600/01200-056-LL-E-SSS0			± 5,6		2		375			0,59	291
W-00-00600/01200-085-LL-E-SSS0			± 8,5		3		480			0,39	355
W-00-00600/01200-038-LL-E-SSS0	600	1200	± 3,8	200	1	11177	270	1005	1605	0,65	233
W-00-00600/01200-075-LL-E-SSS0			± 7,5		2		375			0,32	305
W-00-00600/01200-113-LL-E-SSS0			± 11,3		3		480			0,22	376
W-00-00700/00700-009-LL-E-SSS0	700	700	± 0,9	80	1	6164	200	865	865	4,97	135
W-00-00700/00700-018-LL-E-SSS0			± 1,8		2		270			2,49	174
W-00-00700/00700-028-LL-E-SSS0			± 2,8		3		340			1,66	213
W-00-00700/00700-024-LL-E-SSS0	700	700	± 2,4	150	1	7245	270	1005	1005	1,07	202
W-00-00700/00700-048-LL-E-SSS0			± 4,8		2		375			0,54	263
W-00-00700/00700-073-LL-E-SSS0			± 7,3		3		480			0,36	322
W-00-00700/00700-032-LL-E-SSS0	700	700	± 3,2	200	1	8007	270	1105	1105	0,59	208
W-00-00700/00700-065-LL-E-SSS0			± 6,5		2		375			0,30	274
W-00-00700/00700-097-LL-E-SSS0			± 9,7		3		480			0,20	340

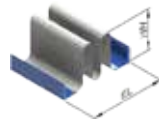
Angular, rectangular metallic expansion joint



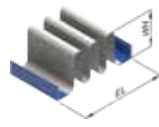
Compensator Properties	Design Temperature	≤ 530 °C
	Design Pressure	100 mbar
	Bellow Material	1.5415
	Corner Type	Double Miter
	Connection	Angle Flange
	Connection Material	1.5415
Profile WH 80mm	L60x6	
Profile WH 150/200mm	L80x8	
Cycles	≥ 1000	



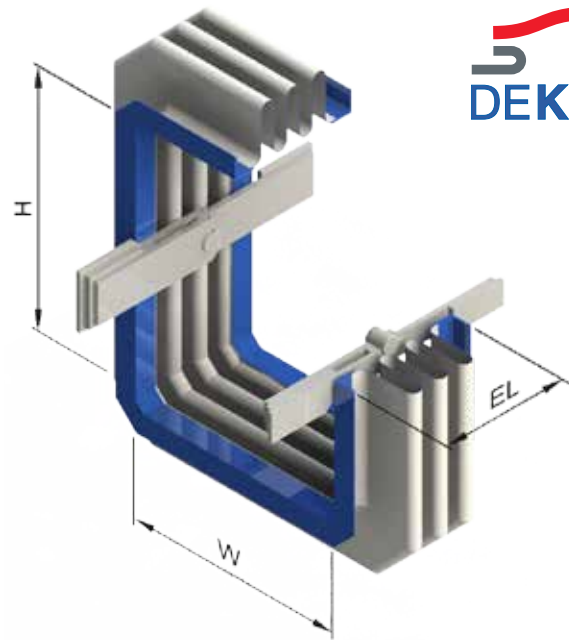
1 convolution



2 convolutions



3 convolutions

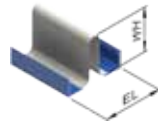


DEKOMTE Article Number	Clear Opening		Maximum Movement	Convolution Height WH	Number of Convolutions	Effective Area	Installation Length EL	Overall Dimension		Angular Adjustment Force	Weight
	Width W	Height H						Width	Height H		
	[mm]	[mm]						[mm]	[mm]		
W-00-00700/01400-009-LL-E-SSS0	700	1400	± 0,9	80	1	11719	200	865	1565	8,32	160
W-00-00700/01400-018-LL-E-SSS0			± 1,8		2		270			4,16	204
W-00-00700/01400-028-LL-E-SSS0			± 2,8		3		340			2,77	248
W-00-00700/01400-024-LL-E-SSS0	700	1400	± 2,4	150	1	13318	270	1005	1705	1,74	244
W-00-00700/01400-048-LL-E-SSS0			± 4,8		2		375			0,87	312
W-00-00700/01400-073-LL-E-SSS0			± 7,3		3		480			0,58	380
W-00-00700/01400-032-LL-E-SSS0	700	1400	± 3,2	200	1	14430	270	1105	1805	0,94	252
W-00-00700/01400-065-LL-E-SSS0			± 6,5		2		375			0,47	328
W-00-00700/01400-097-LL-E-SSS0			± 9,7		3		480			0,31	403
W-00-00800/00400-008-LL-E-SSS0	800	400	± 0,8	80	1	4277	200	965	565	4,71	127
W-00-00800/00400-016-LL-E-SSS0			± 1,6		2		270			2,35	165
W-00-00800/00400-025-LL-E-SSS0			± 2,5		3		340			1,57	203
W-00-00800/00800-008-LL-E-SSS0	800	800	± 0,8	80	1	7851	200	965	965	7,14	142
W-00-00800/00800-016-LL-E-SSS0			± 1,6		2		270			3,57	182
W-00-00800/00800-025-LL-E-SSS0			± 2,5		3		340			2,38	223
W-00-00800/00800-021-LL-E-SSS0	800	800	± 2,1	150	1	9080	270	1105	1105	1,50	214
W-00-00800/00800-042-LL-E-SSS0			± 4,2		2		375			0,75	277
W-00-00800/00800-064-LL-E-SSS0			± 6,4		3		480			0,50	339
W-00-00800/00800-028-LL-E-SSS0	800	800	± 2,8	200	1	9942	270	1205	1205	0,81	221
W-00-00800/00800-057-LL-E-SSS0			± 5,7		2		375			0,41	290
W-00-00800/00800-085-LL-E-SSS0			± 8,5		3		480			0,27	358
W-00-00800/01600-008-LL-E-SSS0	800	1600	± 0,8	80	1	14999	200	965	1765	12,01	171
W-00-00800/01600-016-LL-E-SSS0			± 1,6		2		270			6,00	217
W-00-00800/01600-025-LL-E-SSS0			± 2,5		3		340			4,00	263
W-00-00800/01600-021-LL-E-SSS0	800	1600	± 2,1	150	1	16820	270	1105	1905	2,44	262
W-00-00800/01600-042-LL-E-SSS0			± 4,2		2		375			1,22	333
W-00-00800/01600-064-LL-E-SSS0			± 6,4		3		480			0,81	404
W-00-00800/01600-028-LL-E-SSS0	800	1600	± 2,8	200	1	18082	270	1205	2005	1,30	271
W-00-00800/01600-057-LL-E-SSS0			± 5,7		2		375			0,65	351
W-00-00800/01600-085-LL-E-SSS0			± 8,5		3		480			0,43	430

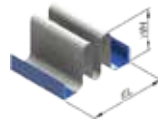
Angular, rectangular metallic expansion joint



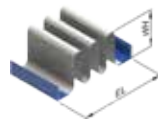
Compensator Properties	Design Temperature	≤ 530 °C
	Design Pressure	100 mbar
	Bellow Material	1.5415
	Corner Type	Double Miter
	Connection	Angle Flange
	Connection Material	1.5415
	Profile WH 80mm	L60x6
Profile WH 150/200mm	L80x8	
Cycles	≥ 1000	



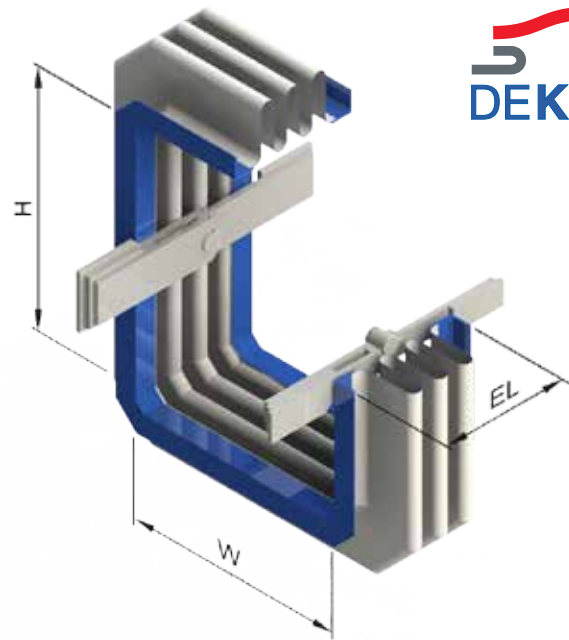
1 convolution



2 convolutions



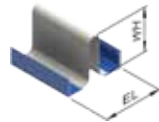
3 convolutions



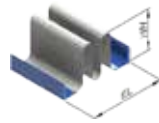
DEKOMTE Article Number	Clear Opening		Maximum Movement	Convolution Height WH	Number of Convolutions	Effective Area	Installation Length EL	Overall Dimension		Angular Adjustment Force	Weight
	Width W	Height H						Width	Height H		
	[mm]	[mm]						[mm]	[mm]		
W-00-00900/00900-007-LL-E-SSS0	900	900	± 0,7	80	1	9738	200	1065	1065	9,86	149
W-00-00900/00900-015-LL-E-SSS0			± 1,5		2		270			4,93	191
W-00-00900/00900-022-LL-E-SSS0			± 2,2		3		340			3,29	233
W-00-00900/00900-019-LL-E-SSS0	900	900	± 1,9	150	1	11115	270	1205	1205	2,02	226
W-00-00900/00900-038-LL-E-SSS0			± 3,8		2		375			1,01	291
W-00-00900/00900-057-LL-E-SSS0			± 5,7		3		480			0,67	355
W-00-00900/00900-025-LL-E-SSS0	900	900	± 2,5	200	1	12077	270	1305	1305	1,08	233
W-00-00900/00900-050-LL-E-SSS0			± 5,0		2		375			0,54	305
W-00-00900/00900-076-LL-E-SSS0			± 7,6		3		480			0,36	376
W-00-00900/01800-007-LL-E-SSS0	900	1800	± 0,7	80	1	18680	200	1065	1965	16,65	182
W-00-00900/01800-015-LL-E-SSS0			± 1,5		2		270			8,33	230
W-00-00900/01800-022-LL-E-SSS0			± 2,2		3		340			5,55	278
W-00-00900/01800-019-LL-E-SSS0	900	1800	± 1,9	150	1	20723	270	1205	2105	3,32	280
W-00-00900/01800-038-LL-E-SSS0			± 3,8		2		375			1,66	355
W-00-00900/01800-057-LL-E-SSS0			± 5,7		3		480			1,11	429
W-00-00900/01800-025-LL-E-SSS0	900	1800	± 2,5	200	1	22135	270	1305	2205	1,74	290
W-00-00900/01800-050-LL-E-SSS0			± 5,0		2		375			0,87	373
W-00-00900/01800-076-LL-E-SSS0			± 7,6		3		480			0,58	457
W-00-01000/00500-006-LL-E-SSS0	1000	500	± 0,6	80	1	6358	200	1165	665	8,62	138
W-00-01000/00500-013-LL-E-SSS0			± 1,3		2		270			4,31	178
W-00-01000/00500-020-LL-E-SSS0			± 2,0		3		340			2,87	218
W-00-01000/00500-017-LL-E-SSS0	1000	500	± 1,7	150	1	7513	270	1305	805	1,79	208
W-00-01000/00500-034-LL-E-SSS0			± 3,4		2		375			0,90	270
W-00-01000/00500-051-LL-E-SSS0			± 5,1		3		480			0,60	331
W-00-01000/00500-023-LL-E-SSS0	1000	500	± 2,3	200	1	8325	270	1405	905	0,96	215
W-00-01000/00500-045-LL-E-SSS0			± 4,5		2		375			0,48	282
W-00-01000/00500-068-LL-E-SSS0			± 6,8		3		480			0,32	349
W-00-01000/01000-006-LL-E-SSS0	1000	1000	± 0,6	80	1	11825	200	1165	1165	13,20	157
W-00-01000/01000-013-LL-E-SSS0			± 1,3		2		270			6,60	200
W-00-01000/01000-020-LL-E-SSS0			± 2,0		3		340			4,40	243

Angular, rectangular metallic expansion joint

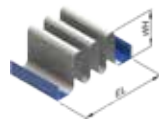
Compensator Properties	Design Temperature	≤ 530 °C
	Design Pressure	100 mbar
	Bellow Material	1.5415
	Corner Type	Double Miter
	Connection	Angle Flange
	Connection Material	1.5415
	Profile WH 80mm	L60x6
Profile WH 150/200mm	L80x8	
Cycles	≥ 1000	



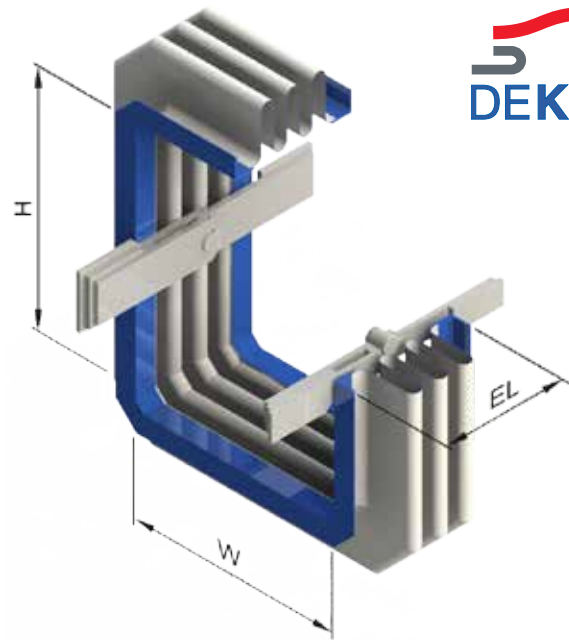
1 convolution



2 convolutions



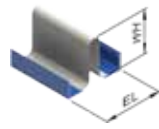
3 convolutions



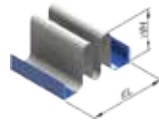
DEKOMTE Article Number	Clear Opening		Maximum Movement	Convolution Height WH	Number of Convolutions	Effective Area	Installation Length EL	Overall Dimension		Angular Adjustment Force	Weight
	Width W	Height H						Width	Height H		
	[mm]	[mm]						[mm]	[mm]		
W-00-01000/01000-017-LL-E-SSS0	1000	1000	± 1,7	150	1	13350	270	1305	1305	2,66	238
W-00-01000/01000-034-LL-E-SSS0			± 3,4		2		375			1,33	305
W-00-01000/01000-051-LL-E-SSS0			± 5,1		3		480			0,89	372
W-00-01000/01000-023-LL-E-SSS0	1000	1000	± 2,3	200	1	14412	270	1405	1405	1,40	246
W-00-01000/01000-045-LL-E-SSS0			± 4,5		2		375			0,70	320
W-00-01000/01000-068-LL-E-SSS0			± 6,8		3		480			0,47	394
W-00-01000/02000-006-LL-E-SSS0	1000	2000	± 0,6	80	1	22760	200	1165	2165	22,37	193
W-00-01000/02000-013-LL-E-SSS0			± 1,3		2		270			11,18	243
W-00-01000/02000-020-LL-E-SSS0			± 2,0		3		340			7,46	293
W-00-01000/02000-017-LL-E-SSS0	1000	2000	± 1,7	150	1	25025	270	1305	2305	4,39	298
W-00-01000/02000-034-LL-E-SSS0			± 3,4		2		375			2,20	376
W-00-01000/02000-051-LL-E-SSS0			± 5,1		3		480			1,46	454
W-00-01000/02000-023-LL-E-SSS0	1000	2000	± 2,3	200	1	26587	270	1405	2405	2,28	309
W-00-01000/02000-045-LL-E-SSS0			± 4,5		2		375			1,14	396
W-00-01000/02000-068-LL-E-SSS0			± 6,8		3		480			0,76	484
W-00-01200/00600-005-LL-E-SSS0	1200	600	± 0,5	80	1	8838	200	1365	765	14,25	149
W-00-01200/00600-011-LL-E-SSS0			± 1,1		2		270			7,12	191
W-00-01200/00600-017-LL-E-SSS0			± 1,7		3		340			4,75	233
W-00-01200/00600-014-LL-E-SSS0	1200	600	± 1,4	150	1	10215	270	1505	905	2,87	226
W-00-01200/00600-028-LL-E-SSS0			± 2,8		2		375			1,43	291
W-00-01200/00600-043-LL-E-SSS0			± 4,3		3		480			0,96	355
W-00-01200/00600-019-LL-E-SSS0	1200	600	± 1,9	200	1	11177	270	1605	1005	1,51	233
W-00-01200/00600-038-LL-E-SSS0			± 3,8		2		375			0,75	305
W-00-01200/00600-057-LL-E-SSS0			± 5,7		3		480			0,50	376
W-00-01200/01200-005-LL-E-SSS0	1200	1200	± 0,5	80	1	16599	200	1365	1365	21,97	171
W-00-01200/01200-011-LL-E-SSS0			± 1,1		2		270			10,99	217
W-00-01200/01200-017-LL-E-SSS0			± 1,7		3		340			7,32	263
W-00-01200/01200-014-LL-E-SSS0	1200	1200	± 1,4	150	1	18420	270	1505	1505	4,30	262
W-00-01200/01200-028-LL-E-SSS0			± 2,8		2		375			2,15	333
W-00-01200/01200-043-LL-E-SSS0			± 4,3		3		480			1,43	404

Angular, rectangular metallic expansion joint

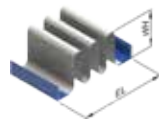
Compensator Properties	Design Temperature	≤ 530 °C
	Design Pressure	100 mbar
	Bellow Material	1.5415
	Corner Type	Double Miter
	Connection	Angle Flange
	Connection Material	1.5415
	Profile WH 80mm	L60x6
Profile WH 150/200mm	L80x8	
Cycles	≥ 1000	



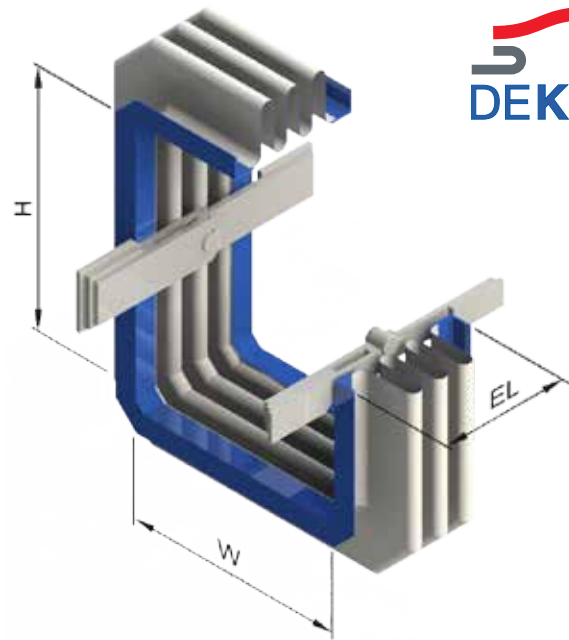
1 convolution



2 convolutions



3 convolutions

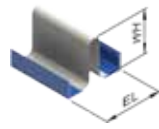


DEKOMTE Article Number	Clear Opening		Maximum Movement	Convolution Height WH	Number of Convolutions	Effective Area	Installation Length EL	Overall Dimension		Angular Adjustment Force	Weight
	Width W	Height H						Width	Height H		
	[mm]	[mm]						[mm]	[mm]		
W-00-01200/01200-019-LL-E-SSS0	1200	1200	± 1,9	200	1	19682	270	1605	1605	2,22	271
W-00-01200/01200-038-LL-E-SSS0			± 3,8		2		375			1,11	351
W-00-01200/01200-057-LL-E-SSS0			± 5,7		3		480			0,74	430
W-00-01200/02400-005-LL-E-SSS0	1200	2400	± 0,5	80	1	32121	200	1365	2565	37,43	215
W-00-01200/02400-011-LL-E-SSS0			± 1,1		2		270			18,71	269
W-00-01200/02400-017-LL-E-SSS0			± 1,7		3		340			12,48	323
W-00-01200/02400-014-LL-E-SSS0	1200	2400	± 1,4	150	1	34830	270	1505	2705	7,17	334
W-00-01200/02400-028-LL-E-SSS0			± 2,8		2		375			3,58	419
W-00-01200/02400-043-LL-E-SSS0			± 4,3		3		480			2,39	503
W-00-01200/02400-019-LL-E-SSS0	1200	2400	± 1,9	200	1	36692	270	1605	2805	3,65	346
W-00-01200/02400-038-LL-E-SSS0			± 3,8		2		375			1,83	442
W-00-01200/02400-057-LL-E-SSS0			± 5,7		3		480			1,22	538
W-00-01400/00700-004-LL-E-SSS0	1400	700	± 0,4	80	1	11719	200	1565	865	21,92	160
W-00-01400/00700-009-LL-E-SSS0			± 0,9		2		270			10,96	204
W-00-01400/00700-014-LL-E-SSS0			± 1,4		3		340			7,31	248
W-00-01400/00700-012-LL-E-SSS0	1400	700	± 1,2	150	1	13318	270	1705	1005	4,30	244
W-00-01400/00700-024-LL-E-SSS0			± 2,4		2		375			2,15	312
W-00-01400/00700-037-LL-E-SSS0			± 3,7		3		480			1,43	380
W-00-01400/00700-016-LL-E-SSS0	1400	700	± 1,6	200	1	14430	270	1805	1105	2,23	252
W-00-01400/00700-033-LL-E-SSS0			± 3,3		2		375			1,12	328
W-00-01400/00700-049-LL-E-SSS0			± 4,9		3		480			0,74	403
W-00-01400/01400-004-LL-E-SSS0	1400	1400	± 0,4	80	1	22173	200	1565	1565	33,97	186
W-00-01400/01400-009-LL-E-SSS0			± 0,9		2		270			16,98	235
W-00-01400/01400-014-LL-E-SSS0			± 1,4		3		340			11,32	283
W-00-01400/01400-012-LL-E-SSS0	1400	1400	± 1,2	150	1	24290	270	1705	1705	6,51	286
W-00-01400/01400-024-LL-E-SSS0			± 2,4		2		375			3,25	362
W-00-01400/01400-037-LL-E-SSS0			± 3,7		3		480			2,17	437
W-00-01400/01400-016-LL-E-SSS0	1400	1400	± 1,6	200	1	25752	270	1805	1805	3,32	296
W-00-01400/01400-033-LL-E-SSS0			± 3,3		2		375			1,66	381
W-00-01400/01400-049-LL-E-SSS0			± 4,9		3		480			1,11	466

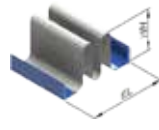
Angular, rectangular metallic expansion joint



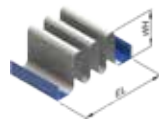
Compensator Properties	Design Temperature	≤ 530 °C
	Design Pressure	100 mbar
	Bellow Material	1.5415
	Corner Type	Double Miter
	Connection	Angle Flange
	Connection Material	1.5415
	Profile WH 80mm	L60x6
Profile WH 150/200mm	L80x8	
Cycles	≥ 1000	



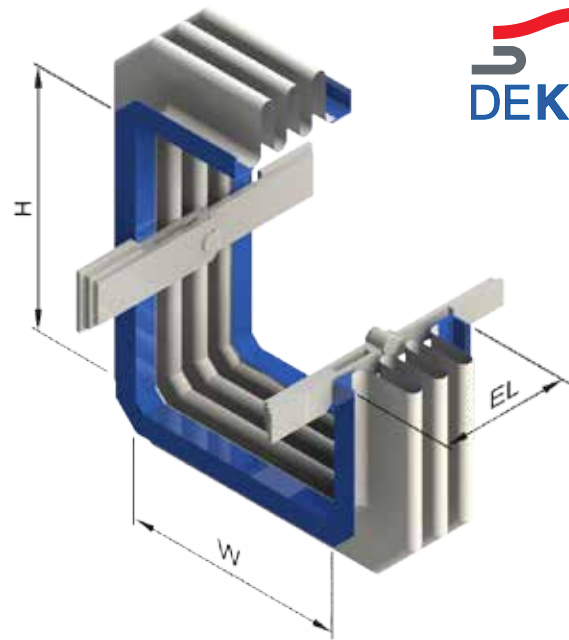
1 convolution



2 convolutions



3 convolutions

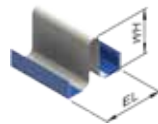


DEKOMTE Article Number	Clear Opening		Maximum Movement	Convolution Height WH	Number of Convolutions	Effective Area	Installation Length EL	Overall Dimension		Angular Adjustment Force	Weight
	Width W	Height H						Width	Height H		
	[mm]	[mm]						[mm]	[mm]		
W-00-01400/02800-004-LL-E-SSS0	1400	2800	± 0,4	80	1	43082	200	1565	2965	58,07	237
W-00-01400/02800-009-LL-E-SSS0			± 0,9		2		270			29,03	295
W-00-01400/02800-014-LL-E-SSS0			± 1,4		3		340			19,36	354
W-00-01400/02800-012-LL-E-SSS0	1400	2800	± 1,2	150	1	46235	270	1705	3105	10,92	370
W-00-01400/02800-024-LL-E-SSS0			± 2,4		2		375			5,46	461
W-00-01400/02800-037-LL-E-SSS0			± 3,7		3		480			3,64	552
W-00-01400/02800-016-LL-E-SSS0	1400	2800	± 1,6	200	1	48397	270	1805	3205	5,50	384
W-00-01400/02800-033-LL-E-SSS0			± 3,3		2		375			2,75	488
W-00-01400/02800-049-LL-E-SSS0			± 4,9		3		480			1,83	592
W-00-01600/00800-004-LL-E-SSS0	1600	800	± 0,4	80	1	14999	200	1765	965	31,94	171
W-00-01600/00800-008-LL-E-SSS0			± 0,8		2		270			15,97	217
W-00-01600/00800-013-LL-E-SSS0			± 1,3		3		340			10,65	263
W-00-01600/00800-011-LL-E-SSS0	1600	800	± 1,1	150	1	16820	270	1905	1105	6,16	262
W-00-01600/00800-021-LL-E-SSS0			± 2,1		2		375			3,08	333
W-00-01600/00800-032-LL-E-SSS0			± 3,2		3		480			2,05	404
W-00-01600/00800-014-LL-E-SSS0	1600	800	± 1,4	200	1	18082	270	2005	1205	3,15	271
W-00-01600/00800-028-LL-E-SSS0			± 2,8		2		375			1,58	351
W-00-01600/00800-043-LL-E-SSS0			± 4,3		3		480			1,05	430
W-00-01600/01600-004-LL-E-SSS0	1600	1600	± 0,4	80	1	28547	200	1765	1765	49,68	201
W-00-01600/01600-008-LL-E-SSS0			± 0,8		2		270			24,84	252
W-00-01600/01600-013-LL-E-SSS0			± 1,3		3		340			16,56	303
W-00-01600/01600-011-LL-E-SSS0	1600	1600	± 1,1	150	1	30960	270	1905	1905	9,37	310
W-00-01600/01600-021-LL-E-SSS0			± 2,1		2		375			4,68	390
W-00-01600/01600-032-LL-E-SSS0			± 3,2		3		480			3,12	470
W-00-01600/01600-014-LL-E-SSS0	1600	1600	± 1,4	200	1	32622	270	2005	2005	4,73	321
W-00-01600/01600-028-LL-E-SSS0			± 2,8		2		375			2,36	412
W-00-01600/01600-043-LL-E-SSS0			± 4,3		3		480			1,58	502
W-00-01600/03200-004-LL-E-SSS0	1600	3200	± 0,4	80	1	55643	200	1765	3365	85,17	259
W-00-01600/03200-008-LL-E-SSS0			± 0,8		2		270			42,59	321
W-00-01600/03200-013-LL-E-SSS0			± 1,3		3		340			28,39	384

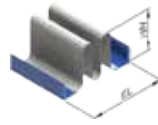
Angular, rectangular metallic expansion joint



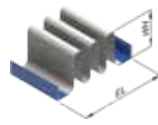
Compensator Properties	Design Temperature	≤ 530 °C
	Design Pressure	100 mbar
	Bellow Material	1.5415
	Corner Type	Double Miter
	Connection	Angle Flange
	Connection Material	1.5415
	Profile WH 80mm	L60x6
Profile WH 150/200mm	L80x8	
Cycles	≥ 1000	



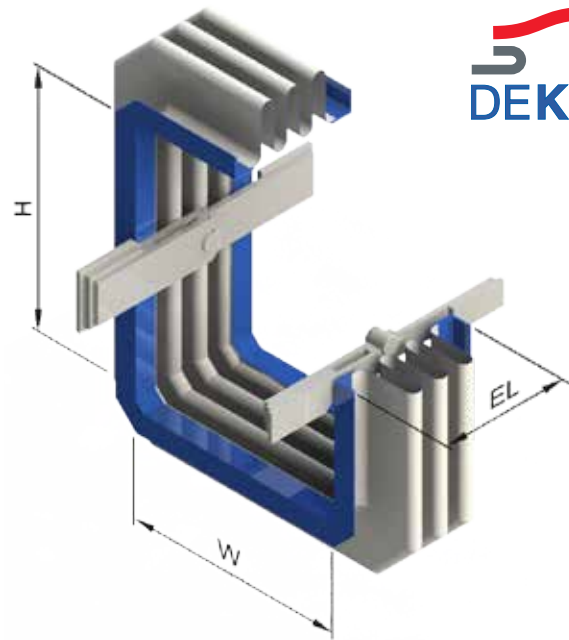
1 convolution



2 convolutions



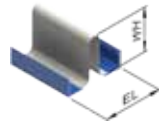
3 convolutions



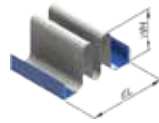
DEKOMTE Article Number	Clear Opening		Maximum Movement	Convolution Height WH	Number of Convolutions	Effective Area	Installation Length EL	Overall Dimension		Angular Adjustment Force	Weight
	Width W	Height H						Width	Height H		
	[mm]	[mm]						[mm]	[mm]		
W-00-01600/03200-011-LL-E-SSS0	1600	3200	± 1,1	150	1	59240	270	1905	3505	15,79	406
W-00-01600/03200-021-LL-E-SSS0			± 2,1		2		375			7,89	504
W-00-01600/03200-032-LL-E-SSS0			± 3,2		3		480			5,26	601
W-00-01600/03200-014-LL-E-SSS0	1600	3200	± 1,4	200	1	61702	270	2005	3605	7,88	421
W-00-01600/03200-028-LL-E-SSS0			± 2,8		2		375			3,94	534
W-00-01600/03200-043-LL-E-SSS0			± 4,3		3		480			2,63	646
W-00-01800/00900-003-LL-E-SSS0	1800	900	± 0,3	80	1	18680	200	1965	1065	44,63	182
W-00-01800/00900-007-LL-E-SSS0			± 0,7		2		270			22,31	230
W-00-01800/00900-011-LL-E-SSS0			± 1,1		3		340			14,88	278
W-00-01800/00900-009-LL-E-SSS0	1800	900	± 0,9	150	1	20723	270	2105	1205	8,47	280
W-00-01800/00900-019-LL-E-SSS0			± 1,9		2		375			4,24	355
W-00-01800/00900-029-LL-E-SSS0			± 2,9		3		480			2,82	429
W-00-01800/00900-013-LL-E-SSS0	1800	900	± 1,3	200	1	22135	270	2205	1305	4,30	290
W-00-01800/00900-025-LL-E-SSS0			± 2,5		2		375			2,15	373
W-00-01800/00900-038-LL-E-SSS0			± 3,8		3		480			1,43	457
W-00-01800/01800-003-LL-E-SSS0	1800	1800	± 0,3	80	1	35721	200	1965	1965	69,62	215
W-00-01800/01800-007-LL-E-SSS0			± 0,7		2		270			34,81	269
W-00-01800/01800-011-LL-E-SSS0			± 1,1		3		340			23,21	323
W-00-01800/01800-009-LL-E-SSS0	1800	1800	± 0,9	150	1	38430	270	2105	2105	12,96	334
W-00-01800/01800-019-LL-E-SSS0			± 1,9		2		375			6,48	419
W-00-01800/01800-029-LL-E-SSS0			± 2,9		3		480			4,32	503
W-00-01800/01800-013-LL-E-SSS0	1800	1800	± 1,3	200	1	40292	270	2205	2205	6,48	346
W-00-01800/01800-025-LL-E-SSS0			± 2,5		2		375			3,24	442
W-00-01800/01800-038-LL-E-SSS0			± 3,8		3		480			2,16	538
W-00-01800/03600-003-LL-E-SSS0	1800	3600	± 0,3	80	1	69804	200	1965	3765	120	281
W-00-01800/03600-007-LL-E-SSS0			± 0,7		2		270			59,81	348
W-00-01800/03600-011-LL-E-SSS0			± 1,1		3		340			39,87	414
W-00-01800/03600-009-LL-E-SSS0	1800	3600	± 0,9	150	1	73845	270	2105	3905	21,93	442
W-00-01800/03600-019-LL-E-SSS0			± 1,9		2		375			10,97	546
W-00-01800/03600-029-LL-E-SSS0			± 2,9		3		480			7,31	651

Angular, rectangular metallic expansion joint

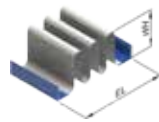
Compensator Properties	Design Temperature	≤ 530 °C
	Design Pressure	100 mbar
	Bellow Material	1.5415
	Corner Type	Double Miter
	Connection	Angle Flange
	Connection Material	1.5415
	Profile WH 80mm	L60x6
Profile WH 150/200mm	L80x8	
Cycles	≥ 1000	



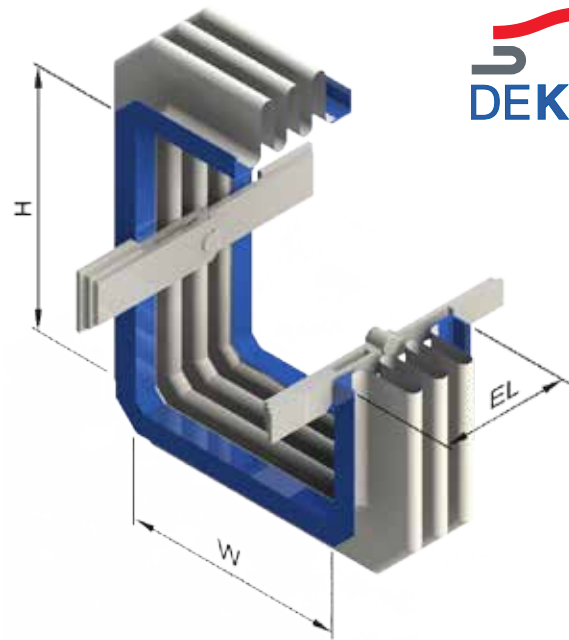
1 convolution



2 convolutions



3 convolutions

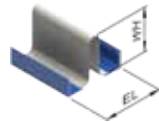


DEKOMTE Article Number	Clear Opening		Maximum Movement	Convolution Height WH	Number of Convolutions	Effective Area	Installation Length EL	Overall Dimension		Angular Adjustment Force	Weight
	Width W	Height H						Width	Height H		
	[mm]	[mm]						[mm]	[mm]		
W-00-01800/03600-013-LL-E-SSS0	1800	3600	± 1,3	200	1	76607	270	2205	4005	10,86	459
W-00-01800/03600-025-LL-E-SSS0			± 2,5		2		375			5,43	580
W-00-01800/03600-038-LL-E-SSS0			± 3,8		3		480			3,62	700
W-00-02000/01000-003-LL-E-SSS0	2000	1000	± 0,3	80	1	22760	200	2165	1165	60,29	193
W-00-02000/01000-007-LL-E-SSS0			± 0,7		2		270			30,15	243
W-00-02000/01000-010-LL-E-SSS0			± 1,0		3		340			20,10	293
W-00-02000/01000-009-LL-E-SSS0	2000	1000	± 0,9	150	1	25025	270	2305	1305	11,31	298
W-00-02000/01000-017-LL-E-SSS0			± 1,7		2		375			5,66	376
W-00-02000/01000-026-LL-E-SSS0			± 2,6		3		480			3,77	454
W-00-02000/01000-011-LL-E-SSS0	2000	1000	± 1,1	200	1	26587	270	2405	1405	5,69	309
W-00-02000/01000-023-LL-E-SSS0			± 2,3		2		375			2,84	396
W-00-02000/01000-034-LL-E-SSS0			± 3,4		3		480			1,90	484
W-00-02000/02000-003-LL-E-SSS0	2000	2000	± 0,3	80	1	43695	200	2165	2165	94,29	230
W-00-02000/02000-007-LL-E-SSS0			± 0,7		2		270			47,15	287
W-00-02000/02000-010-LL-E-SSS0			± 1,0		3		340			31,43	343
W-00-02000/02000-009-LL-E-SSS0	2000	2000	± 0,9	150	1	46700	270	2305	2305	17,37	358
W-00-02000/02000-017-LL-E-SSS0			± 1,7		2		375			8,68	447
W-00-02000/02000-026-LL-E-SSS0			± 2,6		3		480			5,79	536
W-00-02000/02000-011-LL-E-SSS0	2000	2000	± 1,1	200	1	48762	270	2405	2405	8,63	371
W-00-02000/02000-023-LL-E-SSS0			± 2,3		2		375			4,32	473
W-00-02000/02000-034-LL-E-SSS0			± 3,4		3		480			2,88	574
W-00-02000/04000-003-LL-E-SSS0	2000	4000	± 0,3	80	1	85565	200	2165	4165	162	303
W-00-02000/04000-007-LL-E-SSS0			± 0,7		2		270			81,15	374
W-00-02000/04000-010-LL-E-SSS0			± 1,0		3		340			54,10	444
W-00-02000/04000-009-LL-E-SSS0	2000	4000	± 0,9	150	1	90050	270	2305	4305	29,49	478
W-00-02000/04000-017-LL-E-SSS0			± 1,7		2		375			14,74	589
W-00-02000/04000-026-LL-E-SSS0			± 2,6		3		480			9,83	700
W-00-02000/04000-011-LL-E-SSS0	2000	4000	± 1,1	200	1	93112	270	2405	4405	14,52	496
W-00-02000/04000-023-LL-E-SSS0			± 2,3		2		375			7,26	625
W-00-02000/04000-034-LL-E-SSS0			± 3,4		3		480			4,84	754

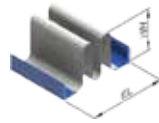
Angular, rectangular metallic expansion joint



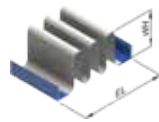
Compensator Properties	Design Temperature	≤ 530 °C
	Design Pressure	100 mbar
	Bellow Material	1.5415
	Corner Type	Double Miter
	Connection	Angle Flange
	Connection Material	1.5415
	Profile WH 80mm	L60x6
Profile WH 150/200mm	L80x8	
Cycles	≥ 1000	



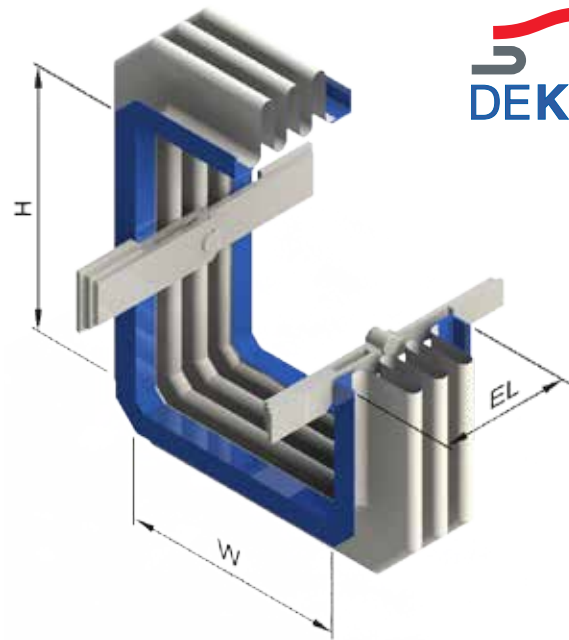
1 convolution



2 convolutions



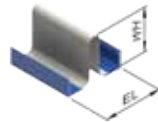
3 convolutions



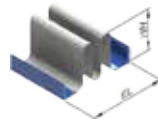
DEKOMTE Article Number	Clear Opening		Maximum Movement	Convolution Height WH	Number of Convolutions	Effective Area	Installation Length EL	Overall Dimension		Angular Adjustment Force	Weight
	Width W	Height H						Width	Height H		
	[mm]	[mm]						[mm]	[mm]		
W-00-02200/02200-008-LL-E-SSS0	2200	2200	± 0,8	150	1	55770	270	2505	2505	22,68	382
W-00-02200/02200-016-LL-E-SSS0			± 1,6		2		375			11,34	475
W-00-02200/02200-023-LL-E-SSS0			± 2,3		3		480			7,56	568
W-00-02200/02200-010-LL-E-SSS0	2200	2200	± 1,0	200	1	58032	270	2605	2605	11,21	396
W-00-02200/02200-021-LL-E-SSS0			± 2,1		2		375			5,60	503
W-00-02200/02200-031-LL-E-SSS0			± 3,1		3		480			3,74	610
W-00-02200/04400-008-LL-E-SSS0	2200	4400	± 0,8	150	1	107855	270	2505	4705	38,61	514
W-00-02200/04400-016-LL-E-SSS0			± 1,6		2		375			19,30	632
W-00-02200/04400-023-LL-E-SSS0			± 2,3		3		480			12,87	749
W-00-02200/04400-010-LL-E-SSS0	2200	4400	± 1,0	200	1	111217	270	2605	4805	18,91	534
W-00-02200/04400-021-LL-E-SSS0			± 2,1		2		375			9,45	671
W-00-02200/04400-031-LL-E-SSS0			± 3,1		3		480			6,30	808
W-00-02400/01200-002-LL-E-SSS0	2400	1200	± 0,2	80	1	32121	200	2565	1365	102	215
W-00-02400/01200-005-LL-E-SSS0			± 0,5		2		270			50,91	269
W-00-02400/01200-008-LL-E-SSS0			± 0,8		3		340			33,94	323
W-00-02400/01200-007-LL-E-SSS0	2400	1200	± 0,7	150	1	34830	270	2705	1505	18,75	334
W-00-02400/01200-014-LL-E-SSS0			± 1,4		2		375			9,38	419
W-00-02400/01200-021-LL-E-SSS0			± 2,1		3		480			6,25	503
W-00-02400/01200-010-LL-E-SSS0	2400	1200	± 1,0	200	1	36692	270	2805	1605	9,32	346
W-00-02400/01200-019-LL-E-SSS0			± 1,9		2		375			4,66	442
W-00-02400/01200-029-LL-E-SSS0			± 2,9		3		480			3,11	538
W-00-02400/02400-007-LL-E-SSS0	2400	2400	± 0,7	150	1	65640	270	2705	2705	28,98	406
W-00-02400/02400-014-LL-E-SSS0			± 1,4		2		375			14,49	504
W-00-02400/02400-021-LL-E-SSS0			± 2,1		3		480			9,66	601
W-00-02400/02400-010-LL-E-SSS0	2400	2400	± 1,0	200	1	68102	270	2805	2805	14,25	421
W-00-02400/02400-019-LL-E-SSS0			± 1,9		2		375			7,12	534
W-00-02400/02400-029-LL-E-SSS0			± 2,9		3		480			4,75	646
W-00-02400/04800-007-LL-E-SSS0	2400	4800	± 0,7	150	1	127260	270	2705	5105	49,44	550
W-00-02400/04800-014-LL-E-SSS0			± 1,4		2		375			24,72	674
W-00-02400/04800-021-LL-E-SSS0			± 2,1		3		480			16,48	798

Angular, rectangular metallic expansion joint

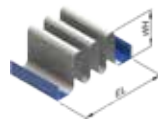
Compensator Properties	Design Temperature	≤ 530 °C
	Design Pressure	100 mbar
	Bellow Material	1.5415
	Corner Type	Double Miter
	Connection	Angle Flange
	Connection Material	1.5415
	Profile WH 80mm	L60x6
Profile WH 150/200mm	L80x8	
Cycles	≥ 1000	



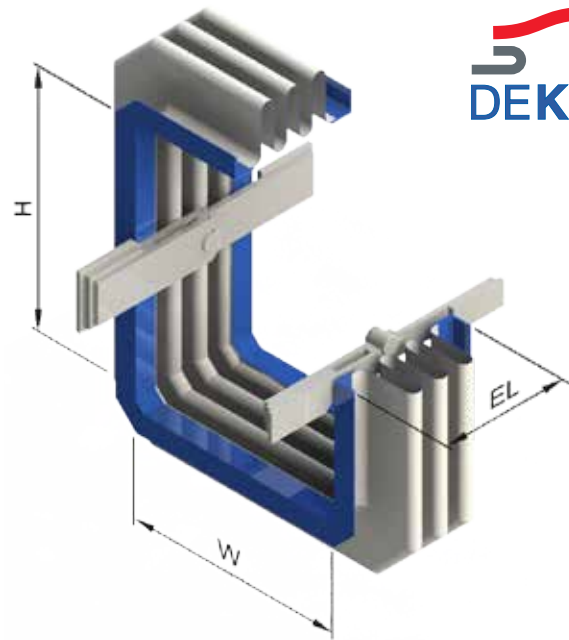
1 convolution



2 convolutions



3 convolutions

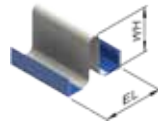


DEKOMTE Article Number	Clear Opening		Maximum Movement	Convolution Height WH	Number of Convolutions	Effective Area	Installation Length EL	Overall Dimension		Angular Adjustment Force	Weight
	Width W	Height H						Width	Height H		
	[mm]	[mm]						[mm]	[mm]		
W-00-02400/04800-010-LL-E-SSS0	2400	4800	± 1,0	200	1	130922	270	2805	5205	24,11	571
W-00-02400/04800-019-LL-E-SSS0			± 1,9		2		375			12,06	717
W-00-02400/04800-029-LL-E-SSS0			± 2,9		3		480			8,04	863
W-00-02600/02600-007-LL-E-SSS0	2600	2600	± 0,7	150	1	76310	270	2905	2905	36,35	430
W-00-02600/02600-013-LL-E-SSS0			± 1,3		2		375			18,17	532
W-00-02600/02600-020-LL-E-SSS0			± 2,0		3		480			12,12	634
W-00-02600/02600-009-LL-E-SSS0	2600	2600	± 0,9	200	1	78972	270	3005	3005	17,79	446
W-00-02600/02600-018-LL-E-SSS0			± 1,8		2		375			8,90	564
W-00-02600/02600-026-LL-E-SSS0			± 2,6		3		480			5,93	682
W-00-02600/05200-007-LL-E-SSS0	2600	5200	± 0,7	150	1	148265	270	2905	5505	62,12	586
W-00-02600/05200-013-LL-E-SSS0			± 1,3		2		375			31,06	717
W-00-02600/05200-020-LL-E-SSS0			± 2,0		3		480			20,71	847
W-00-02600/05200-009-LL-E-SSS0	2600	5200	± 0,9	200	1	152227	270	3005	5605	30,19	609
W-00-02600/05200-018-LL-E-SSS0			± 1,8		2		375			15,09	763
W-00-02600/05200-026-LL-E-SSS0			± 2,6		3		480			10,06	917
W-00-02800/01400-002-LL-E-SSS0	2800	1400	± 0,2	80	1	43082	200	2965	1565	159	237
W-00-02800/01400-005-LL-E-SSS0			± 0,5		2		270			79,52	295
W-00-02800/01400-007-LL-E-SSS0			± 0,7		3		340			53,02	354
W-00-02800/01400-006-LL-E-SSS0	2800	1400	± 0,6	150	1	46235	270	3105	1705	28,90	370
W-00-02800/01400-012-LL-E-SSS0			± 1,2		2		375			14,45	461
W-00-02800/01400-018-LL-E-SSS0			± 1,8		3		480			9,63	552
W-00-02800/01400-008-LL-E-SSS0	2800	1400	± 0,8	200	1	48397	270	3205	1805	14,23	384
W-00-02800/01400-016-LL-E-SSS0			± 1,6		2		375			7,11	488
W-00-02800/01400-024-LL-E-SSS0			± 2,4		3		480			4,74	592
W-00-02800/02800-006-LL-E-SSS0	2800	2800	± 0,6	150	1	87780	270	3105	3105	44,87	454
W-00-02800/02800-012-LL-E-SSS0			± 1,2		2		375			22,43	561
W-00-02800/02800-018-LL-E-SSS0			± 1,8		3		480			14,96	667
W-00-02800/02800-008-LL-E-SSS0	2800	2800	± 0,8	200	1	90642	270	3205	3205	21,89	471
W-00-02800/02800-016-LL-E-SSS0			± 1,6		2		375			10,94	595
W-00-02800/02800-024-LL-E-SSS0			± 2,4		3		480			7,30	718

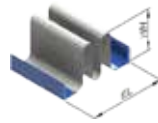
Angular, rectangular metallic expansion joint



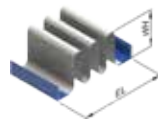
Compensator Properties	Design Temperature	≤ 530 °C
	Design Pressure	100 mbar
	Bellow Material	1.5415
	Corner Type	Double Miter
	Connection	Angle Flange
	Connection Material	1.5415
	Profile WH 80mm	L60x6
Profile WH 150/200mm	L80x8	
Cycles	≥ 1000	



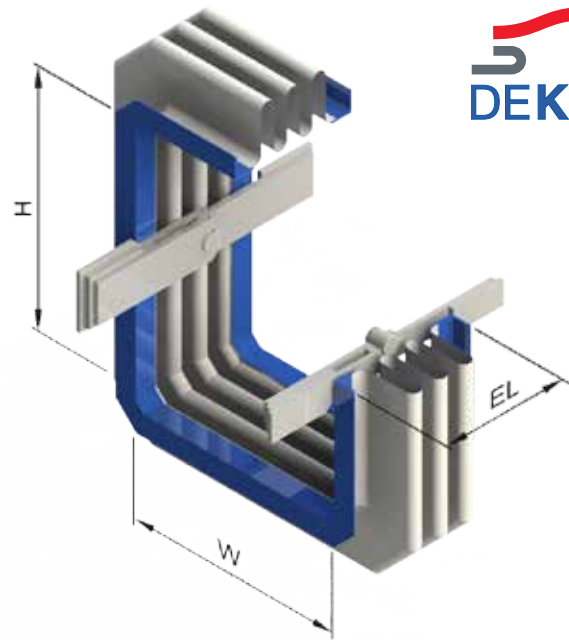
1 convolution



2 convolutions



3 convolutions

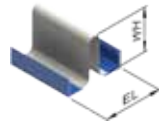


DEKOMTE Article Number	Clear Opening		Maximum Movement	Convolution Height WH	Number of Convolutions	Effective Area	Installation Length EL	Overall Dimension		Angular Adjustment Force	Weight
	Width W	Height H						Width	Height H		
	[mm]	[mm]						[mm]	[mm]		
W-00-02800/05600-006-LL-E-SSS0	2800	5600	± 0,6	150	1	170870	270	3105	5905	76,81	622
W-00-02800/05600-012-LL-E-SSS0			± 1,2		2		375			38,40	759
W-00-02800/05600-018-LL-E-SSS0			± 1,8		3		480			25,60	897
W-00-02800/05600-008-LL-E-SSS0	2800	5600	± 0,8	200	1	175132	270	3205	6005	37,21	646
W-00-02800/05600-016-LL-E-SSS0			± 1,6		2		375			18,60	809
W-00-02800/05600-024-LL-E-SSS0			± 2,4		3		480			12,40	971
W-00-03000/03000-006-LL-E-SSS0	3000	3000	± 0,6	150	1	100050	270	3305	3305	54,63	478
W-00-03000/03000-011-LL-E-SSS0			± 1,1		2		375			27,31	589
W-00-03000/03000-017-LL-E-SSS0			± 1,7		3		480			18,21	700
W-00-03000/03000-008-LL-E-SSS0	3000	3000	± 0,8	200	1	103112	270	3405	3405	26,56	496
W-00-03000/03000-015-LL-E-SSS0			± 1,5		2		375			13,28	625
W-00-03000/03000-023-LL-E-SSS0			± 2,3		3		480			8,85	754
W-00-03000/06000-006-LL-E-SSS0	3000	6000	± 0,6	150	1	195075	270	3305	6305	93,64	658
W-00-03000/06000-011-LL-E-SSS0			± 1,1		2		375			46,82	802
W-00-03000/06000-017-LL-E-SSS0			± 1,7		3		480			31,21	946
W-00-03000/06000-008-LL-E-SSS0	3000	6000	± 0,8	200	1	199637	270	3405	6405	45,24	684
W-00-03000/06000-015-LL-E-SSS0			± 1,5		2		375			22,62	854
W-00-03000/06000-023-LL-E-SSS0			± 2,3		3		480			15,08	1025
W-00-03200/01600-002-LL-E-SSS0	3200	1600	± 0,2	80	1	55643	200	3365	1765	234	259
W-00-03200/01600-004-LL-E-SSS0			± 0,4		2		270			117	321
W-00-03200/01600-006-LL-E-SSS0			± 0,6		3		340			78,16	384
W-00-03200/01600-005-LL-E-SSS0	3200	1600	± 0,5	150	1	59240	270	3505	1905	42,17	406
W-00-03200/01600-011-LL-E-SSS0			± 1,1		2		375			21,08	504
W-00-03200/01600-016-LL-E-SSS0			± 1,6		3		480			14,06	601
W-00-03200/01600-007-LL-E-SSS0	3200	1600	± 0,7	200	1	61702	270	3605	2005	20,62	421
W-00-03200/01600-014-LL-E-SSS0			± 1,4		2		375			10,31	534
W-00-03200/01600-021-LL-E-SSS0			± 2,1		3		480			6,87	646
W-00-03500/03500-005-LL-E-SSS0	3500	3500	± 0,5	150	1	134225	270	3805	3805	84,99	538
W-00-03500/03500-010-LL-E-SSS0			± 1,0		2		375			42,49	660
W-00-03500/03500-015-LL-E-SSS0			± 1,5		3		480			28,33	782

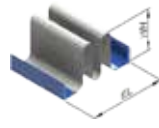
Angular, rectangular metallic expansion joint



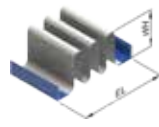
Compensator Properties	Design Temperature	≤ 530 °C
	Design Pressure	100 mbar
	Bellow Material	1.5415
	Corner Type	Double Miter
	Connection	Angle Flange
	Connection Material	1.5415
	Profile WH 80mm	L60x6
Profile WH 150/200mm	L80x8	
Cycles	≥ 1000	



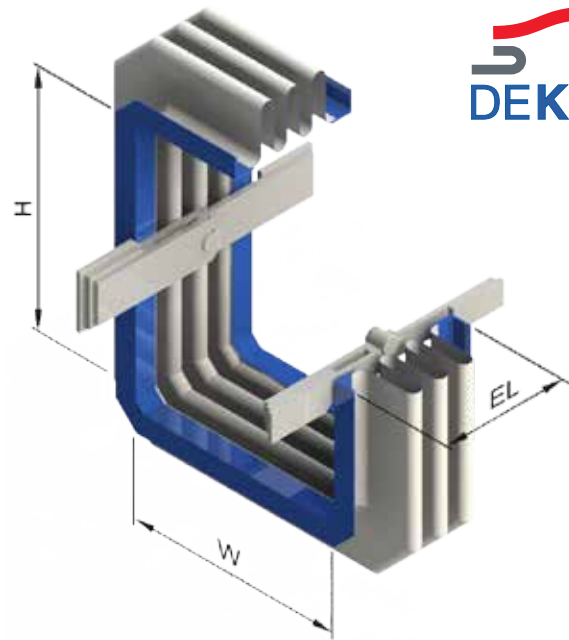
1 convolution



2 convolutions



3 convolutions

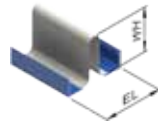


DEKOMTE Article Number	Clear Opening		Maximum Movement	Convolution Height WH	Number of Convolutions	Effective Area	Installation Length EL	Overall Dimension		Angular Adjustment Force	Weight
	Width W	Height H						Width	Height H		
	[mm]	[mm]						[mm]	[mm]		
W-00-03500/03500-007-LL-E-SSS0	3500	3500	± 0,7	200	1	137787	270	3905	3905	41,06	559
W-00-03500/03500-013-LL-E-SSS0			± 1,3		2		375			20,53	702
W-00-03500/03500-020-LL-E-SSS0			± 2,0		3		480			13,69	844
W-00-03500/07000-005-LL-E-SSS0	3500	7000	± 0,5	150	1	262588	270	3805	7305	146	748
W-00-03500/07000-010-LL-E-SSS0			± 1,0		2		375			73,05	908
W-00-03500/07000-015-LL-E-SSS0			± 1,5		3		480			48,70	1069
W-00-03500/07000-007-LL-E-SSS0	3500	7000	± 0,7	200	1	267900	270	3905	7405	70,19	778
W-00-03500/07000-013-LL-E-SSS0			± 1,3		2		375			35,10	969
W-00-03500/07000-020-LL-E-SSS0			± 2,0		3		480			23,40	1160
W-00-03600/01800-001-LL-E-SSS0	3600	1800	± 0,1	80	1	69804	200	3765	1965	331	281
W-00-03600/01800-003-LL-E-SSS0			± 0,3		2		270			165	348
W-00-03600/01800-005-LL-E-SSS0			± 0,5		3		340			110	414
W-00-03600/01800-010-LL-E-SSS0	3600	1800	± 1,0	150	2	73845	375	3905	2105	29,49	546
W-00-03600/01800-014-LL-E-SSS0			± 1,4		3		480			19,66	651
W-00-03600/01800-006-LL-E-SSS0			± 0,6		1		270			28,68	459
W-00-03600/01800-013-LL-E-SSS0	3600	1800	± 1,3	200	2	76607	375	4005	2205	14,34	580
W-00-03600/01800-019-LL-E-SSS0			± 1,9		3		480			9,56	700
W-00-04000/02000-001-LL-E-SSS0			± 0,1		1		200			450	303
W-00-04000/02000-003-LL-E-SSS0	4000	2000	± 0,3	80	2	85565	270	4165	2165	225	374
W-00-04000/02000-005-LL-E-SSS0			± 0,5		3		340			150	444
W-00-04000/02000-004-LL-E-SSS0			± 0,4		1		270			79,76	478
W-00-04000/02000-009-LL-E-SSS0	4000	2000	± 0,9	150	2	90050	375	4305	2305	39,88	589
W-00-04000/02000-013-LL-E-SSS0			± 1,3		3		480			26,59	700
W-00-04000/02000-006-LL-E-SSS0			± 0,6		1		270			38,61	496
W-00-04000/02000-011-LL-E-SSS0	4000	2000	± 1,1	200	2	93112	375	4405	2405	19,30	625
W-00-04000/02000-017-LL-E-SSS0			± 1,7		3		480			12,87	754
W-00-04000/04000-004-LL-E-SSS0			± 0,4		1		270			125	598
W-00-04000/04000-009-LL-E-SSS0	4000	4000	± 0,9	150	2	173400	375	4305	4305	62,46	731
W-00-04000/04000-013-LL-E-SSS0			± 1,3		3		480			41,64	864
W-00-04000/04000-006-LL-E-SSS0			± 0,6		200		1			177462	270

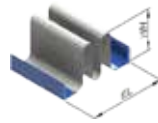
Angular, rectangular metallic expansion joint



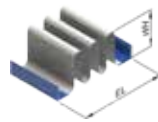
Compensator Properties	Design Temperature	≤ 530 °C
	Design Pressure	100 mbar
	Bellow Material	1.5415
	Corner Type	Double Miter
	Connection	Angle Flange
	Connection Material	1.5415
	Profile WH 80mm	L60x6
Profile WH 150/200mm	L80x8	
Cycles	≥ 1000	



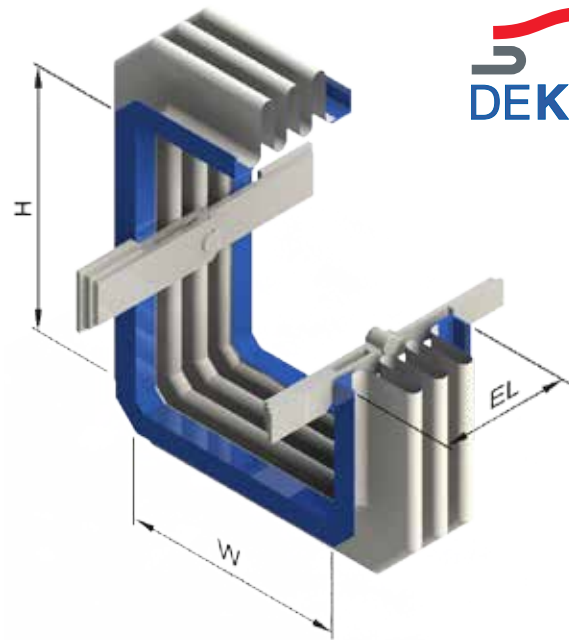
1 convolution



2 convolutions



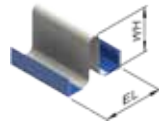
3 convolutions



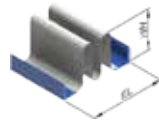
DEKOMTE Article Number	Clear Opening		Maximum Movement	Convolution Height WH	Number of Convolutions	Effective Area	Installation Length EL	Overall Dimension		Angular Adjustment Force	Weight
	Width W	Height H						Width	Height H		
	[mm]	[mm]						[mm]	[mm]		
W-00-04000/04000-011-LL-E-SSS0	4000	4000	± 1,1	200	2	177462	375	4405	4405	30,03	778
W-00-04000/04000-017-LL-E-SSS0			± 1,7		3		480			20,02	935
W-00-04000/08000-004-LL-E-SSS0	4000	8000	± 0,4	150	1	340100	270	4305	8305	215	837
W-00-04000/08000-009-LL-E-SSS0			± 0,9		2		375			108	1015
W-00-04000/08000-013-LL-E-SSS0			± 1,3		3		480			71,74	1192
W-00-04000/08000-006-LL-E-SSS0	4000	8000	± 0,6	200	1	346162	270	4405	8405	103	872
W-00-04000/08000-011-LL-E-SSS0			± 1,1		2		375			51,48	1084
W-00-04000/08000-017-LL-E-SSS0			± 1,7		3		480			34,32	1295
W-00-04400/02200-004-LL-E-SSS0	4400	2200	± 0,4	150	1	107855	270	4705	2505	105	514
W-00-04400/02200-008-LL-E-SSS0			± 0,8		2		375			52,46	632
W-00-04400/02200-012-LL-E-SSS0			± 1,2		3		480			34,98	749
W-00-04400/02200-005-LL-E-SSS0	4400	2200	± 0,5	200	1	111217	270	4805	2605	50,60	534
W-00-04400/02200-010-LL-E-SSS0			± 1,0		2		375			25,30	671
W-00-04400/02200-016-LL-E-SSS0			± 1,6		3		480			16,87	808
W-00-04500/04500-004-LL-E-SSS0	4500	4500	± 0,4	150	1	217575	270	4805	4805	176	658
W-00-04500/04500-008-LL-E-SSS0			± 0,8		2		375			87,86	802
W-00-04500/04500-011-LL-E-SSS0			± 1,1		3		480			58,57	946
W-00-04500/04500-005-LL-E-SSS0	4500	4500	± 0,5	200	1	222137	270	4905	4905	84,16	684
W-00-04500/04500-010-LL-E-SSS0			± 1,0		2		375			42,08	854
W-00-04500/04500-015-LL-E-SSS0			± 1,5		3		480			28,05	1025
W-00-04500/09000-004-LL-E-SSS0	4500	9000	± 0,4	150	1	427613	270	4805	9305	303	927
W-00-04500/09000-008-LL-E-SSS0			± 0,8		2		375			152	1121
W-00-04500/09000-011-LL-E-SSS0			± 1,1		3		480			101	1315
W-00-04500/09000-005-LL-E-SSS0	4500	9000	± 0,5	200	1	434425	270	4905	9405	145	966
W-00-04500/09000-010-LL-E-SSS0			± 1,0		2		375			72,30	1198
W-00-04500/09000-015-LL-E-SSS0			± 1,5		3		480			48,20	1430
W-00-04800/02400-004-LL-E-SSS0	4800	2400	± 0,4	150	1	127260	270	5105	2705	135	550
W-00-04800/02400-007-LL-E-SSS0			± 0,7		2		375			67,45	674
W-00-04800/02400-011-LL-E-SSS0			± 1,1		3		480			44,96	798
W-00-04800/02400-005-LL-E-SSS0	4800	2400	± 0,5	200	1	130922	270	5205	2805	64,85	571

Angular, rectangular metallic expansion joint

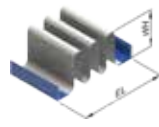
Compensator Properties	Design Temperature	≤ 530 °C
	Design Pressure	100 mbar
	Bellow Material	1.5415
	Corner Type	Double Miter
	Connection	Angle Flange
	Connection Material	1.5415
	Profile WH 80mm	L60x6
Profile WH 150/200mm	L80x8	
Cycles	≥ 1000	



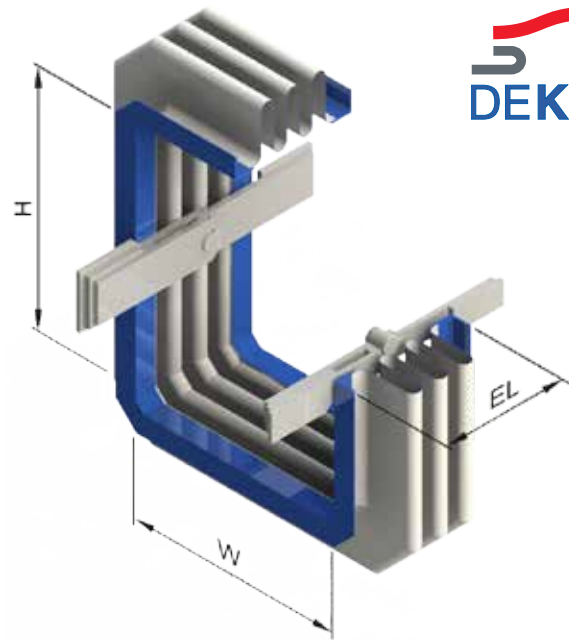
1 convolution



2 convolutions



3 convolutions

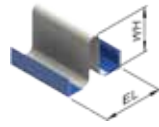


DEKOMTE Article Number	Clear Opening		Maximum Movement	Convolution Height WH	Number of Convolutions	Effective Area	Installation Length EL	Overall Dimension		Angular Adjustment Force	Weight
	Width W	Height H						Width	Height H		
	[mm]	[mm]						[mm]	[mm]		
W-00-04800/02400-010-LL-E-SSS0	4800	2400	± 1,0	200	2	130922	375	5205	2805	32,42	717
W-00-04800/02400-014-LL-E-SSS0			± 1,4		3		480			21,62	863
W-00-05000/05000-003-LL-E-SSS0	5000	5000	± 0,3	150	1	266750	270	5305	5305	239	718
W-00-05000/05000-007-LL-E-SSS0			± 0,7		2		375			119	873
W-00-05000/05000-010-LL-E-SSS0			± 1,0		3		480			79,57	1028
W-00-05000/05000-005-LL-E-SSS0	5000	5000	± 0,5	200	1	271812	270	5405	5405	114	747
W-00-05000/05000-009-LL-E-SSS0			± 0,9		2		375			56,99	931
W-00-05000/05000-014-LL-E-SSS0			± 1,4		3		480			37,99	1115
W-00-05000/10000-003-LL-E-SSS0	5000	10000	± 0,3	150	1	525125	270	5305	10305	413	1017
W-00-05000/10000-007-LL-E-SSS0			± 0,7		2		375			206	1228
W-00-05000/10000-010-LL-E-SSS0			± 1,0		3		480			138	1438
W-00-05000/10000-005-LL-E-SSS0	5000	10000	± 0,5	200	1	532687	270	5405	10405	196	1060
W-00-05000/10000-009-LL-E-SSS0			± 0,9		2		375			98,09	1313
W-00-05000/10000-014-LL-E-SSS0			± 1,4		3		480			65,39	1565
W-00-05200/02600-003-LL-E-SSS0	5200	2600	± 0,3	150	1	148265	270	5505	2905	170	586
W-00-05200/02600-007-LL-E-SSS0			± 0,7		2		375			85,04	717
W-00-05200/02600-010-LL-E-SSS0			± 1,0		3		480			56,69	847
W-00-05200/02600-004-LL-E-SSS0	5200	2600	± 0,4	200	1	152227	270	5605	3005	81,55	609
W-00-05200/02600-009-LL-E-SSS0			± 0,9		2		375			40,77	763
W-00-05200/02600-013-LL-E-SSS0			± 1,3		3		480			27,18	917
W-00-05500/05500-003-LL-E-SSS0	5500	5500	± 0,3	150	1	320925	270	5805	5805	315	777
W-00-05500/05500-006-LL-E-SSS0			± 0,6		2		375			158	944
W-00-05500/05500-009-LL-E-SSS0			± 0,9		3		480			105	1110
W-00-05500/05500-004-LL-E-SSS0	5500	5500	± 0,4	200	1	326487	270	5905	5905	150	809
W-00-05500/05500-008-LL-E-SSS0			± 0,8		2		375			75,06	1007
W-00-05500/05500-012-LL-E-SSS0			± 1,2		3		480			50,04	1205
W-00-05500/11000-003-LL-E-SSS0	5500	11000	± 0,3	150	1	632638	270	5805	11305	545	1107
W-00-05500/11000-006-LL-E-SSS0			± 0,6		2		375			273	1334
W-00-05500/11000-009-LL-E-SSS0			± 0,9		3		480			182	1561
W-00-05500/11000-004-LL-E-SSS0	5500	11000	± 0,4	200	1	640950	270	5905	11405	259	1153

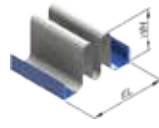
Angular, rectangular metallic expansion joint



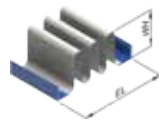
Compensator Properties	Design Temperature	≤ 530 °C
	Design Pressure	100 mbar
	Bellow Material	1.5415
	Corner Type	Double Miter
	Connection	Angle Flange
	Connection Material	1.5415
Profile WH 80mm	L60x6	
Profile WH 150/200mm	L80x8	
Cycles	≥ 1000	



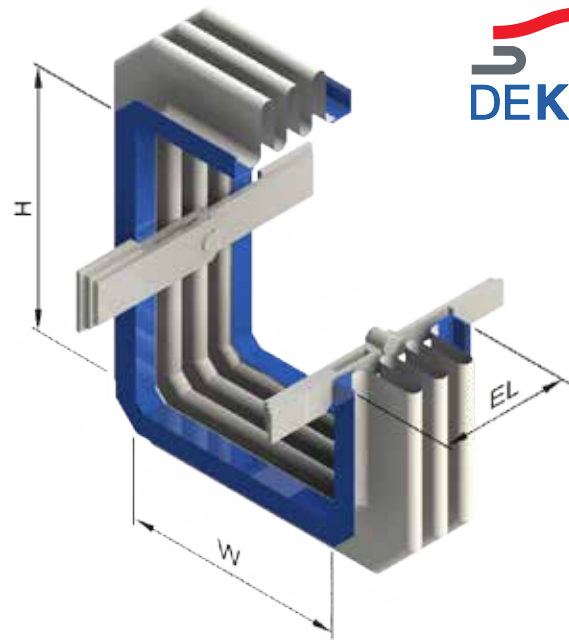
1 convolution



2 convolutions



3 convolutions

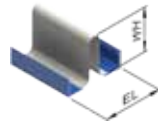


DEKOMTE Article Number	Clear Opening		Maximum Movement	Convolution Height WH	Number of Convolutions	Effective Area	Installation Length EL	Overall Dimension		Angular Adjustment Force	Weight
	Width W	Height H						Width	Height H		
	[mm]	[mm]						[mm]	[mm]		
W-00-05500/11000-008-LL-E-SSS0	5500	11000	± 0,8	200	2	640950	375	5905	11405	129	1427
W-00-05500/11000-012-LL-E-SSS0			± 1,2		3		480			86,25	1700
W-00-05600/02800-003-LL-E-SSS0	5600	2800	± 0,3	150	1	170870	270	5905	3105	211	622
W-00-05600/02800-006-LL-E-SSS0			± 0,6		2		375			105	759
W-00-05600/02800-009-LL-E-SSS0			± 0,9		3		480			70,30	897
W-00-05600/02800-004-LL-E-SSS0	5600	2800	± 0,4	200	1	175132	270	6005	3205	101	646
W-00-05600/02800-008-LL-E-SSS0			± 0,8		2		375			50,45	809
W-00-05600/02800-012-LL-E-SSS0			± 1,2		3		480			33,63	971
W-00-06000/03000-003-LL-E-SSS0	6000	3000	± 0,3	150	1	195075	270	6305	3305	258	658
W-00-06000/03000-006-LL-E-SSS0			± 0,6		2		375			129	802
W-00-06000/03000-009-LL-E-SSS0			± 0,9		3		480			85,93	946
W-00-06000/03000-004-LL-E-SSS0	6000	3000	± 0,4	200	1	199637	270	6405	3405	123	684
W-00-06000/03000-008-LL-E-SSS0			± 0,8		2		375			61,54	854
W-00-06000/03000-011-LL-E-SSS0			± 1,1		3		480			41,03	1025
W-00-06000/06000-003-LL-E-SSS0	6000	6000	± 0,3	150	1	380100	270	6305	6305	407	837
W-00-06000/06000-006-LL-E-SSS0			± 0,6		2		375			203	1015
W-00-06000/06000-009-LL-E-SSS0			± 0,9		3		480			136	1192
W-00-06000/06000-004-LL-E-SSS0	6000	6000	± 0,4	200	1	386162	270	6405	6405	193	872
W-00-06000/06000-008-LL-E-SSS0			± 0,8		2		375			96,60	1084
W-00-06000/06000-011-LL-E-SSS0			± 1,1		3		480			64,40	1295
W-00-06000/12000-003-LL-E-SSS0	6000	12000	± 0,3	150	1	750150	270	6305	12305	704	1197
W-00-06000/12000-006-LL-E-SSS0			± 0,6		2		375			352	1441
W-00-06000/12000-009-LL-E-SSS0			± 0,9		3		480			235	1684
W-00-06000/12000-004-LL-E-SSS0	6000	12000	± 0,4	200	1	759212	270	6405	12405	333	1247
W-00-06000/12000-008-LL-E-SSS0			± 0,8		2		375			167	1542
W-00-06000/12000-011-LL-E-SSS0			± 1,1		3		480			111	1836
W-00-06500/06500-003-LL-E-SSS0	6500	6500	± 0,3	150	1	444275	270	6805	6805	514	897
W-00-06500/06500-005-LL-E-SSS0			± 0,5		2		375			257	1086
W-00-06500/06500-008-LL-E-SSS0			± 0,8		3		480			171	1274
W-00-06500/06500-004-LL-E-SSS0	6500	6500	± 0,4	200	1	450837	270	6905	6905	244	934

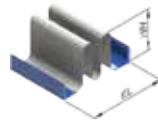
Angular, rectangular metallic expansion joint



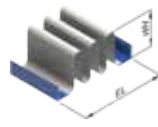
Compensator Properties	Design Temperature	≤ 530 °C
	Design Pressure	100 mbar
	Bellow Material	1.5415
	Corner Type	Double Miter
	Connection	Angle Flange
	Connection Material	1.5415
Profile WH 80mm	L60x6	
Profile WH 150/200mm	L80x8	
Cycles	≥ 1000	



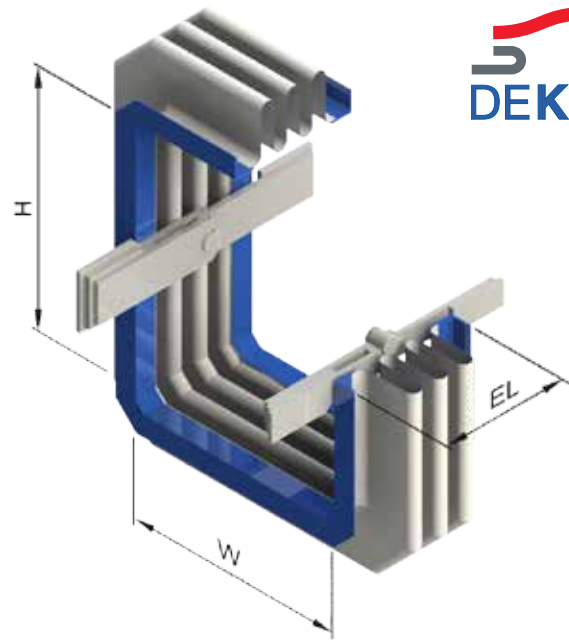
1 convolution



2 convolutions



3 convolutions

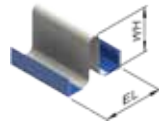


DEKOMTE Article Number	Clear Opening		Maximum Movement	Convolution Height WH	Number of Convolutions	Effective Area	Installation Length EL	Overall Dimension		Angular Adjustment Force	Weight
	Width W	Height H						Width	Height H		
	[mm]	[mm]						[mm]	[mm]		
W-00-06500/06500-007-LL-E-SSS0	6500	6500	± 0,7	200	2	450837	375	6905	6905	122	1160
W-00-06500/06500-011-LL-E-SSS0			± 1,1		3		480			81,27	1385
W-00-06500/13000-003-LL-E-SSS0	6500	13000	± 0,3	150	1	877663	270	6805	13305	891	1287
W-00-06500/13000-005-LL-E-SSS0			± 0,5		2		375			445	1547
W-00-06500/13000-008-LL-E-SSS0			± 0,8		3		480			297	1807
W-00-06500/13000-004-LL-E-SSS0	6500	13000	± 0,4	200	1	887475	270	6905	13405	421	1341
W-00-06500/13000-007-LL-E-SSS0			± 0,7		2		375			211	1656
W-00-06500/13000-011-LL-E-SSS0			± 1,1		3		480			140	1971
W-00-07000/03500-002-LL-E-SSS0	7000	3500	± 0,2	150	1	262588	270	7305	3805	404	748
W-00-07000/03500-005-LL-E-SSS0			± 0,5		2		375			202	908
W-00-07000/03500-003-LL-E-SSS0	7000	3500	± 0,3	200	1	267900	270	7405	3905	192	778
W-00-07000/03500-007-LL-E-SSS0			± 0,7		2		375			96,13	969
W-00-07000/03500-010-LL-E-SSS0			± 1,0		3		480			64,08	1160
W-00-07000/07000-002-LL-E-SSS0	7000	7000	± 0,2	150	1	513450	270	7305	7305	639	957
W-00-07000/07000-005-LL-E-SSS0			± 0,5		2		375			319	1157
W-00-07000/07000-003-LL-E-SSS0	7000	7000	± 0,3	200	1	520512	270	7405	7405	303	997
W-00-07000/07000-007-LL-E-SSS0			± 0,7		2		375			151	1236
W-00-07000/07000-010-LL-E-SSS0			± 1,0		3		480			101	1475
W-00-07000/14000-002-LL-E-SSS0	7000	14000	± 0,2	150	1	1015175	270	7305	14305	1108	1377
W-00-07000/14000-005-LL-E-SSS0			± 0,5		2		375			554	1654
W-00-07000/14000-003-LL-E-SSS0	7000	14000	± 0,3	200	1	1025737	270	7405	14405	523	1435
W-00-07000/14000-007-LL-E-SSS0			± 0,7		2		375			262	1771
W-00-07000/14000-010-LL-E-SSS0			± 1,0		3		480			174	2106
W-00-07500/07500-002-LL-E-SSS0	7500	7500	± 0,2	150	1	587625	270	7805	7805	782	1017
W-00-07500/07500-005-LL-E-SSS0			± 0,5		2		375			391	1228
W-00-07500/07500-007-LL-E-SSS0			± 0,7		3		480			261	1438
W-00-07500/07500-003-LL-E-SSS0	7500	7500	± 0,3	200	1	595187	270	7905	7905	370	1060
W-00-07500/07500-006-LL-E-SSS0			± 0,6		2		375			185	1313
W-00-07500/07500-009-LL-E-SSS0			± 0,9		3		480			123	1565
W-00-07500/15000-002-LL-E-SSS0	7500	15000	± 0,2	150	1	1162688	270	7805	15305	1358	1466

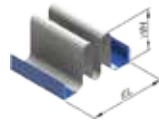
Angular, rectangular metallic expansion joint



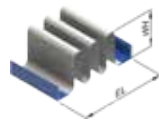
Compensator Properties	Design Temperature	≤ 530 °C
	Design Pressure	100 mbar
	Bellow Material	1.5415
	Corner Type	Double Miter
	Connection	Angle Flange
	Connection Material	1.5415
	Profile WH 80mm	L60x6
Profile WH 150/200mm	L80x8	
Cycles	≥ 1000	



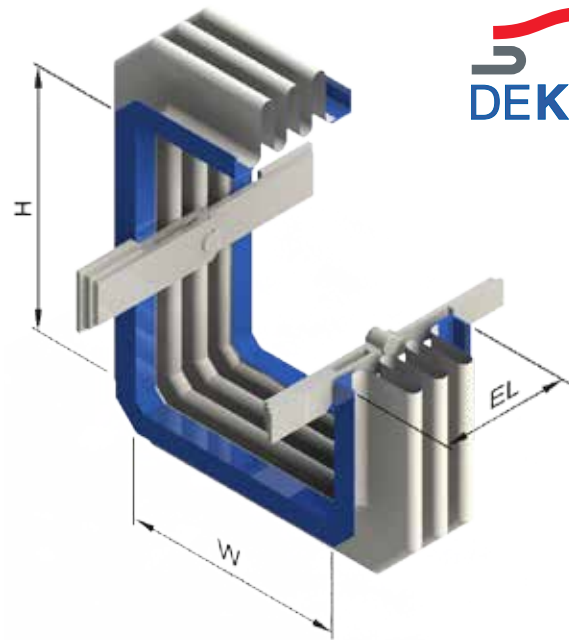
1 convolution



2 convolutions



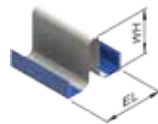
3 convolutions



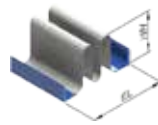
DEKOMTE Article Number	Clear Opening		Maximum Movement	Convolution Height WH	Number of Convolutions	Effective Area	Installation Length EL	Overall Dimension		Angular Adjustment Force	Weight
	Width W	Height H						Width	Height H		
	[mm]	[mm]						[mm]	[mm]		
W-00-07500/15000-005-LL-E-SSS0	7500	15000	± 0,5	150	2	1162688	375	7805	15305	679	1760
W-00-07500/15000-007-LL-E-SSS0			± 0,7		3		480			453	2053
W-00-07500/15000-003-LL-E-SSS0	7500	15000	± 0,3	200	1	1174000	270	7905	15405	640	1529
W-00-07500/15000-006-LL-E-SSS0			± 0,6		2		375			320	1885
W-00-07500/15000-009-LL-E-SSS0			± 0,9		3		480			213	2241
W-00-08000/04000-002-LL-E-SSS0	8000	4000	± 0,2	150	1	340100	270	8305	4305	598	837
W-00-08000/04000-004-LL-E-SSS0			± 0,4		2		375			299	1015
W-00-08000/04000-003-LL-E-SSS0	8000	4000	± 0,3	200	1	346162	270	8405	4405	283	872
W-00-08000/04000-006-LL-E-SSS0			± 0,6		2		375			142	1084
W-00-08000/04000-009-LL-E-SSS0			± 0,9		3		480			94,48	1295
W-00-08000/08000-002-LL-E-SSS0	8000	8000	± 0,2	150	1	666800	270	8305	8305	946	1077
W-00-08000/08000-004-LL-E-SSS0			± 0,4		2		375			473	1299
W-00-08000/08000-003-LL-E-SSS0	8000	8000	± 0,3	200	1	674862	270	8405	8405	447	1122
W-00-08000/08000-006-LL-E-SSS0			± 0,6		2		375			223	1389
W-00-08000/08000-009-LL-E-SSS0			± 0,9		3		480			149	1655
W-00-08000/16000-002-LL-E-SSS0	8000	16000	± 0,2	150	1	1320200	270	8305	16305	1643	1556
W-00-08000/16000-004-LL-E-SSS0			± 0,4		2		375			821	1866
W-00-08000/16000-003-LL-E-SSS0	8000	16000	± 0,3	200	1	1332262	270	8405	16405	774	1623
W-00-08000/16000-006-LL-E-SSS0			± 0,6		2		375			387	2000
W-00-08000/16000-009-LL-E-SSS0			± 0,9		3		480			258	2376
W-00-08500/08500-002-LL-E-SSS0	8500	8500	± 0,2	150	1	750975	270	8805	8805	1131	1137
W-00-08500/08500-004-LL-E-SSS0			± 0,4		2		375			566	1370
W-00-08500/08500-006-LL-E-SSS0			± 0,6		3		480			377	1602
W-00-08500/08500-003-LL-E-SSS0	8500	8500	± 0,3	200	1	759537	270	8905	8905	534	1185
W-00-08500/08500-005-LL-E-SSS0			± 0,5		2		375			267	1465
W-00-08500/08500-008-LL-E-SSS0			± 0,8		3		480			178	1746
W-00-08500/17000-002-LL-E-SSS0	8500	17000	± 0,2	150	1	1487713	270	8805	17305	1965	1646
W-00-08500/17000-004-LL-E-SSS0			± 0,4		2		375			982	1973
W-00-08500/17000-006-LL-E-SSS0			± 0,6		3		480			655	2300
W-00-08500/17000-003-LL-E-SSS0	8500	17000	± 0,3	200	1	1500525	270	8905	17405	925	1717

Angular, rectangular metallic expansion joint

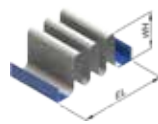
Compensator Properties	Design Temperature	≤ 530 °C
	Design Pressure	100 mbar
	Bellow Material	1.5415
	Corner Type	Double Miter
	Connection	Angle Flange
	Connection Material	1.5415
Profile WH 80mm	L60x6	
Profile WH 150/200mm	L80x8	
Cycles	≥ 1000	



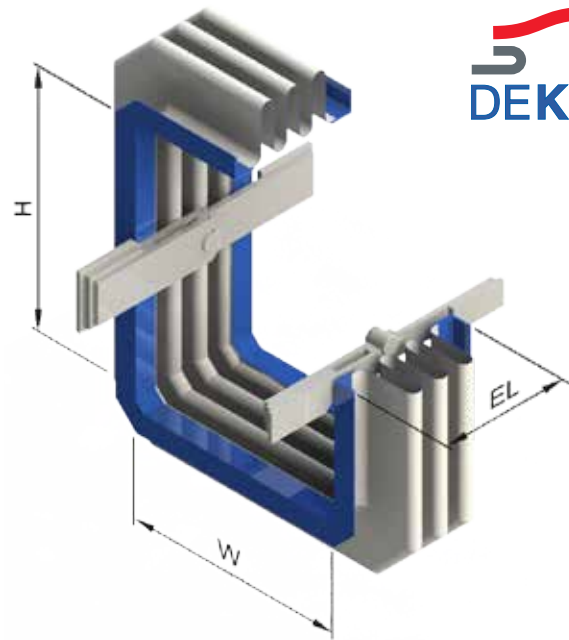
1 convolution



2 convolutions



3 convolutions

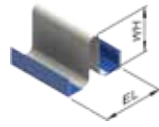


DEKOMTE Article Number	Clear Opening		Maximum Movement	Convolution Height WH	Number of Convolutions	Effective Area	Installation Length EL	Overall Dimension		Angular Adjustment Force	Weight
	Width W	Height H						Width	Height H		
	[mm]	[mm]						[mm]	[mm]		
W-00-08500/17000-005-LL-E-SSS0	8500	17000	± 0,5	200	2	1500525	375	8905	17405	462	2114
W-00-08500/17000-008-LL-E-SSS0			± 0,8		3		480			308	2511
W-00-09000/04500-002-LL-E-SSS0	9000	4500	± 0,2	150	1	427613	270	9305	4805	845	927
W-00-09000/04500-004-LL-E-SSS0			± 0,4		2		375			423	1121
W-00-09000/04500-006-LL-E-SSS0			± 0,6		3		480			282	1315
W-00-09000/04500-003-LL-E-SSS0	9000	4500	± 0,3	200	1	434425	270	9405	4905	400	966
W-00-09000/04500-005-LL-E-SSS0			± 0,5		2		375			200	1198
W-00-09000/04500-008-LL-E-SSS0			± 0,8		3		480			133	1430
W-00-09000/09000-002-LL-E-SSS0	9000	9000	± 0,2	150	1	840150	270	9305	9305	1339	1197
W-00-09000/09000-004-LL-E-SSS0			± 0,4		2		375			669	1441
W-00-09000/09000-006-LL-E-SSS0			± 0,6		3		480			446	1684
W-00-09000/09000-003-LL-E-SSS0	9000	9000	± 0,3	200	1	849212	270	9405	9405	631	1247
W-00-09000/09000-005-LL-E-SSS0			± 0,5		2		375			316	1542
W-00-09000/09000-008-LL-E-SSS0			± 0,8		3		480			210	1836
W-00-09000/18000-002-LL-E-SSS0	9000	18000	± 0,2	150	1	1665225	270	9305	18305	2327	1736
W-00-09000/18000-004-LL-E-SSS0			± 0,4		2		375			1163	2079
W-00-09000/18000-006-LL-E-SSS0			± 0,6		3		480			776	2423
W-00-09000/18000-003-LL-E-SSS0	9000	18000	± 0,3	200	1	1678787	270	9405	18405	1094	1811
W-00-09000/18000-005-LL-E-SSS0			± 0,5		2		375			547	2229
W-00-09000/18000-008-LL-E-SSS0			± 0,8		3		480			365	2647
W-00-09500/09500-002-LL-E-SSS0	9500	9500	± 0,2	150	1	934325	270	9805	9805	1571	1257
W-00-09500/09500-004-LL-E-SSS0			± 0,4		2		375			785	1512
W-00-09500/09500-005-LL-E-SSS0	9500	9500	± 0,5	200	2	943887	375	9905	9905	370	1618
W-00-09500/09500-007-LL-E-SSS0			± 0,7		3		480			247	1926
W-00-09500/19000-002-LL-E-SSS0	9500	19000	± 0,2	150	1	1852738	270	9805	19305	2730	1826
W-00-09500/19000-004-LL-E-SSS0			± 0,4		2		375			1365	2186
W-00-09500/19000-005-LL-E-SSS0	9500	19000	± 0,5	200	2	1867050	375	9905	19405	642	2343
W-00-09500/19000-007-LL-E-SSS0			± 0,7		3		480			428	2782
W-00-10000/05000-002-LL-E-SSS0	10000	5000	± 0,2	150	1	525125	270	10305	5305	1152	1017
W-00-10000/05000-003-LL-E-SSS0			± 0,3		2		375			576	1228

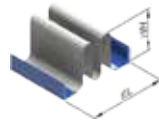
Angular, rectangular metallic expansion joint



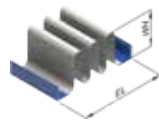
Compensator Properties	Design Temperature	≤ 530 °C
	Design Pressure	100 mbar
	Bellow Material	1.5415
	Corner Type	Double Miter
	Connection	Angle Flange
	Connection Material	1.5415
	Profile WH 80mm	L60x6
Profile WH 150/200mm	L80x8	
Cycles	≥ 1000	



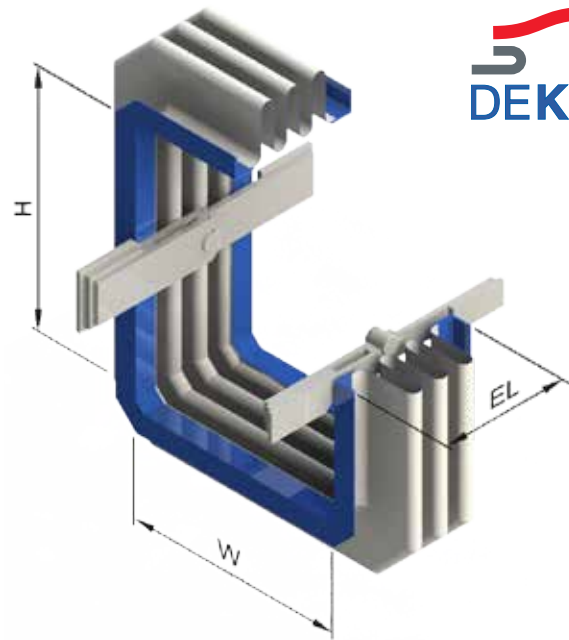
1 convolution



2 convolutions



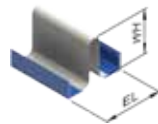
3 convolutions



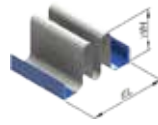
DEKOMTE Article Number	Clear Opening		Maximum Movement	Convolution Height WH	Number of Convolutions	Effective Area	Installation Length EL	Overall Dimension		Angular Adjustment Force	Weight
	Width W	Height H						Width	Height H		
	[mm]	[mm]						[mm]	[mm]		
W-00-10000/05000-005-LL-E-SSS0	10000	5000	± 0,5	200	2	532687	375	10405	5405	272	1313
W-00-10000/05000-007-LL-E-SSS0			± 0,7		3		480			181	1565
W-00-10000/10000-002-LL-E-SSS0	10000	10000	± 0,2	150	1	1033500	270	10305	10305	1828	1317
W-00-10000/10000-003-LL-E-SSS0			± 0,3		2		375			914	1583
W-00-10000/10000-005-LL-E-SSS0	10000	10000	± 0,5	200	2	1043562	375	10405	10405	430	1694
W-00-10000/10000-007-LL-E-SSS0			± 0,7		3		480			287	2016
W-00-10000/20000-002-LL-E-SSS0	10000	20000	± 0,2	150	1	2050250	270	10305	20305	3178	1916
W-00-10000/20000-003-LL-E-SSS0			± 0,3		2		375			1589	2292
W-00-10000/20000-005-LL-E-SSS0	10000	20000	± 0,5	200	2	2065312	375	10405	20405	746	2458
W-00-10000/20000-007-LL-E-SSS0			± 0,7		3		480			498	2917
W-00-11000/05500-002-LL-E-SSS0	11000	5500	± 0,2	150	1	632638	270	11305	5805	1526	1107
W-00-11000/05500-003-LL-E-SSS0			± 0,3		2		375			763	1334
W-00-11000/05500-005-LL-E-SSS0			± 0,5		3		480			509	1561
W-00-11000/05500-004-LL-E-SSS0	11000	5500	± 0,4	200	2	640950	375	11405	5905	360	1427
W-00-11000/05500-006-LL-E-SSS0			± 0,6		3		480			240	1700
W-00-12000/06000-001-LL-E-SSS0	12000	6000	± 0,1	150	1	750150	270	12305	6305	1974	1197
W-00-12000/06000-003-LL-E-SSS0			± 0,3		2		375			987	1441
W-00-12000/06000-002-LL-E-SSS0	12000	6000	± 0,2	200	1	759212	270	12405	6405	929	1247
W-00-12000/06000-004-LL-E-SSS0			± 0,4		2		375			465	1542
W-00-12000/06000-006-LL-E-SSS0			± 0,6		3		480			310	1836
W-00-13000/06500-001-LL-E-SSS0	13000	6500	± 0,1	150	1	877663	270	13305	6805	2501	1287
W-00-13000/06500-003-LL-E-SSS0			± 0,3		2		375			1250	1547
W-00-13000/06500-002-LL-E-SSS0	13000	6500	± 0,2	200	1	887475	270	13405	6905	1176	1341
W-00-13000/06500-004-LL-E-SSS0			± 0,4		2		375			588	1656
W-00-13000/06500-005-LL-E-SSS0			± 0,5		3		480			392	1971
W-00-14000/07000-001-LL-E-SSS0	14000	7000	± 0,1	150	1	1015175	270	14305	7305	3114	1377
W-00-14000/07000-004-LL-E-SSS0			± 0,4		3		480			1038	1930
W-00-14000/07000-002-LL-E-SSS0	14000	7000	± 0,2	200	1	1025737	270	14405	7405	1463	1435
W-00-14000/07000-003-LL-E-SSS0			± 0,3		2		375			731	1771
W-00-14000/07000-005-LL-E-SSS0			± 0,5		3		480			488	2106

Angular, rectangular metallic expansion joint

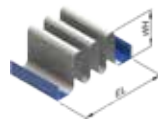
Compensator Properties	Design Temperature	≤ 530 °C
	Design Pressure	100 mbar
	Bellow Material	1.5415
	Corner Type	Double Miter
	Connection	Angle Flange
	Connection Material	1.5415
Profile WH 80mm	L60x6	
Profile WH 150/200mm	L80x8	
Cycles	≥ 1000	



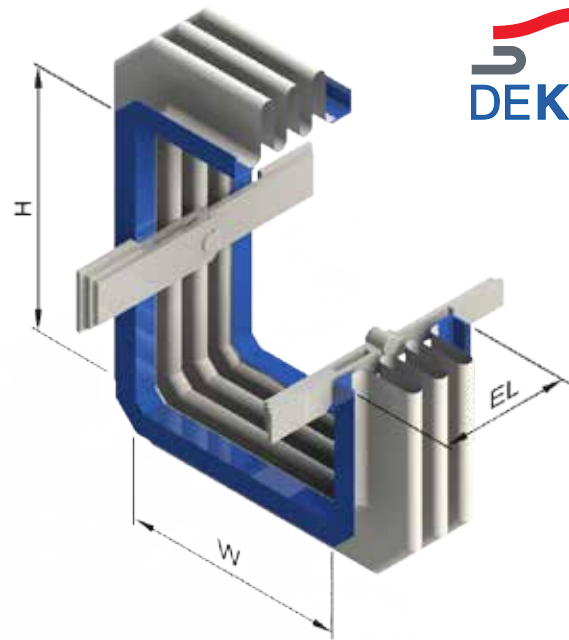
1 convolution



2 convolutions



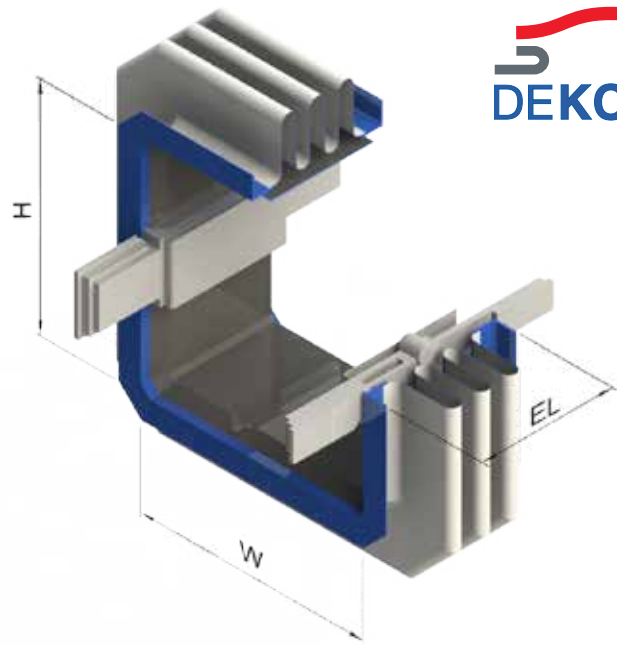
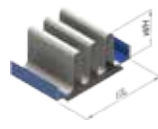
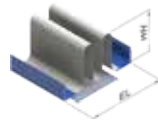
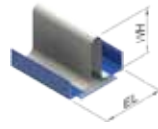
3 convolutions



DEKOMTE Article Number	Clear Opening		Maximum Movement	Convolution Height WH	Number of Convolutions	Effective Area	Installation Length EL	Overall Dimension		Angular Adjustment Force	Weight
	Width W	Height H						Width	Height H		
	[mm]	[mm]						[mm]	[mm]		
W-00-15000/07500-001-LL-E-SSS0	15000	7500	± 0,1	150	1	1162688	270	15305	7805	3821	1466
W-00-15000/07500-002-LL-E-SSS0	15000	7500	± 0,2	200	1	1174000	270	15405	7905	1793	1529
W-00-15000/07500-003-LL-E-SSS0			± 0,3		2		375			897	1885
W-00-15000/07500-005-LL-E-SSS0			± 0,5		3		480			598	2241
W-00-16000/08000-001-LL-E-SSS0	16000	8000	± 0,1	150	1	1320200	270	16305	8305	4627	1556
W-00-16000/08000-002-LL-E-SSS0			± 0,2		2		375			2313	1866
W-00-16000/08000-003-LL-E-SSS0	16000	8000	± 0,3	200	2	1332262	375	16405	8405	1085	2000
W-00-16000/08000-004-LL-E-SSS0			± 0,4		3		480			723	2376
W-00-17000/08500-001-LL-E-SSS0	17000	8500	± 0,1	150	1	1487713	270	17305	8805	5539	1646
W-00-17000/08500-002-LL-E-SSS0			± 0,2		2		375			2769	1973
W-00-17000/08500-003-LL-E-SSS0	17000	8500	± 0,3	200	2	1500525	375	17405	8905	1298	2114
W-00-17000/08500-004-LL-E-SSS0			± 0,4		3		480			865	2511
W-00-18000/09000-001-LL-E-SSS0	18000	9000	± 0,1	150	1	1665225	270	18305	9305	6563	1736
W-00-18000/09000-002-LL-E-SSS0			± 0,2		2		375			3282	2079
W-00-18000/09000-003-LL-E-SSS0	18000	9000	± 0,3	200	2	1678787	375	18405	9405	1537	2229
W-00-18000/09000-004-LL-E-SSS0			± 0,4		3		480			1025	2647
W-00-19000/09500-001-LL-E-SSS0	19000	9500	± 0,1	150	1	1852738	270	19305	9805	7707	1826
W-00-19000/09500-002-LL-E-SSS0			± 0,2		2		375			3854	2186
W-00-19000/09500-003-LL-E-SSS0			± 0,3		3		480			2569	2546
W-00-19000/09500-004-LL-E-SSS0	19000	9500	± 0,4	200	3	1867050	480	19405	9905	1203	2782
W-00-20000/10000-001-LL-E-SSS0	20000	10000	± 0,1	150	1	2050250	270	20305	10305	8977	1916
W-00-20000/10000-002-LL-E-SSS0			± 0,2		2		375			4488	2292
W-00-20000/10000-003-LL-E-SSS0			± 0,3		3		480			2992	2669

Angular, rectangular metallic expansion joint

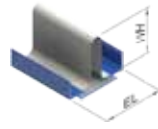
Compensator Properties	Design Temperature	≤ 530 °C
	Design Pressure	100 mbar
	Bellow Material	1.5415
	Corner Type	Double Miter
	Connection	Angle Flange
	Connection Material	1.5415
	Profile WH 80mm	L60x6
Profile WH 150/200mm	L80x8	
Sleeve Material	1.5415	
Thickness WH 80mm	3 mm	
Thickness WH 150/200mm	5 mm	
Cycles	≥ 1000	



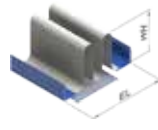
DEKOMTE Article Number	Clear Opening		Maximum Movement	Convolution Height WH	Number of Convolutions	Effective Area	Installation Length EL	Overall Dimension		Angular Adjustment Force	Weight
	Width W	Height H						Width	Height H		
	[mm]	[mm]						[mm]	[mm]		
W-00-00300/00300-019-LL-E-L-SSS0S	300	300	± 1,9	80	1	1416	200	465	465	0,57	110
W-00-00300/00300-038-LL-E-L-SSS0S			± 3,8		2		270			0,29	146
W-00-00300/00300-058-LL-E-L-SSS0S			± 5,8		3		340			0,19	182
W-00-00300/00600-019-LL-E-L-SSS0S	300	600	± 1,9	80	1	2597	200	465	765	0,92	124
W-00-00300/00600-038-LL-E-L-SSS0S			± 3,8		2		270			0,46	162
W-00-00300/00600-058-LL-E-L-SSS0S			± 5,8		3		340			0,31	202
W-00-00400/00400-015-LL-E-L-SSS0S	400	400	± 1,5	80	1	2303	200	565	565	1,16	119
W-00-00400/00400-030-LL-E-L-SSS0S			± 3,0		2		270			0,58	157
W-00-00400/00400-045-LL-E-L-SSS0S			± 4,5		3		340			0,39	195
W-00-00400/00800-015-LL-E-L-SSS0S	400	800	± 1,5	80	1	4277	200	565	965	1,88	137
W-00-00400/00800-030-LL-E-L-SSS0S			± 3,0		2		270			0,94	179
W-00-00400/00800-045-LL-E-L-SSS0S			± 4,5		3		340			0,63	221
W-00-00500/00500-012-LL-E-L-SSS0S	500	500	± 1,2	80	1	3390	200	665	665	2,04	128
W-00-00500/00500-025-LL-E-L-SSS0S			± 2,5		2		270			1,02	168
W-00-00500/00500-038-LL-E-L-SSS0S			± 3,8		3		340			0,68	208
W-00-00500/00500-033-LL-E-L-SSS0S	500	500	± 3,3	150	1	4175	270	805	805	0,48	198
W-00-00500/00500-066-LL-E-L-SSS0S			± 6,6		2		375			0,24	263
W-00-00500/00500-099-LL-E-L-SSS0S			± 9,9		3		480			0,16	328
W-00-00500/00500-044-LL-E-L-SSS0S	500	500	± 4,4	200	1	4737	270	905	905	0,28	203
W-00-00500/00500-088-LL-E-L-SSS0S			± 8,8		2		375			0,14	273
W-00-00500/00500-132-LL-E-L-SSS0S			± 13,2		3		480			0,09	342
W-00-00500/01000-012-LL-E-L-SSS0S	500	1000	± 1,2	80	1	6358	200	665	1165	3,37	150
W-00-00500/01000-025-LL-E-L-SSS0S			± 2,5		2		270			1,68	196
W-00-00500/01000-038-LL-E-L-SSS0S			± 3,8		3		340			1,12	241
W-00-00500/01000-033-LL-E-L-SSS0S	500	1000	± 3,3	150	1	7513	270	805	1305	0,76	238
W-00-00500/01000-066-LL-E-L-SSS0S			± 6,6		2		375			0,38	313
W-00-00500/01000-099-LL-E-L-SSS0S			± 9,9		3		480			0,25	388
W-00-00500/01000-044-LL-E-L-SSS0S	500	1000	± 4,4	200	1	8325	270	905	1405	0,43	244
W-00-00500/01000-088-LL-E-L-SSS0S			± 8,8		2		375			0,21	325
W-00-00500/01000-132-LL-E-L-SSS0S			± 13,2		3		480			0,14	406

Angular, rectangular metallic expansion joint

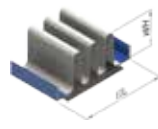
Compensator Properties	Design Temperature	≤ 530 °C
	Design Pressure	100 mbar
	Bellow Material	1.5415
	Corner Type	Double Miter
	Connection	Angle Flange
	Connection Material	1.5415
	Profile WH 80mm	L60x6
Profile WH 150/200mm	L80x8	
Sleeve Material	1.5415	
Thickness WH 80mm	3 mm	
Thickness WH 150/200mm	5 mm	
Cycles	≥ 1000	



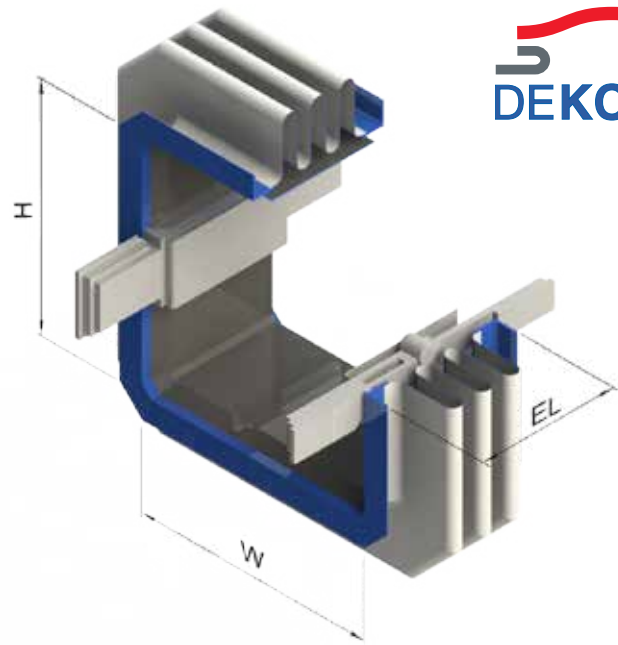
1 convolution



2 convolutions



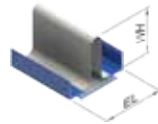
3 convolutions



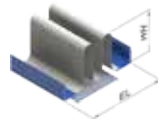
DEKOMTE Article Number	Clear Opening		Maximum Movement	Convolution Height WH	Number of Convolutions	Effective Area	Installation Length EL	Overall Dimension		Angular Adjustment Force	Weight
	Width W	Height H						Width	Height H		
	[mm]	[mm]						[mm]	[mm]		
W-00-00600/00300-010-LL-E-L-SSS0S	600	300	± 1,0	80	1	2597	200	765	465	2,20	124
W-00-00600/00300-021-LL-E-L-SSS0S			± 2,1		2		270			1,10	162
W-00-00600/00300-032-LL-E-L-SSS0S			± 3,2		3		340			0,73	202
W-00-00600/00600-010-LL-E-L-SSS0S	600	600	± 1,0	80	1	4677	200	765	765	3,29	137
W-00-00600/00600-021-LL-E-L-SSS0S			± 2,1		2		270			1,65	179
W-00-00600/00600-032-LL-E-L-SSS0S			± 3,2		3		340			1,10	221
W-00-00600/00600-028-LL-E-L-SSS0S	600	600	± 2,8	150	1	5610	270	905	905	0,74	214
W-00-00600/00600-056-LL-E-L-SSS0S			± 5,6		2		375			0,37	283
W-00-00600/00600-085-LL-E-L-SSS0S			± 8,5		3		480			0,25	352
W-00-00600/00600-038-LL-E-L-SSS0S	600	600	± 3,8	200	1	6272	270	1005	1005	0,42	219
W-00-00600/00600-075-LL-E-L-SSS0S			± 7,5		2		375			0,21	294
W-00-00600/00600-113-LL-E-L-SSS0S			± 11,3		3		480			0,14	368
W-00-00600/01200-010-LL-E-L-SSS0S	600	1200	± 1,0	80	1	8838	200	765	1365	5,48	164
W-00-00600/01200-021-LL-E-L-SSS0S			± 2,1		2		270			2,74	212
W-00-00600/01200-032-LL-E-L-SSS0S			± 3,2		3		340			1,83	261
W-00-00600/01200-028-LL-E-L-SSS0S	600	1200	± 2,8	150	1	10215	270	905	1505	1,18	262
W-00-00600/01200-056-LL-E-L-SSS0S			± 5,6		2		375			0,59	343
W-00-00600/01200-085-LL-E-L-SSS0S			± 8,5		3		480			0,39	424
W-00-00600/01200-038-LL-E-L-SSS0S	600	1200	± 3,8	200	1	11177	270	1005	1605	0,65	269
W-00-00600/01200-075-LL-E-L-SSS0S			± 7,5		2		375			0,32	357
W-00-00600/01200-113-LL-E-L-SSS0S			± 11,3		3		480			0,22	444
W-00-00700/00700-009-LL-E-L-SSS0S	700	700	± 0,9	80	1	6164	200	865	865	4,97	146
W-00-00700/00700-018-LL-E-L-SSS0S			± 1,8		2		270			2,49	190
W-00-00700/00700-028-LL-E-L-SSS0S			± 2,8		3		340			1,66	234
W-00-00700/00700-024-LL-E-L-SSS0S	700	700	± 2,4	150	1	7245	270	1005	1005	1,07	230
W-00-00700/00700-048-LL-E-L-SSS0S			± 4,8		2		375			0,54	303
W-00-00700/00700-073-LL-E-L-SSS0S			± 7,3		3		480			0,36	376
W-00-00700/00700-032-LL-E-L-SSS0S	700	700	± 3,2	200	1	8007	270	1105	1105	0,59	236
W-00-00700/00700-065-LL-E-L-SSS0S			± 6,5		2		375			0,30	315
W-00-00700/00700-097-LL-E-L-SSS0S			± 9,7		3		480			0,20	393

Angular, rectangular metallic expansion joint

Compensator Properties	Design Temperature	≤ 530 °C
	Design Pressure	100 mbar
	Bellow Material	1.5415
	Corner Type	Double Miter
	Connection	Angle Flange
	Connection Material	1.5415
	Profile WH 80mm	L60x6
Profile WH 150/200mm	L80x8	
Sleeve Material	1.5415	
Thickness WH 80mm	3 mm	
Thickness WH 150/200mm	5 mm	
Cycles	≥ 1000	



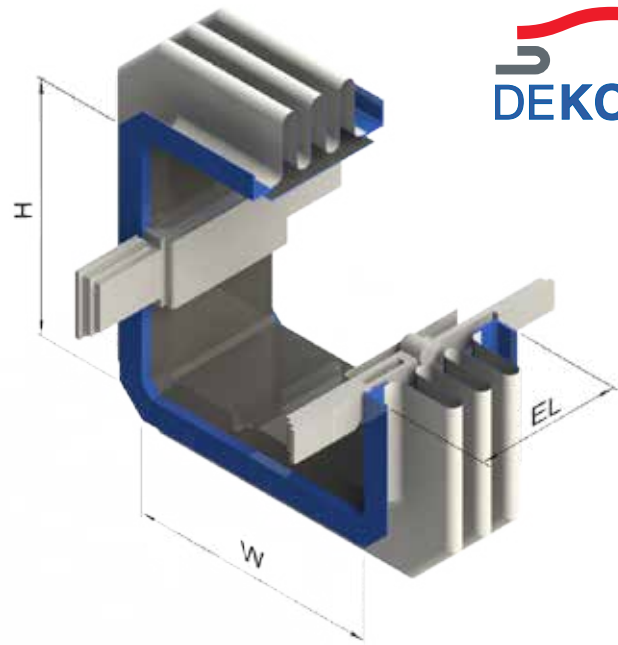
1 convolution



2 convolutions



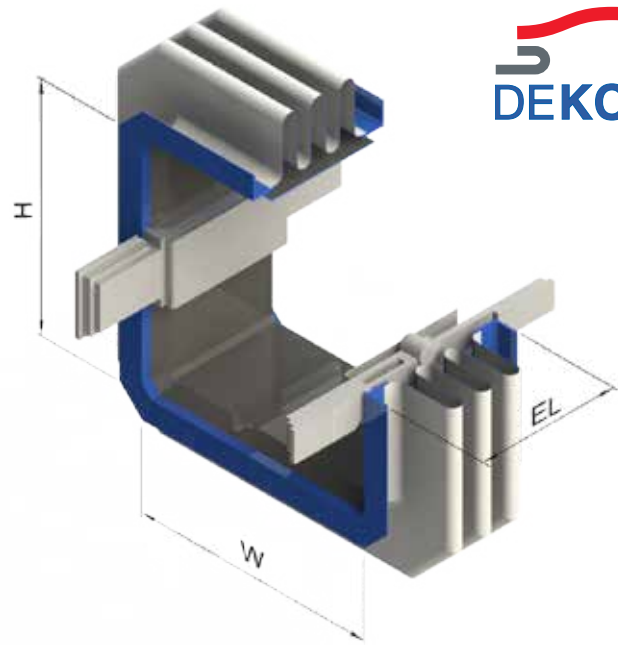
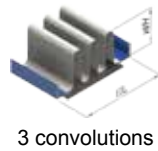
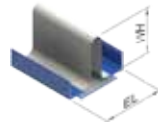
3 convolutions



DEKOMTE Article Number	Clear Opening		Maximum Movement	Convolution Height WH	Number of Convolutions	Effective Area	Installation Length EL	Overall Dimension		Angular Adjustment Force	Weight
	Width W	Height H						Width	Height H		
	[mm]	[mm]						[mm]	[mm]		
W-00-00700/01400-009-LL-E-L-SSS0S	700	1400	± 0,9	80	1	11719	200	865	1565	8,32	177
W-00-00700/01400-018-LL-E-L-SSS0S			± 1,8		2		270			4,16	229
W-00-00700/01400-028-LL-E-L-SSS0S			± 2,8		3		340			2,77	281
W-00-00700/01400-024-LL-E-L-SSS0S	700	1400	± 2,4	150	1	13318	270	1005	1705	1,74	286
W-00-00700/01400-048-LL-E-L-SSS0S			± 4,8		2		375			0,87	373
W-00-00700/01400-073-LL-E-L-SSS0S			± 7,3		3		480			0,58	460
W-00-00700/01400-032-LL-E-L-SSS0S	700	1400	± 3,2	200	1	14430	270	1105	1805	0,94	293
W-00-00700/01400-065-LL-E-L-SSS0S			± 6,5		2		375			0,47	388
W-00-00700/01400-097-LL-E-L-SSS0S			± 9,7		3		480			0,31	483
W-00-00800/00400-008-LL-E-L-SSS0S	800	400	± 0,8	80	1	4277	200	965	565	4,71	137
W-00-00800/00400-016-LL-E-L-SSS0S			± 1,6		2		270			2,35	179
W-00-00800/00400-025-LL-E-L-SSS0S			± 2,5		3		340			1,57	221
W-00-00800/00800-008-LL-E-L-SSS0S	800	800	± 0,8	80	1	7851	200	965	965	7,14	155
W-00-00800/00800-016-LL-E-L-SSS0S			± 1,6		2		270			3,57	201
W-00-00800/00800-025-LL-E-L-SSS0S			± 2,5		3		340			2,38	248
W-00-00800/00800-021-LL-E-L-SSS0S	800	800	± 2,1	150	1	9080	270	1105	1105	1,50	246
W-00-00800/00800-042-LL-E-L-SSS0S			± 4,2		2		375			0,75	323
W-00-00800/00800-064-LL-E-L-SSS0S			± 6,4		3		480			0,50	400
W-00-00800/00800-028-LL-E-L-SSS0S	800	800	± 2,8	200	1	9942	270	1205	1205	0,81	252
W-00-00800/00800-057-LL-E-L-SSS0S			± 5,7		2		375			0,41	336
W-00-00800/00800-085-LL-E-L-SSS0S			± 8,5		3		480			0,27	419
W-00-00800/01600-008-LL-E-L-SSS0S	800	1600	± 0,8	80	1	14999	200	965	1765	12,01	190
W-00-00800/01600-016-LL-E-L-SSS0S			± 1,6		2		270			6,00	245
W-00-00800/01600-025-LL-E-L-SSS0S			± 2,5		3		340			4,00	300
W-00-00800/01600-021-LL-E-L-SSS0S	800	1600	± 2,1	150	1	16820	270	1105	1905	2,44	309
W-00-00800/01600-042-LL-E-L-SSS0S			± 4,2		2		375			1,22	403
W-00-00800/01600-064-LL-E-L-SSS0S			± 6,4		3		480			0,81	496
W-00-00800/01600-028-LL-E-L-SSS0S	800	1600	± 2,8	200	1	18082	270	1205	2005	1,30	318
W-00-00800/01600-057-LL-E-L-SSS0S			± 5,7		2		375			0,65	420
W-00-00800/01600-085-LL-E-L-SSS0S			± 8,5		3		480			0,43	521

Angular, rectangular metallic expansion joint

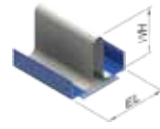
Compensator Properties	Design Temperature	≤ 530 °C
	Design Pressure	100 mbar
	Bellow Material	1.5415
	Corner Type	Double Miter
	Connection	Angle Flange
	Connection Material	1.5415
	Profile WH 80mm	L60x6
Profile WH 150/200mm	L80x8	
Sleeve Material	1.5415	
Thickness WH 80mm	3 mm	
Thickness WH 150/200mm	5 mm	
Cycles	≥ 1000	



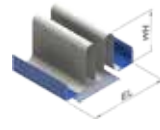
DEKOMTE Article Number	Clear Opening		Maximum Movement	Convolution Height WH	Number of Convolutions	Effective Area	Installation Length EL	Overall Dimension		Angular Adjustment Force	Weight
	Width W	Height H						Width	Height H		
	[mm]	[mm]						[mm]	[mm]		
W-00-00900/00900-007-LL-E-L-SSS0S	900	900	± 0,7	80	1	9738	200	1065	1065	9,86	164
W-00-00900/00900-015-LL-E-L-SSS0S			± 1,5		2		270			4,93	212
W-00-00900/00900-022-LL-E-L-SSS0S			± 2,2		3		340			3,29	261
W-00-00900/00900-019-LL-E-L-SSS0S	900	900	± 1,9	150	1	11115	270	1205	1205	2,02	262
W-00-00900/00900-038-LL-E-L-SSS0S			± 3,8		2		375			1,01	343
W-00-00900/00900-057-LL-E-L-SSS0S			± 5,7		3		480			0,67	424
W-00-00900/00900-025-LL-E-L-SSS0S	900	900	± 2,5	200	1	12077	270	1305	1305	1,08	269
W-00-00900/00900-050-LL-E-L-SSS0S			± 5,0		2		375			0,54	357
W-00-00900/00900-076-LL-E-L-SSS0S			± 7,6		3		480			0,36	444
W-00-00900/01800-007-LL-E-L-SSS0S	900	1800	± 0,7	80	1	18680	200	1065	1965	16,65	204
W-00-00900/01800-015-LL-E-L-SSS0S			± 1,5		2		270			8,33	262
W-00-00900/01800-022-LL-E-L-SSS0S			± 2,2		3		340			5,55	320
W-00-00900/01800-019-LL-E-L-SSS0S	900	1800	± 1,9	150	1	20723	270	1205	2105	3,32	333
W-00-00900/01800-038-LL-E-L-SSS0S			± 3,8		2		375			1,66	433
W-00-00900/01800-057-LL-E-L-SSS0S			± 5,7		3		480			1,11	532
W-00-00900/01800-025-LL-E-L-SSS0S	900	1800	± 2,5	200	1	22135	270	1305	2205	1,74	343
W-00-00900/01800-050-LL-E-L-SSS0S			± 5,0		2		375			0,87	451
W-00-00900/01800-076-LL-E-L-SSS0S			± 7,6		3		480			0,58	560
W-00-01000/00500-006-LL-E-L-SSS0S	1000	500	± 0,6	80	1	6358	200	1165	665	8,62	150
W-00-01000/00500-013-LL-E-L-SSS0S			± 1,3		2		270			4,31	196
W-00-01000/00500-020-LL-E-L-SSS0S			± 2,0		3		340			2,87	241
W-00-01000/00500-017-LL-E-L-SSS0S	1000	500	± 1,7	150	1	7513	270	1305	805	1,79	238
W-00-01000/00500-034-LL-E-L-SSS0S			± 3,4		2		375			0,90	313
W-00-01000/00500-051-LL-E-L-SSS0S			± 5,1		3		480			0,60	388
W-00-01000/00500-023-LL-E-L-SSS0S	1000	500	± 2,3	200	1	8325	270	1405	905	0,96	244
W-00-01000/00500-045-LL-E-L-SSS0S			± 4,5		2		375			0,48	325
W-00-01000/00500-068-LL-E-L-SSS0S			± 6,8		3		480			0,32	406
W-00-01000/01000-006-LL-E-L-SSS0S	1000	1000	± 0,6	80	1	11825	200	1165	1165	13,20	173
W-00-01000/01000-013-LL-E-L-SSS0S			± 1,3		2		270			6,60	223
W-00-01000/01000-020-LL-E-L-SSS0S			± 2,0		3		340			4,40	274

Angular, rectangular metallic expansion joint

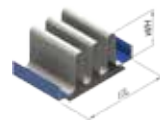
Compensator Properties	Design Temperature	≤ 530 °C
	Design Pressure	100 mbar
	Bellow Material	1.5415
	Corner Type	Double Miter
	Connection	Angle Flange
	Connection Material	1.5415
	Profile WH 80mm	L60x6
Profile WH 150/200mm	L80x8	
Sleeve Material	1.5415	
Thickness WH 80mm	3 mm	
Thickness WH 150/200mm	5 mm	
Cycles	≥ 1000	



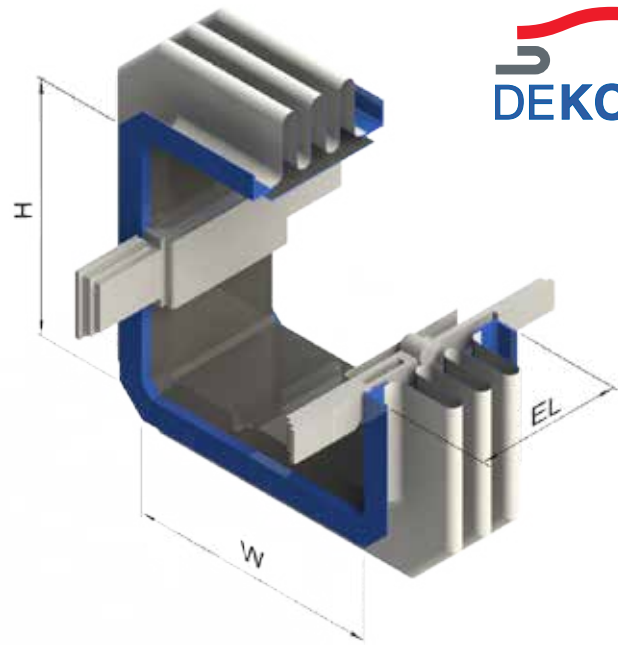
1 convolution



2 convolutions



3 convolutions

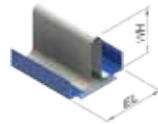


DEKOMTE Article Number	Clear Opening		Maximum Movement	Convolution Height WH	Number of Convolutions	Effective Area	Installation Length EL	Overall Dimension		Angular Adjustment Force	Weight
	Width W	Height H						Width	Height H		
	[mm]	[mm]						[mm]	[mm]		
W-00-01000/01000-017-LL-E-L-SSS0S	1000	1000	± 1,7	150	1	13350	270	1305	1305	2,66	278
W-00-01000/01000-034-LL-E-L-SSS0S			± 3,4		2		375			1,33	363
W-00-01000/01000-051-LL-E-L-SSS0S			± 5,1		3		480			0,89	448
W-00-01000/01000-023-LL-E-L-SSS0S	1000	1000	± 2,3	200	1	14412	270	1405	1405	1,40	285
W-00-01000/01000-045-LL-E-L-SSS0S			± 4,5		2		375			0,70	378
W-00-01000/01000-068-LL-E-L-SSS0S			± 6,8		3		480			0,47	470
W-00-01000/02000-006-LL-E-L-SSS0S	1000	2000	± 0,6	80	1	22760	200	1165	2165	22,37	217
W-00-01000/02000-013-LL-E-L-SSS0S			± 1,3		2		270			11,18	278
W-00-01000/02000-020-LL-E-L-SSS0S			± 2,0		3		340			7,46	340
W-00-01000/02000-017-LL-E-L-SSS0S	1000	2000	± 1,7	150	1	25025	270	1305	2305	4,39	357
W-00-01000/02000-034-LL-E-L-SSS0S			± 3,4		2		375			2,20	463
W-00-01000/02000-051-LL-E-L-SSS0S			± 5,1		3		480			1,46	568
W-00-01000/02000-023-LL-E-L-SSS0S	1000	2000	± 2,3	200	1	26587	270	1405	2405	2,28	367
W-00-01000/02000-045-LL-E-L-SSS0S			± 4,5		2		375			1,14	483
W-00-01000/02000-068-LL-E-L-SSS0S			± 6,8		3		480			0,76	598
W-00-01200/00600-005-LL-E-L-SSS0S	1200	600	± 0,5	80	1	8838	200	1365	765	14,25	164
W-00-01200/00600-011-LL-E-L-SSS0S			± 1,1		2		270			7,12	212
W-00-01200/00600-017-LL-E-L-SSS0S			± 1,7		3		340			4,75	261
W-00-01200/00600-014-LL-E-L-SSS0S	1200	600	± 1,4	150	1	10215	270	1505	905	2,87	262
W-00-01200/00600-028-LL-E-L-SSS0S			± 2,8		2		375			1,43	343
W-00-01200/00600-043-LL-E-L-SSS0S			± 4,3		3		480			0,96	424
W-00-01200/00600-019-LL-E-L-SSS0S	1200	600	± 1,9	200	1	11177	270	1605	1005	1,51	269
W-00-01200/00600-038-LL-E-L-SSS0S			± 3,8		2		375			0,75	357
W-00-01200/00600-057-LL-E-L-SSS0S			± 5,7		3		480			0,50	444
W-00-01200/01200-005-LL-E-L-SSS0S	1200	1200	± 0,5	80	1	16599	200	1365	1365	21,97	190
W-00-01200/01200-011-LL-E-L-SSS0S			± 1,1		2		270			10,99	245
W-00-01200/01200-017-LL-E-L-SSS0S			± 1,7		3		340			7,32	300
W-00-01200/01200-014-LL-E-L-SSS0S	1200	1200	± 1,4	150	1	18420	270	1505	1505	4,30	309
W-00-01200/01200-028-LL-E-L-SSS0S			± 2,8		2		375			2,15	403
W-00-01200/01200-043-LL-E-L-SSS0S			± 4,3		3		480			1,43	496

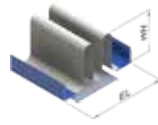
Angular, rectangular metallic expansion joint



Compensator Properties	Design Temperature	≤ 530 °C
	Design Pressure	100 mbar
	Bellow Material	1.5415
	Corner Type	Double Miter
	Connection	Angle Flange
	Connection Material	1.5415
	Profile WH 80mm	L60x6
Profile WH 150/200mm	L80x8	
Sleeve Material	1.5415	
Thickness WH 80mm	3 mm	
Thickness WH 150/200mm	5 mm	
Cycles	≥ 1000	



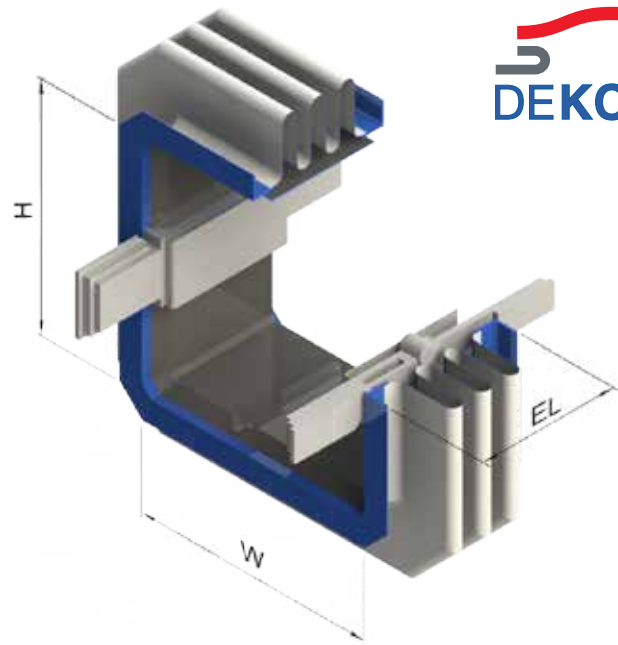
1 convolution



2 convolutions



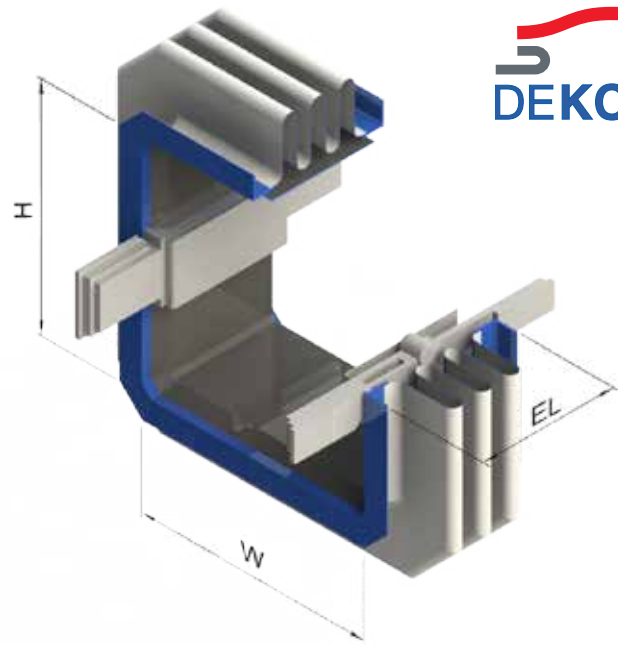
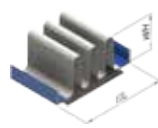
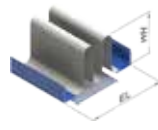
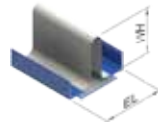
3 convolutions



DEKOMTE Article Number	Clear Opening		Maximum Movement	Convolution Height WH	Number of Convolutions	Effective Area	Installation Length EL	Overall Dimension		Angular Adjustment Force	Weight
	Width W	Height H						Width	Height H		
	[mm]	[mm]						[mm]	[mm]		
W-00-01200/01200-019-LL-E-L-SSS0S	1200	1200	± 1,9	200	1	19682	270	1605	1605	2,22	318
W-00-01200/01200-038-LL-E-L-SSS0S			± 3,8		2		375			1,11	420
W-00-01200/01200-057-LL-E-L-SSS0S			± 5,7		3		480			0,74	521
W-00-01200/02400-005-LL-E-L-SSS0S	1200	2400	± 0,5	80	1	32121	200	1365	2565	37,43	244
W-00-01200/02400-011-LL-E-L-SSS0S			± 1,1		2		270			18,71	311
W-00-01200/02400-017-LL-E-L-SSS0S			± 1,7		3		340			12,48	379
W-00-01200/02400-014-LL-E-L-SSS0S	1200	2400	± 1,4	150	1	34830	270	1505	2705	7,17	405
W-00-01200/02400-028-LL-E-L-SSS0S			± 2,8		2		375			3,58	523
W-00-01200/02400-043-LL-E-L-SSS0S			± 4,3		3		480			2,39	640
W-00-01200/02400-019-LL-E-L-SSS0S	1200	2400	± 1,9	200	1	36692	270	1605	2805	3,65	417
W-00-01200/02400-038-LL-E-L-SSS0S			± 3,8		2		375			1,83	546
W-00-01200/02400-057-LL-E-L-SSS0S			± 5,7		3		480			1,22	675
W-00-01400/00700-004-LL-E-L-SSS0S	1400	700	± 0,4	80	1	11719	200	1565	865	21,92	177
W-00-01400/00700-009-LL-E-L-SSS0S			± 0,9		2		270			10,96	229
W-00-01400/00700-014-LL-E-L-SSS0S			± 1,4		3		340			7,31	281
W-00-01400/00700-012-LL-E-L-SSS0S	1400	700	± 1,2	150	1	13318	270	1705	1005	4,30	286
W-00-01400/00700-024-LL-E-L-SSS0S			± 2,4		2		375			2,15	373
W-00-01400/00700-037-LL-E-L-SSS0S			± 3,7		3		480			1,43	460
W-00-01400/00700-016-LL-E-L-SSS0S	1400	700	± 1,6	200	1	14430	270	1805	1105	2,23	293
W-00-01400/00700-033-LL-E-L-SSS0S			± 3,3		2		375			1,12	388
W-00-01400/00700-049-LL-E-L-SSS0S			± 4,9		3		480			0,74	483
W-00-01400/01400-004-LL-E-L-SSS0S	1400	1400	± 0,4	80	1	22173	200	1565	1565	33,97	208
W-00-01400/01400-009-LL-E-L-SSS0S			± 0,9		2		270			16,98	267
W-00-01400/01400-014-LL-E-L-SSS0S			± 1,4		3		340			11,32	327
W-00-01400/01400-012-LL-E-L-SSS0S	1400	1400	± 1,2	150	1	24290	270	1705	1705	6,51	341
W-00-01400/01400-024-LL-E-L-SSS0S			± 2,4		2		375			3,25	443
W-00-01400/01400-037-LL-E-L-SSS0S			± 3,7		3		480			2,17	544
W-00-01400/01400-016-LL-E-L-SSS0S	1400	1400	± 1,6	200	1	25752	270	1805	1805	3,32	351
W-00-01400/01400-033-LL-E-L-SSS0S			± 3,3		2		375			1,66	462
W-00-01400/01400-049-LL-E-L-SSS0S			± 4,9		3		480			1,11	573

Angular, rectangular metallic expansion joint

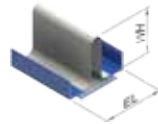
Compensator Properties	Design Temperature	≤ 530 °C
	Design Pressure	100 mbar
	Bellow Material	1.5415
	Corner Type	Double Miter
	Connection	Angle Flange
	Connection Material	1.5415
	Profile WH 80mm	L60x6
Profile WH 150/200mm	L80x8	
Sleeve Material	1.5415	
Thickness WH 80mm	3 mm	
Thickness WH 150/200mm	5 mm	
Cycles	≥ 1000	



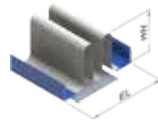
DEKOMTE Article Number	Clear Opening		Maximum Movement	Convolution Height WH	Number of Convolutions	Effective Area	Installation Length EL	Overall Dimension		Angular Adjustment Force	Weight
	Width W	Height H						Width	Height H		
	[mm]	[mm]						[mm]	[mm]		
W-00-01400/02800-004-LL-E-L-SSS0S	1400	2800	± 0,4	80	1	43082	200	1565	2965	58,07	271
W-00-01400/02800-009-LL-E-L-SSS0S			± 0,9		2		270			29,03	345
W-00-01400/02800-014-LL-E-L-SSS0S			± 1,4		3		340			19,36	419
W-00-01400/02800-012-LL-E-L-SSS0S	1400	2800	± 1,2	150	1	46235	270	1705	3105	10,92	453
W-00-01400/02800-024-LL-E-L-SSS0S			± 2,4		2		375			5,46	582
W-00-01400/02800-037-LL-E-L-SSS0S			± 3,7		3		480			3,64	712
W-00-01400/02800-016-LL-E-L-SSS0S	1400	2800	± 1,6	200	1	48397	270	1805	3205	5,50	466
W-00-01400/02800-033-LL-E-L-SSS0S			± 3,3		2		375			2,75	609
W-00-01400/02800-049-LL-E-L-SSS0S			± 4,9		3		480			1,83	752
W-00-01600/00800-004-LL-E-L-SSS0S	1600	800	± 0,4	80	1	14999	200	1765	965	31,94	190
W-00-01600/00800-008-LL-E-L-SSS0S			± 0,8		2		270			15,97	245
W-00-01600/00800-013-LL-E-L-SSS0S			± 1,3		3		340			10,65	300
W-00-01600/00800-011-LL-E-L-SSS0S	1600	800	± 1,1	150	1	16820	270	1905	1105	6,16	309
W-00-01600/00800-021-LL-E-L-SSS0S			± 2,1		2		375			3,08	403
W-00-01600/00800-032-LL-E-L-SSS0S			± 3,2		3		480			2,05	496
W-00-01600/00800-014-LL-E-L-SSS0S	1600	800	± 1,4	200	1	18082	270	2005	1205	3,15	318
W-00-01600/00800-028-LL-E-L-SSS0S			± 2,8		2		375			1,58	420
W-00-01600/00800-043-LL-E-L-SSS0S			± 4,3		3		480			1,05	521
W-00-01600/01600-004-LL-E-L-SSS0S	1600	1600	± 0,4	80	1	28547	200	1765	1765	49,68	226
W-00-01600/01600-008-LL-E-L-SSS0S			± 0,8		2		270			24,84	289
W-00-01600/01600-013-LL-E-L-SSS0S			± 1,3		3		340			16,56	353
W-00-01600/01600-011-LL-E-L-SSS0S	1600	1600	± 1,1	150	1	30960	270	1905	1905	9,37	373
W-00-01600/01600-021-LL-E-L-SSS0S			± 2,1		2		375			4,68	483
W-00-01600/01600-032-LL-E-L-SSS0S			± 3,2		3		480			3,12	592
W-00-01600/01600-014-LL-E-L-SSS0S	1600	1600	± 1,4	200	1	32622	270	2005	2005	4,73	384
W-00-01600/01600-028-LL-E-L-SSS0S			± 2,8		2		375			2,36	504
W-00-01600/01600-043-LL-E-L-SSS0S			± 4,3		3		480			1,58	624
W-00-01600/03200-004-LL-E-L-SSS0S	1600	3200	± 0,4	80	1	55643	200	1765	3365	85,17	297
W-00-01600/03200-008-LL-E-L-SSS0S			± 0,8		2		270			42,59	378
W-00-01600/03200-013-LL-E-L-SSS0S			± 1,3		3		340			28,39	458

Angular, rectangular metallic expansion joint

Compensator Properties	Design Temperature	≤ 530 °C
	Design Pressure	100 mbar
	Bellow Material	1.5415
	Corner Type	Double Miter
	Connection	Angle Flange
	Connection Material	1.5415
	Profile WH 80mm	L60x6
Profile WH 150/200mm	L80x8	
Sleeve Material	1.5415	
Thickness WH 80mm	3 mm	
Thickness WH 150/200mm	5 mm	
Cycles	≥ 1000	



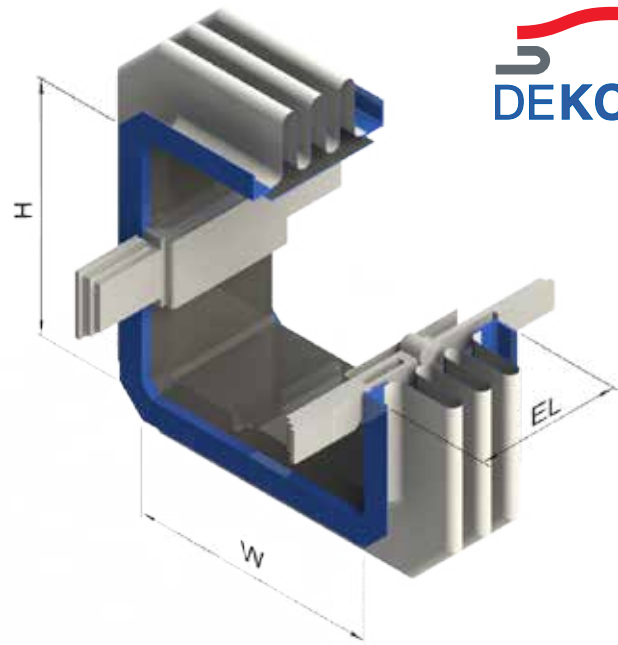
1 convolution



2 convolutions



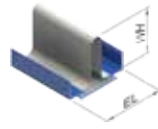
3 convolutions



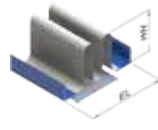
DEKOMTE Article Number	Clear Opening		Maximum Movement	Convolution Height WH	Number of Convolutions	Effective Area	Installation Length EL	Overall Dimension		Angular Adjustment Force	Weight
	Width W	Height H						Width	Height H		
	[mm]	[mm]						[mm]	[mm]		
W-00-01600/03200-011-LL-E-L-SSS0S	1600	3200	± 1,1	150	1	59240	270	1905	3505	15,79	500
W-00-01600/03200-021-LL-E-L-SSS0S			± 2,1		2		375			7,89	642
W-00-01600/03200-032-LL-E-L-SSS0S			± 3,2		3		480			5,26	784
W-00-01600/03200-014-LL-E-L-SSS0S	1600	3200	± 1,4	200	1	61702	270	2005	3605	7,88	515
W-00-01600/03200-028-LL-E-L-SSS0S			± 2,8		2		375			3,94	672
W-00-01600/03200-043-LL-E-L-SSS0S			± 4,3		3		480			2,63	829
W-00-01800/00900-003-LL-E-L-SSS0S	1800	900	± 0,3	80	1	18680	200	1965	1065	44,63	204
W-00-01800/00900-007-LL-E-L-SSS0S			± 0,7		2		270			22,31	262
W-00-01800/00900-011-LL-E-L-SSS0S			± 1,1		3		340			14,88	320
W-00-01800/00900-009-LL-E-L-SSS0S	1800	900	± 0,9	150	1	20723	270	2105	1205	8,47	333
W-00-01800/00900-019-LL-E-L-SSS0S			± 1,9		2		375			4,24	433
W-00-01800/00900-029-LL-E-L-SSS0S			± 2,9		3		480			2,82	532
W-00-01800/00900-013-LL-E-L-SSS0S	1800	900	± 1,3	200	1	22135	270	2205	1305	4,30	343
W-00-01800/00900-025-LL-E-L-SSS0S			± 2,5		2		375			2,15	451
W-00-01800/00900-038-LL-E-L-SSS0S			± 3,8		3		480			1,43	560
W-00-01800/01800-003-LL-E-L-SSS0S	1800	1800	± 0,3	80	1	35721	200	1965	1965	69,62	244
W-00-01800/01800-007-LL-E-L-SSS0S			± 0,7		2		270			34,81	311
W-00-01800/01800-011-LL-E-L-SSS0S			± 1,1		3		340			23,21	379
W-00-01800/01800-009-LL-E-L-SSS0S	1800	1800	± 0,9	150	1	38430	270	2105	2105	12,96	405
W-00-01800/01800-019-LL-E-L-SSS0S			± 1,9		2		375			6,48	523
W-00-01800/01800-029-LL-E-L-SSS0S			± 2,9		3		480			4,32	640
W-00-01800/01800-013-LL-E-L-SSS0S	1800	1800	± 1,3	200	1	40292	270	2205	2205	6,48	417
W-00-01800/01800-025-LL-E-L-SSS0S			± 2,5		2		375			3,24	546
W-00-01800/01800-038-LL-E-L-SSS0S			± 3,8		3		480			2,16	675
W-00-01800/03600-003-LL-E-L-SSS0S	1800	3600	± 0,3	80	1	69804	200	1965	3765	120	324
W-00-01800/03600-007-LL-E-L-SSS0S			± 0,7		2		270			59,81	411
W-00-01800/03600-011-LL-E-L-SSS0S			± 1,1		3		340			39,87	498
W-00-01800/03600-009-LL-E-L-SSS0S	1800	3600	± 0,9	150	1	73845	270	2105	3905	21,93	548
W-00-01800/03600-019-LL-E-L-SSS0S			± 1,9		2		375			10,97	702
W-00-01800/03600-029-LL-E-L-SSS0S			± 2,9		3		480			7,31	856

Angular, rectangular metallic expansion joint

Compensator Properties	Design Temperature	≤ 530 °C
	Design Pressure	100 mbar
	Bellow Material	1.5415
	Corner Type	Double Miter
	Connection	Angle Flange
	Connection Material	1.5415
	Profile WH 80mm	L60x6
Profile WH 150/200mm	L80x8	
Sleeve Material	1.5415	
Thickness WH 80mm	3 mm	
Thickness WH 150/200mm	5 mm	
Cycles	≥ 1000	



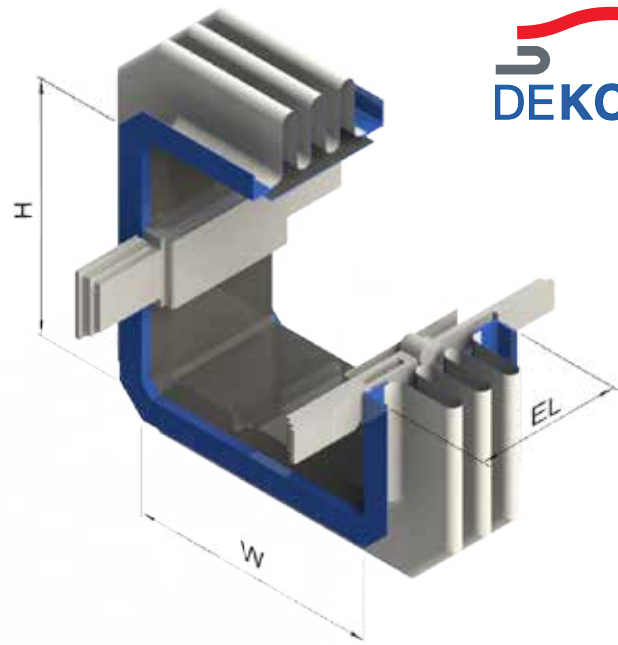
1 convolution



2 convolutions



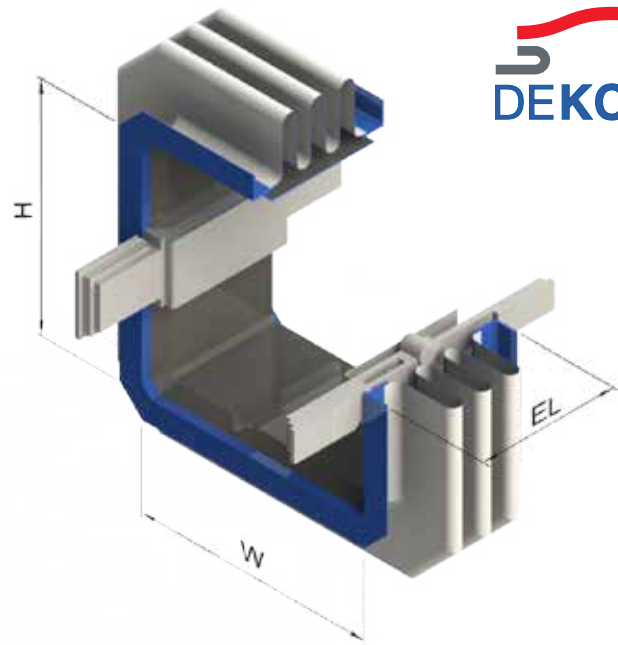
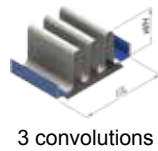
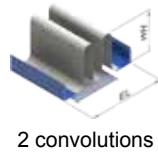
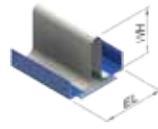
3 convolutions



DEKOMTE Article Number	Clear Opening		Maximum Movement	Convolution Height WH	Number of Convolutions	Effective Area	Installation Length EL	Overall Dimension		Angular Adjustment Force	Weight
	Width W	Height H						Width	Height H		
	[mm]	[mm]						[mm]	[mm]		
W-00-01800/03600-013-LL-E-L-SSS0S	1800	3600	± 1,3	200	1	76607	270	2205	4005	10,86	565
W-00-01800/03600-025-LL-E-L-SSS0S			± 2,5		2		375			5,43	735
W-00-01800/03600-038-LL-E-L-SSS0S			± 3,8		3		480			3,62	906
W-00-02000/01000-003-LL-E-L-SSS0S	2000	1000	± 0,3	80	1	22760	200	2165	1165	60,29	217
W-00-02000/01000-007-LL-E-L-SSS0S			± 0,7		2		270			30,15	278
W-00-02000/01000-010-LL-E-L-SSS0S			± 1,0		3		340			20,10	340
W-00-02000/01000-009-LL-E-L-SSS0S	2000	1000	± 0,9	150	1	25025	270	2305	1305	11,31	357
W-00-02000/01000-017-LL-E-L-SSS0S			± 1,7		2		375			5,66	463
W-00-02000/01000-026-LL-E-L-SSS0S			± 2,6		3		480			3,77	568
W-00-02000/01000-011-LL-E-L-SSS0S	2000	1000	± 1,1	200	1	26587	270	2405	1405	5,69	367
W-00-02000/01000-023-LL-E-L-SSS0S			± 2,3		2		375			2,84	483
W-00-02000/01000-034-LL-E-L-SSS0S			± 3,4		3		480			1,90	598
W-00-02000/02000-003-LL-E-L-SSS0S	2000	2000	± 0,3	80	1	43695	200	2165	2165	94,29	262
W-00-02000/02000-007-LL-E-L-SSS0S			± 0,7		2		270			47,15	334
W-00-02000/02000-010-LL-E-L-SSS0S			± 1,0		3		340			31,43	406
W-00-02000/02000-009-LL-E-L-SSS0S	2000	2000	± 0,9	150	1	46700	270	2305	2305	17,37	437
W-00-02000/02000-017-LL-E-L-SSS0S			± 1,7		2		375			8,68	562
W-00-02000/02000-026-LL-E-L-SSS0S			± 2,6		3		480			5,79	688
W-00-02000/02000-011-LL-E-L-SSS0S	2000	2000	± 1,1	200	1	48762	270	2405	2405	8,63	450
W-00-02000/02000-023-LL-E-L-SSS0S			± 2,3		2		375			4,32	588
W-00-02000/02000-034-LL-E-L-SSS0S			± 3,4		3		480			2,88	727
W-00-02000/04000-003-LL-E-L-SSS0S	2000	4000	± 0,3	80	1	85565	200	2165	4165	162	351
W-00-02000/04000-007-LL-E-L-SSS0S			± 0,7		2		270			81,15	444
W-00-02000/04000-010-LL-E-L-SSS0S			± 1,0		3		340			54,10	537
W-00-02000/04000-009-LL-E-L-SSS0S	2000	4000	± 0,9	150	1	90050	270	2305	4305	29,49	596
W-00-02000/04000-017-LL-E-L-SSS0S			± 1,7		2		375			14,74	762
W-00-02000/04000-026-LL-E-L-SSS0S			± 2,6		3		480			9,83	928
W-00-02000/04000-011-LL-E-L-SSS0S	2000	4000	± 1,1	200	1	93112	270	2405	4405	14,52	614
W-00-02000/04000-023-LL-E-L-SSS0S			± 2,3		2		375			7,26	799
W-00-02000/04000-034-LL-E-L-SSS0S			± 3,4		3		480			4,84	983

Angular, rectangular metallic expansion joint

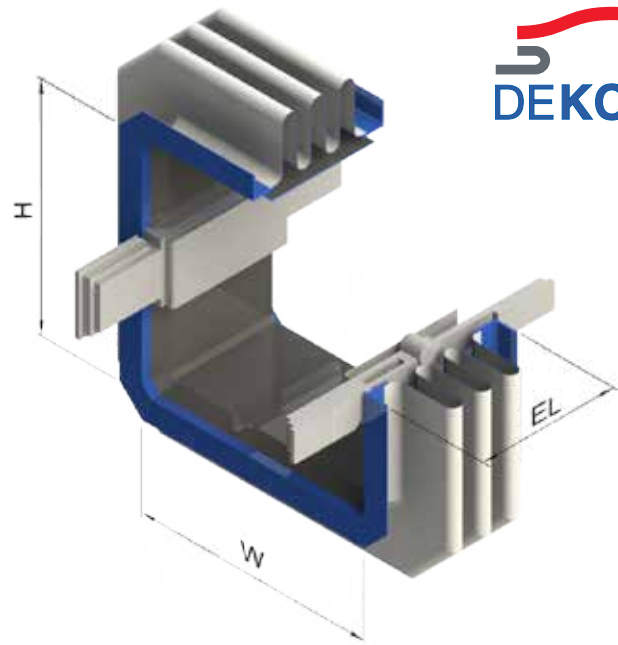
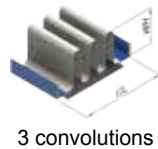
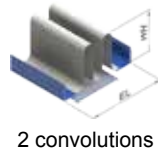
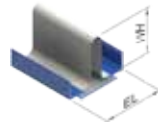
Compensator Properties	Design Temperature	≤ 530 °C
	Design Pressure	100 mbar
	Bellow Material	1.5415
	Corner Type	Double Miter
	Connection	Angle Flange
	Connection Material	1.5415
	Profile WH 80mm	L60x6
Profile WH 150/200mm	L80x8	
Sleeve Material	1.5415	
Thickness WH 80mm	3 mm	
Thickness WH 150/200mm	5 mm	
Cycles	≥ 1000	



DEKOMTE Article Number	Clear Opening		Maximum Movement	Convolution Height WH	Number of Convolutions	Effective Area	Installation Length EL	Overall Dimension		Angular Adjustment Force	Weight
	Width W	Height H						Width	Height H		
	[mm]	[mm]						[mm]	[mm]		
W-00-02200/02200-008-LL-E-L-SSS0S	2200	2200	± 0,8	150	1	55770	270	2505	2505	22,68	468
W-00-02200/02200-016-LL-E-L-SSS0S			± 1,6		2		375			11,34	602
W-00-02200/02200-023-LL-E-L-SSS0S			± 2,3		3		480			7,56	736
W-00-02200/02200-010-LL-E-L-SSS0S	2200	2200	± 1,0	200	1	58032	270	2605	2605	11,21	482
W-00-02200/02200-021-LL-E-L-SSS0S			± 2,1		2		375			5,60	630
W-00-02200/02200-031-LL-E-L-SSS0S			± 3,1		3		480			3,74	778
W-00-02200/04400-008-LL-E-L-SSS0S	2200	4400	± 0,8	150	1	107855	270	2505	4705	38,61	643
W-00-02200/04400-016-LL-E-L-SSS0S			± 1,6		2		375			19,30	822
W-00-02200/04400-023-LL-E-L-SSS0S			± 2,3		3		480			12,87	1000
W-00-02200/04400-010-LL-E-L-SSS0S	2200	4400	± 1,0	200	1	111217	270	2605	4805	18,91	663
W-00-02200/04400-021-LL-E-L-SSS0S			± 2,1		2		375			9,45	862
W-00-02200/04400-031-LL-E-L-SSS0S			± 3,1		3		480			6,30	1060
W-00-02400/01200-002-LL-E-L-SSS0S	2400	1200	± 0,2	80	1	32121	200	2565	1365	102	244
W-00-02400/01200-005-LL-E-L-SSS0S			± 0,5		2		270			50,91	311
W-00-02400/01200-008-LL-E-L-SSS0S			± 0,8		3		340			33,94	379
W-00-02400/01200-007-LL-E-L-SSS0S	2400	1200	± 0,7	150	1	34830	270	2705	1505	18,75	405
W-00-02400/01200-014-LL-E-L-SSS0S			± 1,4		2		375			9,38	523
W-00-02400/01200-021-LL-E-L-SSS0S			± 2,1		3		480			6,25	640
W-00-02400/01200-010-LL-E-L-SSS0S	2400	1200	± 1,0	200	1	36692	270	2805	1605	9,32	417
W-00-02400/01200-019-LL-E-L-SSS0S			± 1,9		2		375			4,66	546
W-00-02400/01200-029-LL-E-L-SSS0S			± 2,9		3		480			3,11	675
W-00-02400/02400-007-LL-E-L-SSS0S	2400	2400	± 0,7	150	1	65640	270	2705	2705	28,98	500
W-00-02400/02400-014-LL-E-L-SSS0S			± 1,4		2		375			14,49	642
W-00-02400/02400-021-LL-E-L-SSS0S			± 2,1		3		480			9,66	784
W-00-02400/02400-010-LL-E-L-SSS0S	2400	2400	± 1,0	200	1	68102	270	2805	2805	14,25	515
W-00-02400/02400-019-LL-E-L-SSS0S			± 1,9		2		375			7,12	672
W-00-02400/02400-029-LL-E-L-SSS0S			± 2,9		3		480			4,75	829
W-00-02400/04800-007-LL-E-L-SSS0S	2400	4800	± 0,7	150	1	127260	270	2705	5105	49,44	691
W-00-02400/04800-014-LL-E-L-SSS0S			± 1,4		2		375			24,72	882
W-00-02400/04800-021-LL-E-L-SSS0S			± 2,1		3		480			16,48	1072

Angular, rectangular metallic expansion joint

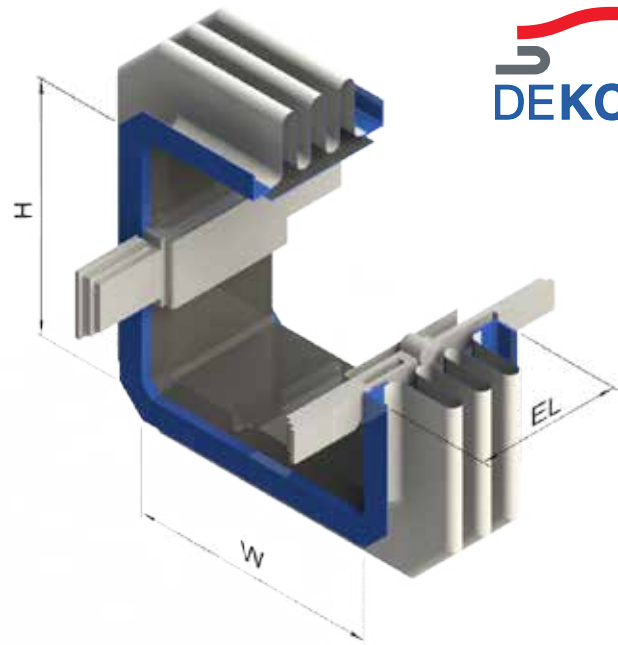
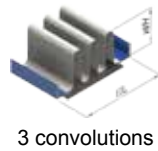
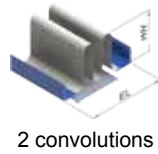
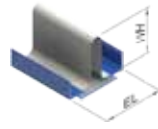
Compensator Properties	Design Temperature	≤ 530 °C
	Design Pressure	100 mbar
	Bellow Material	1.5415
	Corner Type	Double Miter
	Connection	Angle Flange
	Connection Material	1.5415
	Profile WH 80mm	L60x6
Profile WH 150/200mm	L80x8	
Sleeve Material	1.5415	
Thickness WH 80mm	3 mm	
Thickness WH 150/200mm	5 mm	
Cycles	≥ 1000	



DEKOMTE Article Number	Clear Opening		Maximum Movement	Convolution Height WH	Number of Convolutions	Effective Area	Installation Length EL	Overall Dimension		Angular Adjustment Force	Weight
	Width W	Height H						Width	Height H		
	[mm]	[mm]						[mm]	[mm]		
W-00-02400/04800-010-LL-E-L-SSS0S	2400	4800	± 1,0	200	1	130922	270	2805	5205	24,11	713
W-00-02400/04800-019-LL-E-L-SSS0S			± 1,9		2		375			12,06	925
W-00-02400/04800-029-LL-E-L-SSS0S			± 2,9		3		480			8,04	1137
W-00-02600/02600-007-LL-E-L-SSS0S	2600	2600	± 0,7	150	1	76310	270	2905	2905	36,35	532
W-00-02600/02600-013-LL-E-L-SSS0S			± 1,3		2		375			18,17	682
W-00-02600/02600-020-LL-E-L-SSS0S			± 2,0		3		480			12,12	832
W-00-02600/02600-009-LL-E-L-SSS0S	2600	2600	± 0,9	200	1	78972	270	3005	3005	17,79	548
W-00-02600/02600-018-LL-E-L-SSS0S			± 1,8		2		375			8,90	714
W-00-02600/02600-026-LL-E-L-SSS0S			± 2,6		3		480			5,93	880
W-00-02600/05200-007-LL-E-L-SSS0S	2600	5200	± 0,7	150	1	148265	270	2905	5505	62,12	739
W-00-02600/05200-013-LL-E-L-SSS0S			± 1,3		2		375			31,06	942
W-00-02600/05200-020-LL-E-L-SSS0S			± 2,0		3		480			20,71	1144
W-00-02600/05200-009-LL-E-L-SSS0S	2600	5200	± 0,9	200	1	152227	270	3005	5605	30,19	762
W-00-02600/05200-018-LL-E-L-SSS0S			± 1,8		2		375			15,09	988
W-00-02600/05200-026-LL-E-L-SSS0S			± 2,6		3		480			10,06	1214
W-00-02800/01400-002-LL-E-L-SSS0S	2800	1400	± 0,2	80	1	43082	200	2965	1565	159	271
W-00-02800/01400-005-LL-E-L-SSS0S			± 0,5		2		270			79,52	345
W-00-02800/01400-007-LL-E-L-SSS0S			± 0,7		3		340			53,02	419
W-00-02800/01400-006-LL-E-L-SSS0S	2800	1400	± 0,6	150	1	46235	270	3105	1705	28,90	453
W-00-02800/01400-012-LL-E-L-SSS0S			± 1,2		2		375			14,45	582
W-00-02800/01400-018-LL-E-L-SSS0S			± 1,8		3		480			9,63	712
W-00-02800/01400-008-LL-E-L-SSS0S	2800	1400	± 0,8	200	1	48397	270	3205	1805	14,23	466
W-00-02800/01400-016-LL-E-L-SSS0S			± 1,6		2		375			7,11	609
W-00-02800/01400-024-LL-E-L-SSS0S			± 2,4		3		480			4,74	752
W-00-02800/02800-006-LL-E-L-SSS0S	2800	2800	± 0,6	150	1	87780	270	3105	3105	44,87	564
W-00-02800/02800-012-LL-E-L-SSS0S			± 1,2		2		375			22,43	722
W-00-02800/02800-018-LL-E-L-SSS0S			± 1,8		3		480			14,96	880
W-00-02800/02800-008-LL-E-L-SSS0S	2800	2800	± 0,8	200	1	90642	270	3205	3205	21,89	581
W-00-02800/02800-016-LL-E-L-SSS0S			± 1,6		2		375			10,94	756
W-00-02800/02800-024-LL-E-L-SSS0S			± 2,4		3		480			7,30	932

Angular, rectangular metallic expansion joint

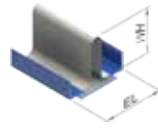
Compensator Properties	Design Temperature	≤ 530 °C
	Design Pressure	100 mbar
	Bellow Material	1.5415
	Corner Type	Double Miter
	Connection	Angle Flange
	Connection Material	1.5415
	Profile WH 80mm	L60x6
Profile WH 150/200mm	L80x8	
Sleeve Material	1.5415	
Thickness WH 80mm	3 mm	
Thickness WH 150/200mm	5 mm	
Cycles	≥ 1000	



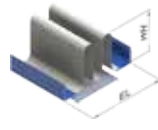
DEKOMTE Article Number	Clear Opening		Maximum Movement	Convolution Height WH	Number of Convolutions	Effective Area	Installation Length EL	Overall Dimension		Angular Adjustment Force	Weight
	Width W	Height H						Width	Height H		
	[mm]	[mm]						[mm]	[mm]		
W-00-02800/05600-006-LL-E-L-SSS0S	2800	5600	± 0,6	150	1	170870	270	3105	5905	76,81	787
W-00-02800/05600-012-LL-E-L-SSS0S			± 1,2		2		375			38,40	1002
W-00-02800/05600-018-LL-E-L-SSS0S			± 1,8		3		480			25,60	1217
W-00-02800/05600-008-LL-E-L-SSS0S	2800	5600	± 0,8	200	1	175132	270	3205	6005	37,21	811
W-00-02800/05600-016-LL-E-L-SSS0S			± 1,6		2		375			18,60	1051
W-00-02800/05600-024-LL-E-L-SSS0S			± 2,4		3		480			12,40	1291
W-00-03000/03000-006-LL-E-L-SSS0S	3000	3000	± 0,6	150	1	100050	270	3305	3305	54,63	596
W-00-03000/03000-011-LL-E-L-SSS0S			± 1,1		2		375			27,31	762
W-00-03000/03000-017-LL-E-L-SSS0S			± 1,7		3		480			18,21	928
W-00-03000/03000-008-LL-E-L-SSS0S	3000	3000	± 0,8	200	1	103112	270	3405	3405	26,56	614
W-00-03000/03000-015-LL-E-L-SSS0S			± 1,5		2		375			13,28	799
W-00-03000/03000-023-LL-E-L-SSS0S			± 2,3		3		480			8,85	983
W-00-03000/06000-006-LL-E-L-SSS0S	3000	6000	± 0,6	150	1	195075	270	3305	6305	93,64	834
W-00-03000/06000-011-LL-E-L-SSS0S			± 1,1		2		375			46,82	1062
W-00-03000/06000-017-LL-E-L-SSS0S			± 1,7		3		480			31,21	1289
W-00-03000/06000-008-LL-E-L-SSS0S	3000	6000	± 0,8	200	1	199637	270	3405	6405	45,24	861
W-00-03000/06000-015-LL-E-L-SSS0S			± 1,5		2		375			22,62	1114
W-00-03000/06000-023-LL-E-L-SSS0S			± 2,3		3		480			15,08	1367
W-00-03200/01600-002-LL-E-L-SSS0S	3200	1600	± 0,2	80	1	55643	200	3365	1765	234	297
W-00-03200/01600-004-LL-E-L-SSS0S			± 0,4		2		270			117	378
W-00-03200/01600-006-LL-E-L-SSS0S			± 0,6		3		340			78,16	458
W-00-03200/01600-005-LL-E-L-SSS0S	3200	1600	± 0,5	150	1	59240	270	3505	1905	42,17	500
W-00-03200/01600-011-LL-E-L-SSS0S			± 1,1		2		375			21,08	642
W-00-03200/01600-016-LL-E-L-SSS0S			± 1,6		3		480			14,06	784
W-00-03200/01600-007-LL-E-L-SSS0S	3200	1600	± 0,7	200	1	61702	270	3605	2005	20,62	515
W-00-03200/01600-014-LL-E-L-SSS0S			± 1,4		2		375			10,31	672
W-00-03200/01600-021-LL-E-L-SSS0S			± 2,1		3		480			6,87	829
W-00-03500/03500-005-LL-E-L-SSS0S	3500	3500	± 0,5	150	1	134225	270	3805	3805	84,99	675
W-00-03500/03500-010-LL-E-L-SSS0S			± 1,0		2		375			42,49	862
W-00-03500/03500-015-LL-E-L-SSS0S			± 1,5		3		480			28,33	1048

Angular, rectangular metallic expansion joint

Compensator Properties	Design Temperature	≤ 530 °C
	Design Pressure	100 mbar
	Bellow Material	1.5415
	Corner Type	Double Miter
	Connection	Angle Flange
	Connection Material	1.5415
	Profile WH 80mm	L60x6
Profile WH 150/200mm	L80x8	
Sleeve Material	1.5415	
Thickness WH 80mm	3 mm	
Thickness WH 150/200mm	5 mm	
Cycles	≥ 1000	



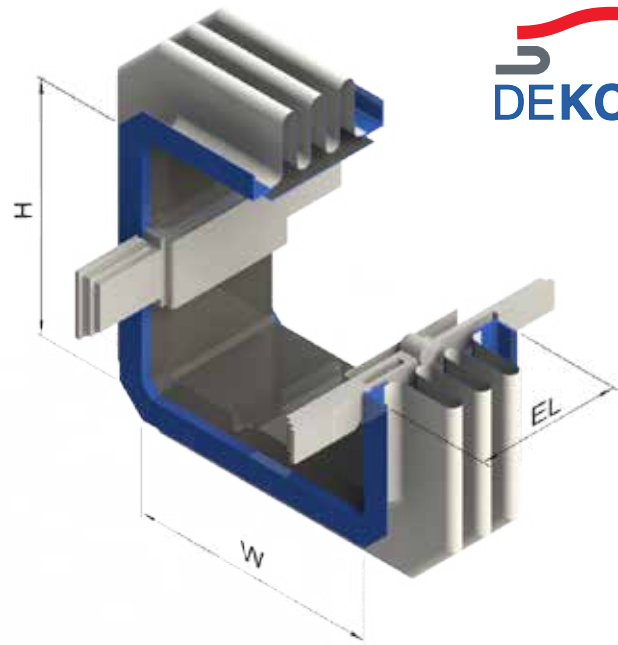
1 convolution



2 convolutions



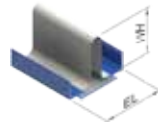
3 convolutions



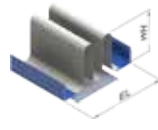
DEKOMTE Article Number	Clear Opening		Maximum Movement	Convolution Height WH	Number of Convolutions	Effective Area	Installation Length EL	Overall Dimension		Angular Adjustment Force	Weight
	Width W	Height H						Width	Height H		
	[mm]	[mm]						[mm]	[mm]		
W-00-03500/03500-007-LL-E-L-SSS0S	3500	3500	± 0,7	200	1	137787	270	3905	3905	41,06	696
W-00-03500/03500-013-LL-E-L-SSS0S			± 1,3		2		375			20,53	904
W-00-03500/03500-020-LL-E-L-SSS0S			± 2,0		3		480			13,69	1111
W-00-03500/07000-005-LL-E-L-SSS0S	3500	7000	± 0,5	150	1	262588	270	3805	7305	146	954
W-00-03500/07000-010-LL-E-L-SSS0S			± 1,0		2		375			73,05	1211
W-00-03500/07000-015-LL-E-L-SSS0S			± 1,5		3		480			48,70	1469
W-00-03500/07000-007-LL-E-L-SSS0S	3500	7000	± 0,7	200	1	267900	270	3905	7405	70,19	984
W-00-03500/07000-013-LL-E-L-SSS0S			± 1,3		2		375			35,10	1272
W-00-03500/07000-020-LL-E-L-SSS0S			± 2,0		3		480			23,40	1560
W-00-03600/01800-001-LL-E-L-SSS0S	3600	1800	± 0,1	80	1	69804	200	3765	1965	331	324
W-00-03600/01800-003-LL-E-L-SSS0S			± 0,3		2		270			165	411
W-00-03600/01800-005-LL-E-L-SSS0S			± 0,5		3		340			110	498
W-00-03600/01800-010-LL-E-L-SSS0S	3600	1800	± 1,0	150	2	73845	375	3905	2105	29,49	702
W-00-03600/01800-014-LL-E-L-SSS0S			± 1,4		3		480			19,66	856
W-00-03600/01800-006-LL-E-L-SSS0S			± 0,6		1		270			28,68	565
W-00-03600/01800-013-LL-E-L-SSS0S	3600	1800	± 1,3	200	2	76607	375	4005	2205	14,34	735
W-00-03600/01800-019-LL-E-L-SSS0S			± 1,9		3		480			9,56	906
W-00-04000/02000-001-LL-E-L-SSS0S			± 0,1		1		200			450	351
W-00-04000/02000-003-LL-E-L-SSS0S	4000	2000	± 0,3	80	2	85565	270	4165	2165	225	444
W-00-04000/02000-005-LL-E-L-SSS0S			± 0,5		3		340			150	537
W-00-04000/02000-004-LL-E-L-SSS0S			± 0,4		1		270			79,76	596
W-00-04000/02000-009-LL-E-L-SSS0S	4000	2000	± 0,9	150	2	90050	375	4305	2305	39,88	762
W-00-04000/02000-013-LL-E-L-SSS0S			± 1,3		3		480			26,59	928
W-00-04000/02000-006-LL-E-L-SSS0S			± 0,6		1		270			38,61	614
W-00-04000/02000-011-LL-E-L-SSS0S	4000	2000	± 1,1	200	2	93112	375	4405	2405	19,30	799
W-00-04000/02000-017-LL-E-L-SSS0S			± 1,7		3		480			12,87	983
W-00-04000/04000-004-LL-E-L-SSS0S			± 0,4		1		270			125	755
W-00-04000/04000-009-LL-E-L-SSS0S	4000	4000	± 0,9	150	2	173400	375	4305	4305	62,46	962
W-00-04000/04000-013-LL-E-L-SSS0S			± 1,3		3		480			41,64	1168
W-00-04000/04000-006-LL-E-L-SSS0S			± 0,6		200		1			177462	270

Angular, rectangular metallic expansion joint

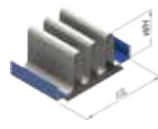
Compensator Properties	Design Temperature	≤ 530 °C
	Design Pressure	100 mbar
	Bellow Material	1.5415
	Corner Type	Double Miter
	Connection	Angle Flange
	Connection Material	1.5415
	Profile WH 80mm	L60x6
Profile WH 150/200mm	L80x8	
Sleeve Material	1.5415	
Thickness WH 80mm	3 mm	
Thickness WH 150/200mm	5 mm	
Cycles	≥ 1000	



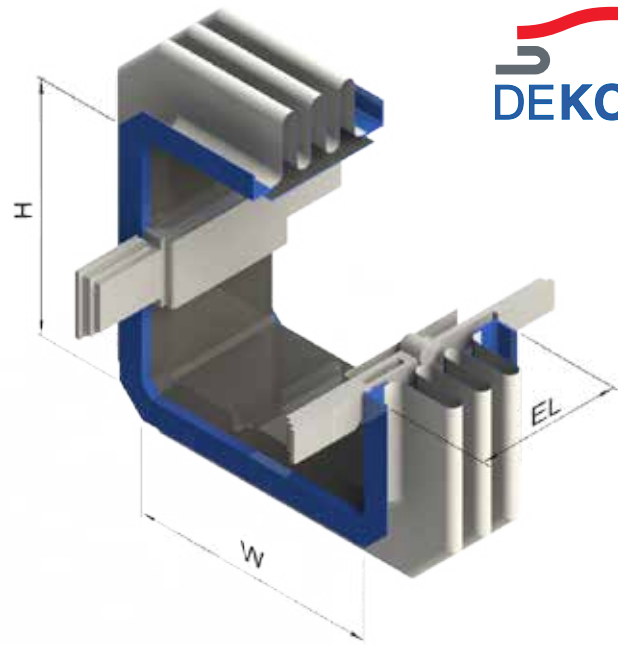
1 convolution



2 convolutions



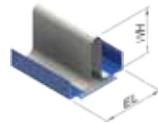
3 convolutions



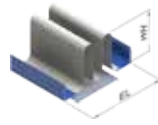
DEKOMTE Article Number	Clear Opening		Maximum Movement	Convolution Height WH	Number of Convolutions	Effective Area	Installation Length EL	Overall Dimension		Angular Adjustment Force	Weight
	Width W	Height H						Width	Height H		
	[mm]	[mm]						[mm]	[mm]		
W-00-04000/04000-011-LL-E-L-SSS0S	4000	4000	± 1,1	200	2	177462	375	4405	4405	30,03	1009
W-00-04000/04000-017-LL-E-L-SSS0S			± 1,7		3		480			20,02	1239
W-00-04000/08000-004-LL-E-L-SSS0S	4000	8000	± 0,4	150	1	340100	270	4305	8305	215	1073
W-00-04000/08000-009-LL-E-L-SSS0S			± 0,9		2		375			108	1361
W-00-04000/08000-013-LL-E-L-SSS0S			± 1,3		3		480			71,74	1649
W-00-04000/08000-006-LL-E-L-SSS0S	4000	8000	± 0,6	200	1	346162	270	4405	8405	103	1107
W-00-04000/08000-011-LL-E-L-SSS0S			± 1,1		2		375			51,48	1430
W-00-04000/08000-017-LL-E-L-SSS0S			± 1,7		3		480			34,32	1752
W-00-04400/02200-004-LL-E-L-SSS0S	4400	2200	± 0,4	150	1	107855	270	4705	2505	105	643
W-00-04400/02200-008-LL-E-L-SSS0S			± 0,8		2		375			52,46	822
W-00-04400/02200-012-LL-E-L-SSS0S			± 1,2		3		480			34,98	1000
W-00-04400/02200-005-LL-E-L-SSS0S	4400	2200	± 0,5	200	1	111217	270	4805	2605	50,60	663
W-00-04400/02200-010-LL-E-L-SSS0S			± 1,0		2		375			25,30	862
W-00-04400/02200-016-LL-E-L-SSS0S			± 1,6		3		480			16,87	1060
W-00-04500/04500-004-LL-E-L-SSS0S	4500	4500	± 0,4	150	1	217575	270	4805	4805	176	834
W-00-04500/04500-008-LL-E-L-SSS0S			± 0,8		2		375			87,86	1062
W-00-04500/04500-011-LL-E-L-SSS0S			± 1,1		3		480			58,57	1289
W-00-04500/04500-005-LL-E-L-SSS0S	4500	4500	± 0,5	200	1	222137	270	4905	4905	84,16	861
W-00-04500/04500-010-LL-E-L-SSS0S			± 1,0		2		375			42,08	1114
W-00-04500/04500-015-LL-E-L-SSS0S			± 1,5		3		480			28,05	1367
W-00-04500/09000-004-LL-E-L-SSS0S	4500	9000	± 0,4	150	1	427613	270	4805	9305	303	1192
W-00-04500/09000-008-LL-E-L-SSS0S			± 0,8		2		375			152	1511
W-00-04500/09000-011-LL-E-L-SSS0S			± 1,1		3		480			101	1829
W-00-04500/09000-005-LL-E-L-SSS0S	4500	9000	± 0,5	200	1	434425	270	4905	9405	145	1231
W-00-04500/09000-010-LL-E-L-SSS0S			± 1,0		2		375			72,30	1588
W-00-04500/09000-015-LL-E-L-SSS0S			± 1,5		3		480			48,20	1944
W-00-04800/02400-004-LL-E-L-SSS0S	4800	2400	± 0,4	150	1	127260	270	5105	2705	135	691
W-00-04800/02400-007-LL-E-L-SSS0S			± 0,7		2		375			67,45	882
W-00-04800/02400-011-LL-E-L-SSS0S			± 1,1		3		480			44,96	1072
W-00-04800/02400-005-LL-E-L-SSS0S	4800	2400	± 0,5	200	1	130922	270	5205	2805	64,85	713

Angular, rectangular metallic expansion joint

Compensator Properties	Design Temperature	≤ 530 °C
	Design Pressure	100 mbar
	Bellow Material	1.5415
	Corner Type	Double Miter
	Connection	Angle Flange
	Connection Material	1.5415
	Profile WH 80mm	L60x6
Profile WH 150/200mm	L80x8	
Sleeve Material	1.5415	
Thickness WH 80mm	3 mm	
Thickness WH 150/200mm	5 mm	
Cycles	≥ 1000	



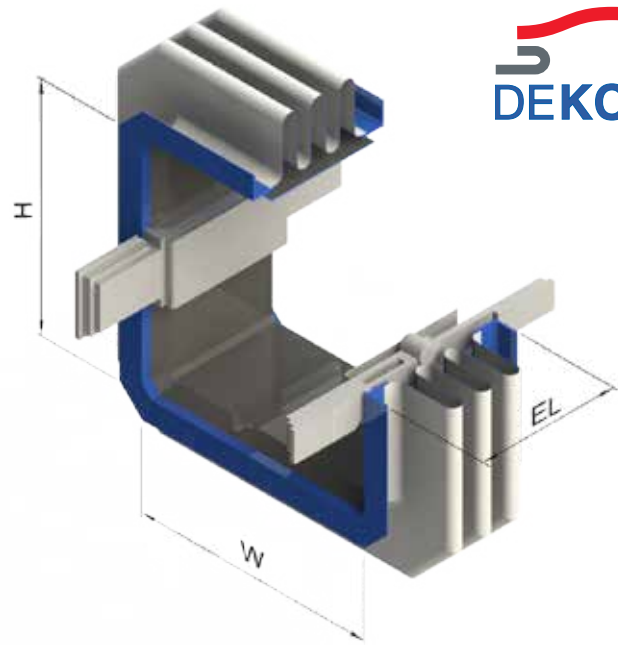
1 convolution



2 convolutions



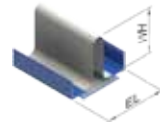
3 convolutions



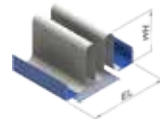
DEKOMTE Article Number	Clear Opening		Maximum Movement	Convolution Height WH	Number of Convolutions	Effective Area	Installation Length EL	Overall Dimension		Angular Adjustment Force	Weight
	Width W	Height H						Width	Height H		
	[mm]	[mm]						[mm]	[mm]		
W-00-04800/02400-010-LL-E-L-SSS0S	4800	2400	± 1,0	200	2	130922	375	5205	2805	32,42	925
W-00-04800/02400-014-LL-E-L-SSS0S			± 1,4		3		480			21,62	1137
W-00-05000/05000-003-LL-E-L-SSS0S	5000	5000	± 0,3	150	1	266750	270	5305	5305	239	914
W-00-05000/05000-007-LL-E-L-SSS0S			± 0,7		2		375			119	1161
W-00-05000/05000-010-LL-E-L-SSS0S			± 1,0		3		480			79,57	1409
W-00-05000/05000-005-LL-E-L-SSS0S	5000	5000	± 0,5	200	1	271812	270	5405	5405	114	943
W-00-05000/05000-009-LL-E-L-SSS0S			± 0,9		2		375			56,99	1219
W-00-05000/05000-014-LL-E-L-SSS0S			± 1,4		3		480			37,99	1496
W-00-05000/10000-003-LL-E-L-SSS0S	5000	10000	± 0,3	150	1	525125	270	5305	10305	413	1311
W-00-05000/10000-007-LL-E-L-SSS0S			± 0,7		2		375			206	1660
W-00-05000/10000-010-LL-E-L-SSS0S			± 1,0		3		480			138	2009
W-00-05000/10000-005-LL-E-L-SSS0S	5000	10000	± 0,5	200	1	532687	270	5405	10405	196	1354
W-00-05000/10000-009-LL-E-L-SSS0S			± 0,9		2		375			98,09	1745
W-00-05000/10000-014-LL-E-L-SSS0S			± 1,4		3		480			65,39	2137
W-00-05200/02600-003-LL-E-L-SSS0S	5200	2600	± 0,3	150	1	148265	270	5505	2905	170	739
W-00-05200/02600-007-LL-E-L-SSS0S			± 0,7		2		375			85,04	942
W-00-05200/02600-010-LL-E-L-SSS0S			± 1,0		3		480			56,69	1144
W-00-05200/02600-004-LL-E-L-SSS0S	5200	2600	± 0,4	200	1	152227	270	5605	3005	81,55	762
W-00-05200/02600-009-LL-E-L-SSS0S			± 0,9		2		375			40,77	988
W-00-05200/02600-013-LL-E-L-SSS0S			± 1,3		3		480			27,18	1214
W-00-05500/05500-003-LL-E-L-SSS0S	5500	5500	± 0,3	150	1	320925	270	5805	5805	315	993
W-00-05500/05500-006-LL-E-L-SSS0S			± 0,6		2		375			158	1261
W-00-05500/05500-009-LL-E-L-SSS0S			± 0,9		3		480			105	1529
W-00-05500/05500-004-LL-E-L-SSS0S	5500	5500	± 0,4	200	1	326487	270	5905	5905	150	1025
W-00-05500/05500-008-LL-E-L-SSS0S			± 0,8		2		375			75,06	1325
W-00-05500/05500-012-LL-E-L-SSS0S			± 1,2		3		480			50,04	1624
W-00-05500/11000-003-LL-E-L-SSS0S	5500	11000	± 0,3	150	1	632638	270	5805	11305	545	1431
W-00-05500/11000-006-LL-E-L-SSS0S			± 0,6		2		375			273	1810
W-00-05500/11000-009-LL-E-L-SSS0S			± 0,9		3		480			182	2189
W-00-05500/11000-004-LL-E-L-SSS0S	5500	11000	± 0,4	200	1	640950	270	5905	11405	259	1477

Angular, rectangular metallic expansion joint

Compensator Properties	Design Temperature	≤ 300 °C
	Design Pressure	100 mbar
	Bellow Material	1.0330
	Corner Type	Double Miter
	Connection	Angle Flange
	Connection Material	1.0038
	Profile WH 80mm	L60x6
Profile WH 150/200mm	L80x8	
Sleeve Material	1.0038	
Thickness WH 80mm	3 mm	
Thickness WH 150/200mm	5 mm	
Cycles	≥ 1000	



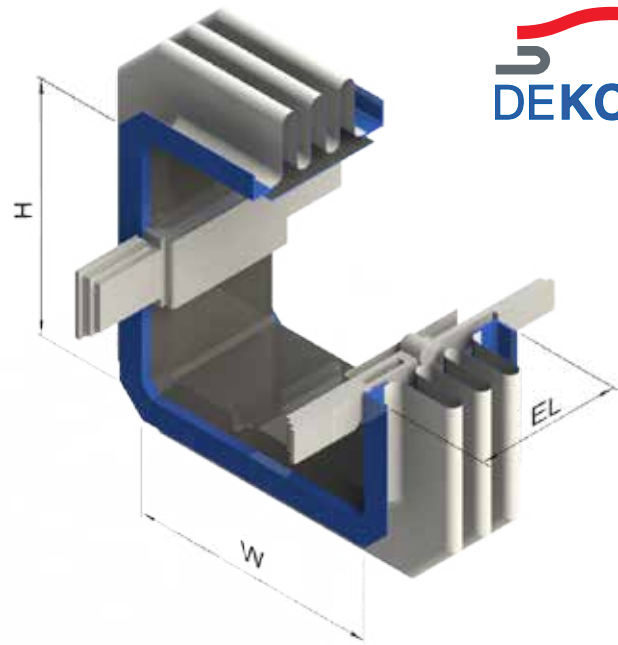
1 convolution



2 convolutions



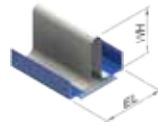
3 convolutions



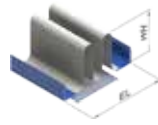
DEKOMTE Article Number	Clear Opening		Maximum Movement	Convolution Height WH	Number of Convolutions	Effective Area	Installation Length EL	Overall Dimension		Angular Adjustment Force	Weight
	Width W	Height H						Width	Height H		
	[mm]	[mm]						[mm]	[mm]		
W-00-05500/11000-008-LL-E-L-SSS0S	5500	11000	± 0,8	200	2	640950	375	5905	11405	129	1903
W-00-05500/11000-012-LL-E-L-SSS0S			± 1,2		3		480			86,25	2329
W-00-05600/02800-003-LL-E-L-SSS0S	5600	2800	± 0,3	150	1	170870	270	5905	3105	211	787
W-00-05600/02800-006-LL-E-L-SSS0S			± 0,6		2		375			105	1002
W-00-05600/02800-009-LL-E-L-SSS0S			± 0,9		3		480			70,30	1217
W-00-05600/02800-004-LL-E-L-SSS0S	5600	2800	± 0,4	200	1	175132	270	6005	3205	101	811
W-00-05600/02800-008-LL-E-L-SSS0S			± 0,8		2		375			50,45	1051
W-00-05600/02800-012-LL-E-L-SSS0S			± 1,2		3		480			33,63	1291
W-00-06000/03000-003-LL-E-L-SSS0S	6000	3000	± 0,3	150	1	195075	270	6305	3305	258	834
W-00-06000/03000-006-LL-E-L-SSS0S			± 0,6		2		375			129	1062
W-00-06000/03000-009-LL-E-L-SSS0S			± 0,9		3		480			85,93	1289
W-00-06000/03000-004-LL-E-L-SSS0S	6000	3000	± 0,4	200	1	199637	270	6405	3405	123	861
W-00-06000/03000-008-LL-E-L-SSS0S			± 0,8		2		375			61,54	1114
W-00-06000/03000-011-LL-E-L-SSS0S			± 1,1		3		480			41,03	1367
W-00-06000/06000-003-LL-E-L-SSS0S	6000	6000	± 0,3	150	1	380100	270	6305	6305	407	1073
W-00-06000/06000-006-LL-E-L-SSS0S			± 0,6		2		375			203	1361
W-00-06000/06000-009-LL-E-L-SSS0S			± 0,9		3		480			136	1649
W-00-06000/06000-004-LL-E-L-SSS0S	6000	6000	± 0,4	200	1	386162	270	6405	6405	193	1107
W-00-06000/06000-008-LL-E-L-SSS0S			± 0,8		2		375			96,60	1430
W-00-06000/06000-011-LL-E-L-SSS0S			± 1,1		3		480			64,40	1752
W-00-06000/12000-003-LL-E-L-SSS0S	6000	12000	± 0,3	150	1	750150	270	6305	12305	704	1550
W-00-06000/12000-006-LL-E-L-SSS0S			± 0,6		2		375			352	1960
W-00-06000/12000-009-LL-E-L-SSS0S			± 0,9		3		480			235	2370
W-00-06000/12000-004-LL-E-L-SSS0S	6000	12000	± 0,4	200	1	759212	270	6405	12405	333	1601
W-00-06000/12000-008-LL-E-L-SSS0S			± 0,8		2		375			167	2061
W-00-06000/12000-011-LL-E-L-SSS0S			± 1,1		3		480			111	2521
W-00-06500/06500-003-LL-E-L-SSS0S	6500	6500	± 0,3	150	1	444275	270	6805	6805	514	1152
W-00-06500/06500-005-LL-E-L-SSS0S			± 0,5		2		375			257	1461
W-00-06500/06500-008-LL-E-L-SSS0S			± 0,8		3		480			171	1769
W-00-06500/06500-004-LL-E-L-SSS0S	6500	6500	± 0,4	200	1	450837	270	6905	6905	244	1189

Angular, rectangular metallic expansion joint

Compensator Properties	Design Temperature	≤ 530 °C
	Design Pressure	100 mbar
	Bellow Material	1.5415
	Corner Type	Double Miter
	Connection	Angle Flange
	Connection Material	1.5415
	Profile WH 80mm	L60x6
Profile WH 150/200mm	L80x8	
Sleeve Material	1.5415	
Thickness WH 80mm	3 mm	
Thickness WH 150/200mm	5 mm	
Cycles	≥ 1000	



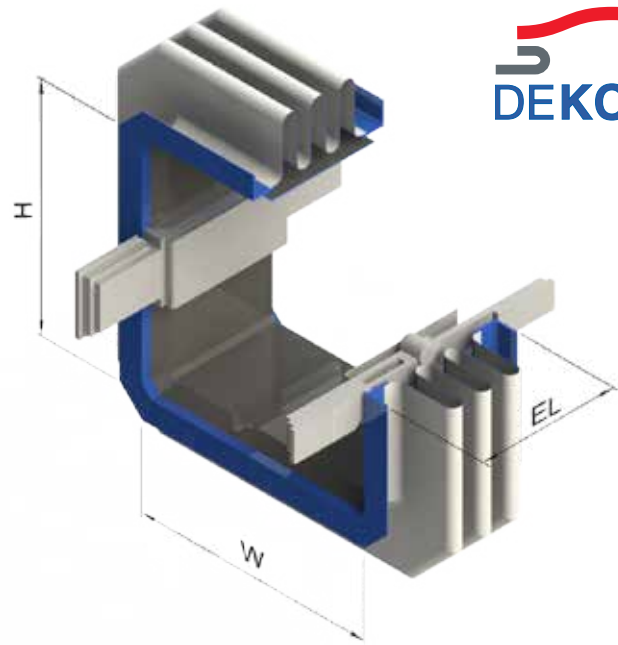
1 convolution



2 convolutions



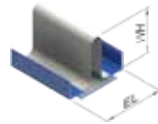
3 convolutions



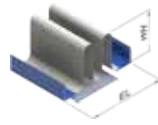
DEKOMTE Article Number	Clear Opening		Maximum Movement	Convolution Height WH	Number of Convolutions	Effective Area	Installation Length EL	Overall Dimension		Angular Adjustment Force	Weight
	Width W	Height H						Width	Height H		
	[mm]	[mm]						[mm]	[mm]		
W-00-06500/06500-007-LL-E-L-SSS0S	6500	6500	± 0,7	200	2	450837	375	6905	6905	122	1535
W-00-06500/06500-011-LL-E-L-SSS0S			± 1,1		3		480			81,27	1880
W-00-06500/13000-003-LL-E-L-SSS0S	6500	13000	± 0,3	150	1	877663	270	6805	13305	891	1669
W-00-06500/13000-005-LL-E-L-SSS0S			± 0,5		2		375			445	2110
W-00-06500/13000-008-LL-E-L-SSS0S			± 0,8		3		480			297	2550
W-00-06500/13000-004-LL-E-L-SSS0S	6500	13000	± 0,4	200	1	887475	270	6905	13405	421	1724
W-00-06500/13000-007-LL-E-L-SSS0S			± 0,7		2		375			211	2219
W-00-06500/13000-011-LL-E-L-SSS0S			± 1,1		3		480			140	2713
W-00-07000/03500-002-LL-E-L-SSS0S	7000	3500	± 0,2	150	1	262588	270	7305	3805	404	954
W-00-07000/03500-005-LL-E-L-SSS0S			± 0,5		2		375			202	1211
W-00-07000/03500-003-LL-E-L-SSS0S	7000	3500	± 0,3	200	1	267900	270	7405	3905	192	984
W-00-07000/03500-007-LL-E-L-SSS0S			± 0,7		2		375			96,13	1272
W-00-07000/03500-010-LL-E-L-SSS0S			± 1,0		3		480			64,08	1560
W-00-07000/07000-002-LL-E-L-SSS0S	7000	7000	± 0,2	150	1	513450	270	7305	7305	639	1232
W-00-07000/07000-005-LL-E-L-SSS0S			± 0,5		2		375			319	1561
W-00-07000/07000-003-LL-E-L-SSS0S	7000	7000	± 0,3	200	1	520512	270	7405	7405	303	1272
W-00-07000/07000-007-LL-E-L-SSS0S			± 0,7		2		375			151	1640
W-00-07000/07000-010-LL-E-L-SSS0S			± 1,0		3		480			101	2008
W-00-07000/14000-002-LL-E-L-SSS0S	7000	14000	± 0,2	150	1	1015175	270	7305	14305	1108	1789
W-00-07000/14000-005-LL-E-L-SSS0S			± 0,5		2		375			554	2259
W-00-07000/14000-003-LL-E-L-SSS0S	7000	14000	± 0,3	200	1	1025737	270	7405	14405	523	1847
W-00-07000/14000-007-LL-E-L-SSS0S			± 0,7		2		375			262	2377
W-00-07000/14000-010-LL-E-L-SSS0S			± 1,0		3		480			174	2906
W-00-07500/07500-002-LL-E-L-SSS0S	7500	7500	± 0,2	150	1	587625	270	7805	7805	782	1311
W-00-07500/07500-005-LL-E-L-SSS0S			± 0,5		2		375			391	1660
W-00-07500/07500-007-LL-E-L-SSS0S			± 0,7		3		480			261	2009
W-00-07500/07500-003-LL-E-L-SSS0S	7500	7500	± 0,3	200	1	595187	270	7905	7905	370	1354
W-00-07500/07500-006-LL-E-L-SSS0S			± 0,6		2		375			185	1745
W-00-07500/07500-009-LL-E-L-SSS0S			± 0,9		3		480			123	2137
W-00-07500/15000-002-LL-E-L-SSS0S	7500	15000	± 0,2	150	1	1162688	270	7805	15305	1358	1908

Angular, rectangular metallic expansion joint

Compensator Properties	Design Temperature	≤ 530 °C
	Design Pressure	100 mbar
	Bellow Material	1.5415
	Corner Type	Double Miter
	Connection	Angle Flange
	Connection Material	1.5415
	Profile WH 80mm	L60x6
Profile WH 150/200mm	L80x8	
Sleeve Material	1.5415	
Thickness WH 80mm	3 mm	
Thickness WH 150/200mm	5 mm	
Cycles	≥ 1000	



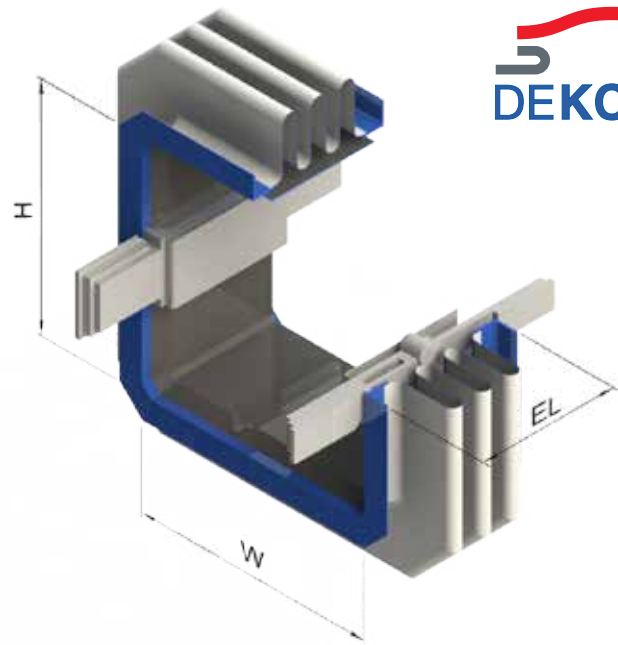
1 convolution



2 convolutions



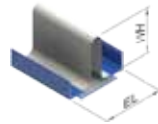
3 convolutions



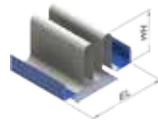
DEKOMTE Article Number	Clear Opening		Maximum Movement	Convolution Height WH	Number of Convolutions	Effective Area	Installation Length EL	Overall Dimension		Angular Adjustment Force	Weight
	Width W	Height H						Width	Height H		
	[mm]	[mm]						[mm]	[mm]		
W-00-07500/15000-005-LL-E-L-SSS0S	7500	15000	± 0,5	150	2	1162688	375	7805	15305	679	2409
W-00-07500/15000-007-LL-E-L-SSS0S			± 0,7		3		480			453	2910
W-00-07500/15000-003-LL-E-L-SSS0S	7500	15000	± 0,3	200	1	1174000	270	7905	15405	640	1970
W-00-07500/15000-006-LL-E-L-SSS0S			± 0,6		2		375			320	2534
W-00-07500/15000-009-LL-E-L-SSS0S			± 0,9		3		480			213	3098
W-00-08000/04000-002-LL-E-L-SSS0S	8000	4000	± 0,2	150	1	340100	270	8305	4305	598	1073
W-00-08000/04000-004-LL-E-L-SSS0S			± 0,4		2		375			299	1361
W-00-08000/04000-003-LL-E-L-SSS0S	8000	4000	± 0,3	200	1	346162	270	8405	4405	283	1107
W-00-08000/04000-006-LL-E-L-SSS0S			± 0,6		2		375			142	1430
W-00-08000/04000-009-LL-E-L-SSS0S			± 0,9		3		480			94,48	1752
W-00-08000/08000-002-LL-E-L-SSS0S	8000	8000	± 0,2	150	1	666800	270	8305	8305	946	1391
W-00-08000/08000-004-LL-E-L-SSS0S			± 0,4		2		375			473	1760
W-00-08000/08000-003-LL-E-L-SSS0S	8000	8000	± 0,3	200	1	674862	270	8405	8405	447	1436
W-00-08000/08000-006-LL-E-L-SSS0S			± 0,6		2		375			223	1851
W-00-08000/08000-009-LL-E-L-SSS0S			± 0,9		3		480			149	2265
W-00-08000/16000-002-LL-E-L-SSS0S	8000	16000	± 0,2	150	1	1320200	270	8305	16305	1643	2027
W-00-08000/16000-004-LL-E-L-SSS0S			± 0,4		2		375			821	2559
W-00-08000/16000-003-LL-E-L-SSS0S	8000	16000	± 0,3	200	1	1332262	270	8405	16405	774	2094
W-00-08000/16000-006-LL-E-L-SSS0S			± 0,6		2		375			387	2692
W-00-08000/16000-009-LL-E-L-SSS0S			± 0,9		3		480			258	3290
W-00-08500/08500-002-LL-E-L-SSS0S	8500	8500	± 0,2	150	1	750975	270	8805	8805	1131	1470
W-00-08500/08500-004-LL-E-L-SSS0S			± 0,4		2		375			566	1860
W-00-08500/08500-006-LL-E-L-SSS0S			± 0,6		3		480			377	2250
W-00-08500/08500-003-LL-E-L-SSS0S	8500	8500	± 0,3	200	1	759537	270	8905	8905	534	1518
W-00-08500/08500-005-LL-E-L-SSS0S			± 0,5		2		375			267	1956
W-00-08500/08500-008-LL-E-L-SSS0S			± 0,8		3		480			178	2393
W-00-08500/17000-002-LL-E-L-SSS0S	8500	17000	± 0,2	150	1	1487713	270	8805	17305	1965	2146
W-00-08500/17000-004-LL-E-L-SSS0S			± 0,4		2		375			982	2709
W-00-08500/17000-006-LL-E-L-SSS0S			± 0,6		3		480			655	3271
W-00-08500/17000-003-LL-E-L-SSS0S	8500	17000	± 0,3	200	1	1500525	270	8905	17405	925	2217

Angular, rectangular metallic expansion joint

Compensator Properties	Design Temperature	≤ 530 °C
	Design Pressure	100 mbar
	Bellow Material	1.5415
	Corner Type	Double Miter
	Connection	Angle Flange
	Connection Material	1.5415
	Profile WH 80mm	L60x6
	Profile WH 150/200mm	L80x8
	Sleeve Material	1.5415
	Thickness WH 80mm	3 mm
Thickness WH 150/200mm	5 mm	
Cycles	≥ 1000	



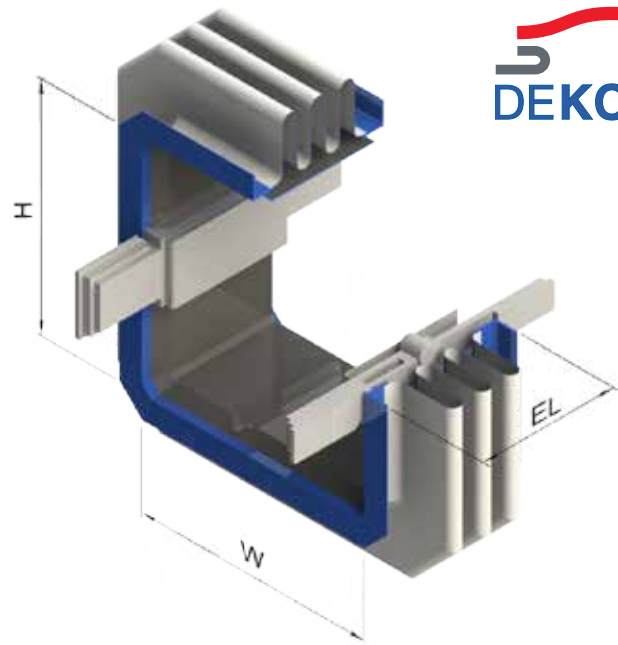
1 convolution



2 convolutions



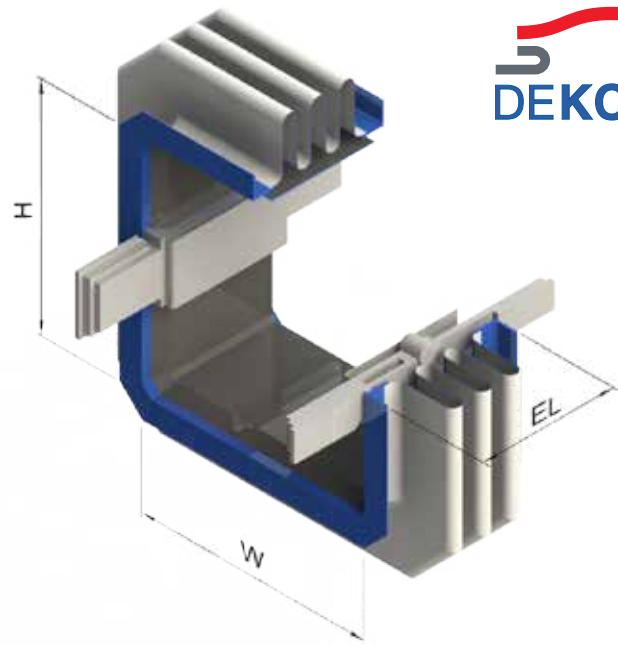
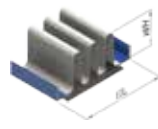
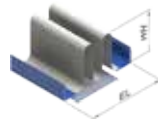
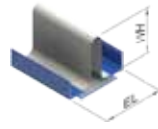
3 convolutions



DEKOMTE Article Number	Clear Opening		Maximum Movement	Convolution Height WH	Number of Convolutions	Effective Area	Installation Length EL	Overall Dimension		Angular Adjustment Force	Weight
	Width W	Height H						Width	Height H		
	[mm]	[mm]						[mm]	[mm]		
W-00-08500/17000-005-LL-E-L-SSS0S	8500	17000	± 0,5	200	2	1500525	375	8905	17405	462	2850
W-00-08500/17000-008-LL-E-L-SSS0S			± 0,8		3		480			308	3482
W-00-09000/04500-002-LL-E-L-SSS0S	9000	4500	± 0,2	150	1	427613	270	9305	4805	845	1192
W-00-09000/04500-004-LL-E-L-SSS0S			± 0,4		2		375			423	1511
W-00-09000/04500-006-LL-E-L-SSS0S			± 0,6		3		480			282	1829
W-00-09000/04500-003-LL-E-L-SSS0S	9000	4500	± 0,3	200	1	434425	270	9405	4905	400	1231
W-00-09000/04500-005-LL-E-L-SSS0S			± 0,5		2		375			200	1588
W-00-09000/04500-008-LL-E-L-SSS0S			± 0,8		3		480			133	1944
W-00-09000/09000-002-LL-E-L-SSS0S	9000	9000	± 0,2	150	1	840150	270	9305	9305	1339	1550
W-00-09000/09000-004-LL-E-L-SSS0S			± 0,4		2		375			669	1960
W-00-09000/09000-006-LL-E-L-SSS0S			± 0,6		3		480			446	2370
W-00-09000/09000-003-LL-E-L-SSS0S	9000	9000	± 0,3	200	1	849212	270	9405	9405	631	1601
W-00-09000/09000-005-LL-E-L-SSS0S			± 0,5		2		375			316	2061
W-00-09000/09000-008-LL-E-L-SSS0S			± 0,8		3		480			210	2521
W-00-09000/18000-002-LL-E-L-SSS0S	9000	18000	± 0,2	150	1	1665225	270	9305	18305	2327	2266
W-00-09000/18000-004-LL-E-L-SSS0S			± 0,4		2		375			1163	2858
W-00-09000/18000-006-LL-E-L-SSS0S			± 0,6		3		480			776	3451
W-00-09000/18000-003-LL-E-L-SSS0S	9000	18000	± 0,3	200	1	1678787	270	9405	18405	1094	2340
W-00-09000/18000-005-LL-E-L-SSS0S			± 0,5		2		375			547	3008
W-00-09000/18000-008-LL-E-L-SSS0S			± 0,8		3		480			365	3675
W-00-09500/09500-002-LL-E-L-SSS0S	9500	9500	± 0,2	150	1	934325	270	9805	9805	1571	1630
W-00-09500/09500-004-LL-E-L-SSS0S			± 0,4		2		375			785	2060
W-00-09500/09500-005-LL-E-L-SSS0S	9500	9500	± 0,5	200	2	943887	375	9905	9905	370	2166
W-00-09500/09500-007-LL-E-L-SSS0S			± 0,7		3		480			247	2649
W-00-09500/19000-002-LL-E-L-SSS0S	9500	19000	± 0,2	150	1	1852738	270	9805	19305	2730	2385
W-00-09500/19000-004-LL-E-L-SSS0S			± 0,4		2		375			1365	3008
W-00-09500/19000-005-LL-E-L-SSS0S	9500	19000	± 0,5	200	2	1867050	375	9905	19405	642	3165
W-00-09500/19000-007-LL-E-L-SSS0S			± 0,7		3		480			428	3867
W-00-10000/05000-002-LL-E-L-SSS0S	10000	5000	± 0,2	150	1	525125	270	10305	5305	1152	1311
W-00-10000/05000-003-LL-E-L-SSS0S			± 0,3		2		375			576	1660

Angular, rectangular metallic expansion joint

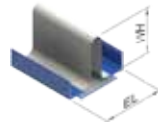
Compensator Properties	Design Temperature	≤ 530 °C
	Design Pressure	100 mbar
	Bellow Material	1.5415
	Corner Type	Double Miter
	Connection	Angle Flange
	Connection Material	1.5415
	Profile WH 80mm	L60x6
Profile WH 150/200mm	L80x8	
Sleeve Material	1.5415	
Thickness WH 80mm	3 mm	
Thickness WH 150/200mm	5 mm	
Cycles	≥ 1000	



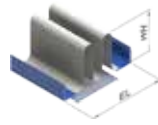
DEKOMTE Article Number	Clear Opening		Maximum Movement	Convolution Height WH	Number of Convolutions	Effective Area	Installation Length EL	Overall Dimension		Angular Adjustment Force	Weight
	Width W	Height H						Width	Height H		
	[mm]	[mm]						[mm]	[mm]		
W-00-10000/05000-005-LL-E-L-SSS0S	10000	5000	± 0,5	200	2	532687	375	10405	5405	272	1745
W-00-10000/05000-007-LL-E-L-SSS0S			± 0,7		3		480			181	2137
W-00-10000/10000-002-LL-E-L-SSS0S	10000	10000	± 0,2	150	1	1033500	270	10305	10305	1828	1709
W-00-10000/10000-003-LL-E-L-SSS0S			± 0,3		2		375			914	2160
W-00-10000/10000-005-LL-E-L-SSS0S	10000	10000	± 0,5	200	2	1043562	375	10405	10405	430	2271
W-00-10000/10000-007-LL-E-L-SSS0S			± 0,7		3		480			287	2777
W-00-10000/20000-002-LL-E-L-SSS0S	10000	20000	± 0,2	150	1	2050250	270	10305	20305	3178	2504
W-00-10000/20000-003-LL-E-L-SSS0S			± 0,3		2		375			1589	3158
W-00-10000/20000-005-LL-E-L-SSS0S	10000	20000	± 0,5	200	2	2065312	375	10405	20405	746	3323
W-00-10000/20000-007-LL-E-L-SSS0S			± 0,7		3		480			498	4059
W-00-11000/05500-002-LL-E-L-SSS0S	11000	5500	± 0,2	150	1	632638	270	11305	5805	1526	1431
W-00-11000/05500-003-LL-E-L-SSS0S			± 0,3		2		375			763	1810
W-00-11000/05500-005-LL-E-L-SSS0S			± 0,5		3		480			509	2189
W-00-11000/05500-004-LL-E-L-SSS0S	11000	5500	± 0,4	200	2	640950	375	11405	5905	360	1903
W-00-11000/05500-006-LL-E-L-SSS0S			± 0,6		3		480			240	2329
W-00-12000/06000-001-LL-E-L-SSS0S	12000	6000	± 0,1	150	1	750150	270	12305	6305	1974	1550
W-00-12000/06000-003-LL-E-L-SSS0S			± 0,3		2		375			987	1960
W-00-12000/06000-002-LL-E-L-SSS0S	12000	6000	± 0,2	200	1	759212	270	12405	6405	929	1601
W-00-12000/06000-004-LL-E-L-SSS0S			± 0,4		2		375			465	2061
W-00-12000/06000-006-LL-E-L-SSS0S			± 0,6		3		480			310	2521
W-00-13000/06500-001-LL-E-L-SSS0S	13000	6500	± 0,1	150	1	877663	270	13305	6805	2501	1669
W-00-13000/06500-003-LL-E-L-SSS0S			± 0,3		2		375			1250	2110
W-00-13000/06500-002-LL-E-L-SSS0S	13000	6500	± 0,2	200	1	887475	270	13405	6905	1176	1724
W-00-13000/06500-004-LL-E-L-SSS0S			± 0,4		2		375			588	2219
W-00-13000/06500-005-LL-E-L-SSS0S			± 0,5		3		480			392	2713
W-00-14000/07000-001-LL-E-L-SSS0S	14000	7000	± 0,1	150	1	1015175	270	14305	7305	3114	1789
W-00-14000/07000-004-LL-E-L-SSS0S			± 0,4		3		480			1038	2730
W-00-14000/07000-002-LL-E-L-SSS0S	14000	7000	± 0,2	200	1	1025737	270	14405	7405	1463	1847
W-00-14000/07000-003-LL-E-L-SSS0S			± 0,3		2		375			731	2377
W-00-14000/07000-005-LL-E-L-SSS0S			± 0,5		3		480			488	2906

Angular, rectangular metallic expansion joint

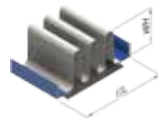
Compensator Properties	Design Temperature	≤ 530 °C
	Design Pressure	100 mbar
	Bellow Material	1.5415
	Corner Type	Double Miter
	Connection	Angle Flange
	Connection Material	1.5415
	Profile WH 80mm	L60x6
Profile WH 150/200mm	L80x8	
Sleeve Material	1.5415	
Thickness WH 80mm	3 mm	
Thickness WH 150/200mm	5 mm	
Cycles	≥ 1000	



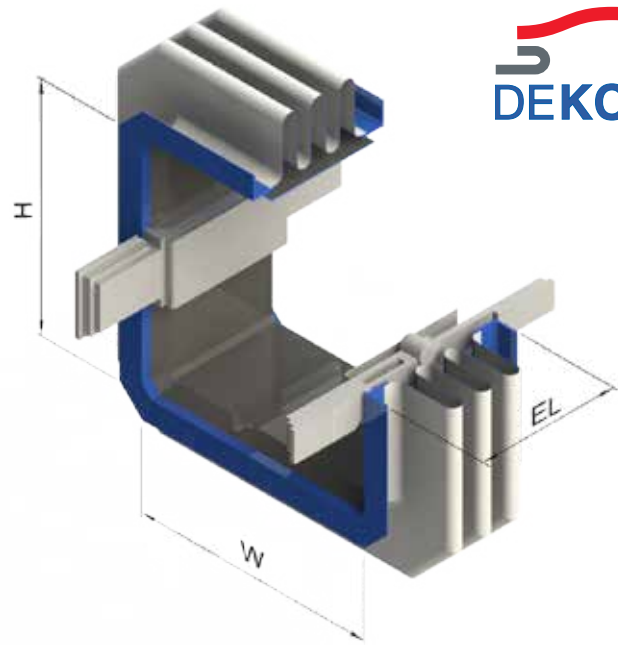
1 convolution



2 convolutions

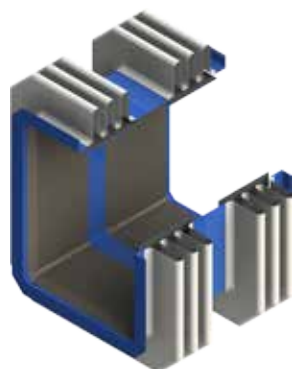


3 convolutions



DEKOMTE Article Number	Clear Opening		Maximum Movement	Convolution Height WH	Number of Convolutions	Effective Area	Installation Length EL	Overall Dimension		Angular Adjustment Force	Weight	
	Width W	Height H						Width	Height H			
	[mm]	[mm]						[mm]	[mm]			
W-00-15000/07500-001-LL-E-L-SSS0S	15000	7500	± 0,1	150	1	1162688	270	15305	7805	3821	1908	
W-00-15000/07500-002-LL-E-L-SSS0S	15000	7500	± 0,2	200	1	1174000	270	15405	7905	1793	1970	
W-00-15000/07500-003-LL-E-L-SSS0S			± 0,3		2		375			897		
W-00-15000/07500-005-LL-E-L-SSS0S			± 0,5		3		480			598		3098
W-00-16000/08000-001-LL-E-L-SSS0S	16000	8000	± 0,1	150	1	1320200	270	16305	8305	4627	2027	
W-00-16000/08000-002-LL-E-L-SSS0S			± 0,2		2		375			2313		2559
W-00-16000/08000-003-LL-E-L-SSS0S	16000	8000	± 0,3	200	2	1332262	375	16405	8405	1085	2692	
W-00-16000/08000-004-LL-E-L-SSS0S			± 0,4		3		480			723		3290
W-00-17000/08500-001-LL-E-L-SSS0S	17000	8500	± 0,1	150	1	1487713	270	17305	8805	5539	2146	
W-00-17000/08500-002-LL-E-L-SSS0S			± 0,2		2		375			2769		2709
W-00-17000/08500-003-LL-E-L-SSS0S	17000	8500	± 0,3	200	2	1500525	375	17405	8905	1298	2850	
W-00-17000/08500-004-LL-E-L-SSS0S			± 0,4		3		480			865		3482
W-00-18000/09000-001-LL-E-L-SSS0S	18000	9000	± 0,1	150	1	1665225	270	18305	9305	6563	2266	
W-00-18000/09000-002-LL-E-L-SSS0S			± 0,2		2		375			3282		2858
W-00-18000/09000-003-LL-E-L-SSS0S	18000	9000	± 0,3	200	2	1678787	375	18405	9405	1537	3008	
W-00-18000/09000-004-LL-E-L-SSS0S			± 0,4		3		480			1025		3675
W-00-19000/09500-001-LL-E-L-SSS0S	19000	9500	± 0,1	150	1	1852738	270	19305	9805	7707	2385	
W-00-19000/09500-002-LL-E-L-SSS0S			± 0,2		2		375			3854		3008
W-00-19000/09500-003-LL-E-L-SSS0S			± 0,3		3		480			2569		3631
W-00-19000/09500-004-LL-E-L-SSS0S	19000	9500	± 0,4	200	3	1867050	480	19405	9905	1203	3867	
W-00-20000/10000-001-LL-E-L-SSS0S	20000	10000	± 0,1	150	1	2050250	270	20305	10305	8977	2504	
W-00-20000/10000-002-LL-E-L-SSS0S			± 0,2		2		375			4488		3158
W-00-20000/10000-003-LL-E-L-SSS0S			± 0,3		3		480			2992		3811

Rectangular, lateral metallic expansion joints



Lateral expansion joints compensate vertical as well as horizontal offset of the axes perpendicular to the pipe axis. They consist of two metallic bellows that are connected by a middle tube. The flexibility depends on the bellow as well as on the length of the intermediate piece. Axial movements of specially designed expansion joints are enabled by slotted holes in the hinge. This changes the prerequisites for the bearings and fixed points in the system.

Gimbal metallic expansion joints



Gimbal expansion joints absorb angular movement in spherical compensation systems in two planes. The axial reaction forces are taken up by the hinges. Therefore there are no special requirements concerning pipe layout and selection of fixed points. Angular adjustment force and friction moment of the hinges have to be considered.

Axial movements of specially designed expansion joints are enabled by slotted holes in the hinge. This changes the prerequisites for the bearings and fixed points in the system.

The types shown on this page are used in special cases. Please do not hesitate to contact us for a detailed consultation or a specific offer.

Kunde: <i>Customer:</i>	Telefon: <i>Phone:</i>	Sachbearbeiter: <i>Contact person:</i>
Straße: <i>Street:</i>	Telefax: <i>Fax:</i>	Telefon: <i>Phone:</i>
Ort: <i>City:</i>	Land: <i>Country:</i>	E-Mail: <i>E-mail:</i>

Anfrage Nr.: <i>Inquiry no.:</i>	Projekt Nr.: <i>Project no.:</i>	Projekt: <i>Project:</i>
Bezeichnung: <i>Item:</i>	Stück: <i>Quantity:</i>	

Balg Typ <i>Bellow type</i>	<input type="checkbox"/> Einlagig <i>Single layer</i>	<input type="checkbox"/> Mehrlagig <i>Multi layer</i>	Werkstoff <i>Material</i>
Eckenausführung <i>Corner type</i>	<input type="checkbox"/> Einfache Gehrung <i>Single miter corner</i>	<input type="checkbox"/> Doppelte Gehrung <i>Double miter corner</i>	<input type="checkbox"/> Runde Ecke <i>Round corner</i>

Abmessung <i>Size</i>	Lichtes Maß Kanal (kurze Seite) <i>Clear opening duct (short side)</i>	[mm]	Lichtes Maß Kanal (lange Seite) <i>Clear opening duct (long side)</i>	[mm]
	Lichtes Maß Kompensator (kurze Seite) <i>Clear opening expansion joint (short side)</i>	[mm]	Lichtes Maß Kompensator (lange Seite) <i>Clear opening expansion joint (long side)</i>	[mm]
	Einbaulänge <i>Installation length</i>	[mm]		

Anschluß <i>End connections</i>	Anschlußart <i>Connection type</i>	<input type="checkbox"/> Flansch <i>Flange</i>	<input type="checkbox"/> Schweißende <i>Weld end</i>	Anschlußart <i>Connection type</i>	<input type="checkbox"/> Flansch <i>Flange</i>	<input type="checkbox"/> Schweißende <i>Weld end</i>
	Abmessung Einlassseite <i>Dimension inlet side</i>	[mm]		Abmessung Auslassseite <i>Dimension outlet side</i>	[mm]	
	Werkstoff <i>Material</i>					

Medium <i>Media</i>	<input type="checkbox"/> Luft <i>Air</i>	<input type="checkbox"/> Abgas <i>Flue gas</i>	<input type="checkbox"/> Rauchgas <i>Waste gas</i>	<input type="checkbox"/> Sonstiges <i>Other</i>	
	Staubbelastung <i>Dust</i>	<input type="checkbox"/> Nein <i>No</i>	<input type="checkbox"/> Ja <i>Yes</i>	Staubgehalt <i>Dust content</i>	[mg/m³]
	Leitblech <i>Flow plate</i>	<input type="checkbox"/> Nein <i>No</i>	<input type="checkbox"/> Ja <i>Yes</i>	Werkstoff <i>Material</i>	
	Strömungsgeschwindigkeit <i>Flow velocity</i>	[m/s]			

Druck <i>Pressure</i>	Betriebsdruck <i>Operating pressure</i>	[mbar]	Auslegungsdruck <i>Design pressure</i>	[mbar]
Temperatur <i>Temperature</i>	Betriebstemperatur <i>Operating temperature</i>	[°C]	Auslegungstemperatur <i>Operating temperature</i>	[°C]

Bewegungen <i>Movements</i>	Axiale Stauchung <i>Axial compression</i>	[mm]	Axiale Streckung <i>Axial extension</i>	[mm]
	Winkel (parallel zur kurzen Seite) <i>Angular (parallel to short side)</i>	[°]	Winkel (parallel zur langen Seite) <i>Angular (parallel to long side)</i>	[°]
	Lateral (parallel zur kurzen Seite) <i>Lateral (parallel to short side)</i>	[mm]	Lateral (parallel zur langen Seite) <i>Lateral (parallel to long side)</i>	[mm]
	Laterale Vorspannung (kurze Seite) <i>Pre-set lateral (short side)</i>	[mm]	Laterale Vorspannung (lange Seite) <i>Pre-set lateral (long side)</i>	[mm]

Maximale Verstellkraft <i>Maximum adjustment force</i>	Axial / Axial	[N/mm]		
	Winkel (parallel zur kurzen Seite) <i>Angular (parallel to short side)</i>	[N/°]	Winkel (parallel zur langen Seite) <i>Angular (parallel to long side)</i>	[N/°]
	Lateral (parallel zur kurzen Seite) <i>Lateral (parallel to short side)</i>	[kN/mm]	Lateral (parallel zur langen Seite) <i>Lateral (parallel to long side)</i>	[kN/mm]

Subject to modifications and errors without notice. All images similar.

All rights reserved. The reproduction, translation or distribution of information or data, in particular the use of texts or text extracts, or pictures or graphical information is not permitted without the prior written permission.



• Head Office

DEKOMTE de Temple
Kompensator-Technik GmbH
Walinusstraße 13
63500 Seligenstadt
Germany

Phone: +49 - 6182 - 21014
Fax: +49 - 6182 - 2101400

E-Mail: info@dekomte.com
Web: www.dekomte.com

