

▼ Shown from top to bottom: P802, P842, P202, P142



- Lightweight and compact design
- Durable glass-filled nylon reservoir and nylon encapsulated aluminum pump base for maximum corrosion resistance
- Two-speed operation reduces handle strokes by as much as 78% over single-speed pumps
- Lower handle effort to minimize operator fatigue
- Integral 4-way valve on P842 for operation of double-acting cylinders
- Handle lock and lightweight construction for easy carrying
- Large oil capacities to power a wide range of cylinders or tools
- Non-conductive fiberglass handle for improved operator safety
- Internal pressure relief valve for overload protection.

▼ Cylinder-pump set SCR254H used to support the construction while monitoring pressure and load with the gauge.



Exclusively from Enerpac



Cylinder Matching Chart

For help in selecting the correct hand pump for your application, please refer to the Cylinder Matching Chart located in the 'Yellow Pages'.

Page: 402



Speed Chart

To determine how a specific pump will operate your cylinder, see the Pump-Cylinder Speed Chart in the 'Yellow Pages'.

Page: 409



Tank Kits:

When a return-to-tank port is required, the Tank Kits provide a 7/16"-20 UN port at the rear of the reservoir.

PC20	Fits P141, P142
PC25	Fits P202, P391, P392



Premium Hydraulic Oil

Use only genuine Enerpac Hydraulic Oil. The use of any other fluid will render your Enerpac warranty null and void.

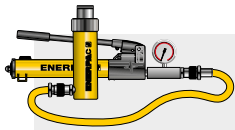
Page: 140

Pump Type	Usable Oil Capacity (in ³)	Model Number	Pressure Rating ²⁾ (psi)		Oil Displacement per Stroke (in ³)		Max. Handle Effort (lbs)
			1 st stage	2 nd stage	1 st stage	2 nd stage	
Single-Speed	20	P141	-	10,000	-	0.055	72
	55	P391	-	10,000	-	0.151	85
Two-Speed	20	P142 ¹⁾	200	10,000	0.221	0.055	78
	55	P202	200	10,000	0.221	0.055	63
	55	P392 ¹⁾	200	10,000	0.687	0.151	93
	155	P802	400	10,000	2.40	0.151	95
	155	P842 ³⁾	400	10,000	2.40	0.151	95

¹⁾ Available as set, see note on next page. P392 also available in Power Box Set (page 11).

²⁾ Contact Enerpac for applications where operating pressure is less than 10% of pressure rating.

³⁾ P842 for use with double-acting cylinders



Pump-Cylinder Sets

All pumps marked with an * are available as sets (pump, cylinder, gauge, couplers and hose) for your ordering convenience.

Page: 6

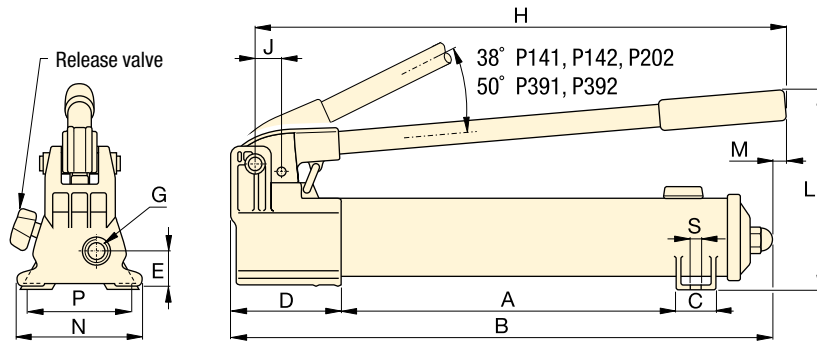
P Series



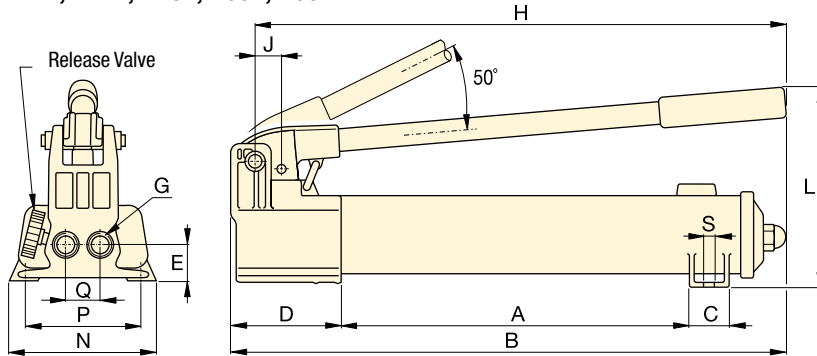
Reservoir Capacity:
20 - 155 in³

Flow at Rated Pressure:
0.055 - 0.15 in³/stroke

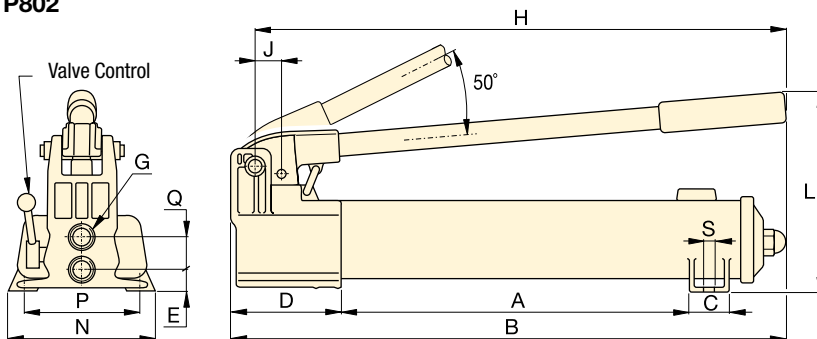
Operating Pressure:
10,000 psi



P141, P142, P202, P391, P392



P802



P842



Hoses

Enerpac offers a complete line of high-quality hydraulic hoses. To ensure the integrity of your system, specify only genuine Enerpac hydraulic hoses.

Page: 136



GA45GC Gauge Adaptor

Protect yourself from system overloading by simply ordering one part number for a pre-assembled gauge, adaptor block and coupler.

Page: 150



Foot Pump P392FP

For handsfree operation the lightweight and robust P392FP Foot Pump is the perfect choice.

Page: 85

Piston Stroke	Dimensions (in)															Model Number
	(in)	A	B	C	D	E	G	H	J	L	M	N	P	Q	S	
0.50	7.31	13.25	1.13	3.37	1.13	1/4"-18 NPTF	12.56	0.75	5.63	-	3.75	3.25	-	0.28	4.5	P141
1.00	13.56	21.00	1.44	3.93	1.31	3/8"-18 NPTF	20.56	1.19	7.00	0.63	4.75	-	-	-	9.0	P391
0.50	7.31	13.25	1.13	3.37	1.13	1/4"-18 NPTF	12.56	0.75	5.63	-	3.75	3.25	-	0.28	5.3	P142 ¹⁾
0.50	13.56	20.06	1.44	3.37	1.13	1/4"-18 NPTF	15.75	0.75	5.69	0.63	3.75	-	-	-	7.5	P202
1.00	13.56	21.00	1.44	3.93	1.31	3/8"-18 NPTF	20.56	1.19	7.00	0.63	-	-	-	-	9.0	P392 ¹⁾
1.00	13.30	21.75	1.78	5.25	1.39	3/8"-18 NPTF	20.75	2.19	9.00	-	7.12	6.02	1.40	0.41	18.0	P802
1.00	13.30	21.75	1.78	5.25	0.81	3/8"-18 NPTF	20.75	2.19	9.00	-	7.12	6.02	1.44	0.41	22.0	P842 ³⁾