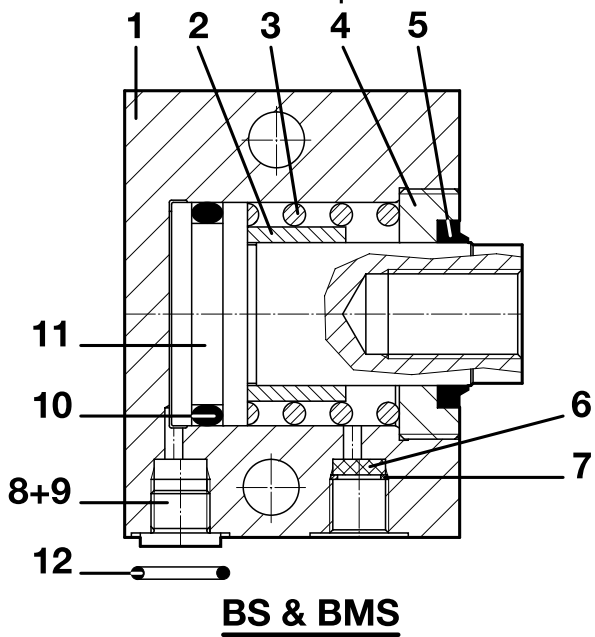


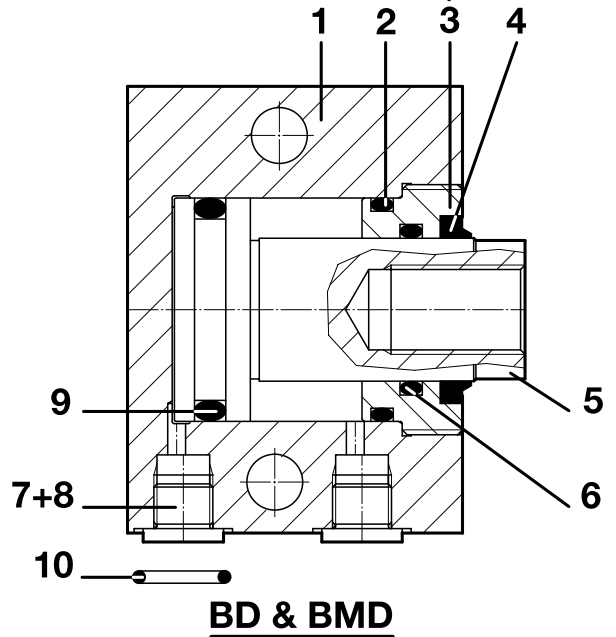
Block Cylinders
BS & BMS-Series 68,2 kN
BD & BMD-Series 68,7 kN

RPS 69.165-1 Rev. A 11/2007

Use LOCTITE 222



Use LOCTITE 222



When ordering spare parts always specify the complete rollstamp number of the cylinder.
Pour toute commande de pièces détachées veuillez bien préciser le numéro complet du verin.
Bei Bestellung Ersatzteile bitte komplette Produktkodierung der Zylinder angeben.
Quando ordinati eventuali parti di ricambio vogliate indicare il numero stampigliate sulla cilindri.
Cuando solicite repuestos especifique siempre el numero completo estampado en el cilindro.

TO PROTECT YOUR WARRANTY, ONLY USE ENERPAC HYDRAULIC OIL.
POUR PRESERVER VOTRE GARANTIE, UTILISER UNIQUEMENT DE L'HUILE ENERPAC.
VERWENDEN SIE NUR ENERPAC HYDRAULIKÖL, DAMIT DIE GEWÄHRLEISTUNG ERHALTEN BLEIBT.
PER RENDERE EFFICACE LA VOSTRA GARANZIA USATE SEMPRE E SOLO OLIO ENERPAC.
PARA PRESERVAR LA GARANTIA, USE SOLO ACEITE HIDRAULICO ENERPAC.

Item No.	BS-70121 BS-70121V version 0	BMS-70121 BMS-70121V version 0	BS-70122 BS-70122V version 0	BMS-70122 BMS-70122V version 0	BS-70251 BS-70251V version 0	BMS-70251 BMS-70251V version 0	BS-70252 BS-70252V version 0	Qty
1	CZ 893.005	CZ 895.005	CZ 892.005	CZ 895.005	CZ 899.005	CZ 901.005	CZ 898.005	1x
2A	CZ 911.039	CZ 911.039	CZ 911.039	CZ 911.039	CZ 912.039	CZ 912.039	CZ 912.039	1x
•3	CZ 909.110	CZ 909.110	CZ 909.110	CZ 909.110	CZ 910.110	CZ 910.110	CZ 910.110	1x
4	PA2710044	PA2710044	PA2710044	PA2710044	PA2710044	PA2710044	PA2710044	1x
*5A	CS 292.041	CS 292.041	CS 292.041	CS 292.041	CS 292.041	CS 292.041	CS 292.041	1x
•5B	CY 550.041	CY 550.041	CY 550.041	CY 550.041	CY 550.041	CY 550.041	CY 550.041	1x
6	F 532.018	--	CY 17.018	--	F 532.018	--	CY 17.018	1x
7	F 533.049	--	CCA1011.044-1C	--	F 533.049	--	CCA1011.044-1C	1x
8	B1023.271	--	CV 853.271	--	B1023.271	--	CV 853.271	1x
9	B1007.503	--	B1219.503	--	B1007.503	--	B1219.503	1x
*10A	B1326.803	B1326.803	B1326.803	B1326.803	B1326.803	B1326.803	B1326.803	1x
•10B	B1326.203	B1326.203	B1326.203	B1326.203	B1326.203	B1326.203	B1326.203	1x
11	CZ 907.040	CZ 907.040	PA2711040	PA2711040	CZ 908.040	CZ 908.040	PA2712040	1x
*12A	--	CZ 392.041	--	CZ 392.041	--	CZ 392.041	--	2x
•12B	--	CZ 398.041	--	CZ 398.041	--	CZ 398.041	--	2x
* •	BD-70252-K BD-70252-KV	BD-70252-K BD-70252-KV	BD-70252-K BD-70252-KV	BD-70252-K BD-70252-KV	BD-70252-K BD-70252-KV	BD-70252-K BD-70252-KV	BD-70252-K BD-70252-KV	

Item No.	BD-70251 BD-70251V version 0	BMD-70251 BMD-70251V version 0	BD-70252 BD-70252V version 0	BMD-70252 BMD-70252V version 0	BD-70501 BD-70501V version 0	BMD-70501 BMD-70501V version 0	BD-70502 BD-70502V version 0	Qty
1	CZ 893.005	CZ 895.005	CZ 892.005	CZ 895.005	CZ 899.005	CZ 901.005	CZ 898.005	1x
*2A	B1223.903	B1223.903	B1223.903	B1223.903	B1223.903	B1223.903	B1223.903	1x
•2B	B1223.203	B1223.203	B1223.203	B1223.203	B1223.203	B1223.203	B1223.203	1x
3	CZ 904.044	CZ 904.044	CZ 904.044	CZ 904.044	CZ 904.044	CZ 904.044	CZ 904.044	1x
*4A	CS 292.041	CS 292.041	CS 292.041	CS 292.041	CS 292.041	CS 292.041	CS 292.041	1x
•4B	CY 550.041	CY 550.041	CY 550.041	CY 550.041	CY 550.041	CY 550.041	CY 550.041	1x
5	CZ 907.040	CZ 907.040	CZ 905.040	CZ 905.040	CZ 908.040	CZ 908.040	CZ 906.040	1x
*6A	B1218.803	B1218.803	B1218.803	B1218.803	B1218.803	B1218.803	B1218.803	1x
•6B	B1218.203	B1218.203	B1218.203	B1218.203	B1218.203	B1218.203	B1218.203	1x
7	B1023.271	--	CV 853.271	--	B1023.271	--	CV 853.271	2x
8	B1007.503	--	B1219.503	--	B1007.503	--	B1219.503	2x
*9A	B1326.803	B1326.803	B1326.803	B1326.803	B1326.803	B1326.803	B1326.803	1x
•9B	B1326.203	B1326.203	B1326.203	B1326.203	B1326.203	B1326.203	B1326.203	1x
*10A	--	CZ 392.041	--	CZ 392.041	--	CZ 392.041	--	2x
•10B	--	CZ 398.041	--	CZ 398.041	--	CZ 398.041	--	2x
* •	BD-70252-K BD-70252-KV	BD-70252-K BD-70252-KV	BD-70252-K BD-70252-KV	BD-70252-K BD-70252-KV	BD-70252-K BD-70252-KV	BD-70252-K BD-70252-KV	BD-70252-K BD-70252-KV	

Item No.	BMS-70252 BMS-70252V version 0	Qty	Description	Désignation	Bezeichnung	Descrizione	Descripción
1	CZ 901.005	1x	Base	Corps	Gehäuse	Corpo	Cuerpo
2A	CZ 912.039	1x	Stopring Int.	Bague-guide	Innen Stoßring	Ghiera interna	Anillo reten interno
•3	CZ 910.110	1x	Spring	Ressort	Feder	Molla	Muelle
4	PA2710044	1x	Stopring	Bague	Stoßring	Ghiera finecorsa	Anillo reten
*5A	CS 292.041	1x	Wiper	Joint racleur	Abstreifring	Raschiatore	Rascador
•5B	CY 550.041	1x	Wiper (Viton)	Joint racleur (Viton)	Abstreifring (Viton)	Raschiatore (Viton)	Rascador (Viton)
6	--	1x	Filter disc	Filtre	Filter	Filtro	Filtro
7	--	1x	Retaining ring	Circlips	Sicherungsring	Anello di ritegno	Junta tórica
8	--	1x	Plug	Bouchon	Stopfen	Tappo	Enchufe
9	--	1x	O-ring	O-ring	O-Ring	O-ring	Junta en O
*10A	B1326.803	1x	O-ring	O-ring	O-Ring	O-ring	Junta en O
•10B	B1326.203	1x	O-ring (Viton)	O-ring (Viton)	O-Ring (Viton)	O-ring (Viton)	Junta en O (Viton)
11	PA2712040	1x	Plunger	Piston	Kolben	Pistone	Embolo
*12A	CZ 392.041	2x	Manifold O-ring	O-ring Bloc foré	O-Ring Anschluß	O-ring Manifold	Junta en O Colector
•12B	CZ 398.041	2x	Manif. O-ring (Viton)	O-ring (Viton) Bloc foré	O-Ring Anschluß (Viton)	O-ring Manif. (Viton)	Junta en O (Viton) Col.
*	BD-18202-K		* Repair Kit	* Pochette de réparation	* Ersatzteilpaket	* La serie di ricambi	* Juego de reparación
•	BD-18202-KV		• Viton Kit	• Pochette de réparation Viton	• Viton Ersatzteilpaket	• La serie di ricambi Viton	• Juego de reparación Viton
			Contains parts marked with * or •	Contient les pièces marquées * ou •	Enthält Teile bezeichnet mit * oder •	Contiene tutte le voci contraddistinte dall' * o •	Contiene las partes marcadas con * o •

Item No.	BMD-70502 BMD-70502V version 0	Qty	Description	Désignation	Bezeichnung	Descrizione	Descripción
1	CZ 901.005	1x	Base	Corps	Gehäuse	Corpo	Cuerpo
*2A	B1223.903	1x	O-ring	O-ring	O-Ring	O-ring	Junta en O
•2B	B1223.203	1x	O-ring (Viton)	O-ring (Viton)	O-Ring (Viton)	O-ring (Viton)	Junta en O (Viton)
3	CZ 904.044	1x	Stopring	Bague	Stoßring	Ghiera finecorsa	Anillo reten
*4A	CS 292.041	1x	Wiper	Joint racleur	Abstreifring	Raschiatore	Rascador
•4B	CY 550.041	1x	Wiper (Viton)	Joint racleur (Viton)	Abstreifring (Viton)	Raschiatore (Viton)	Rascador (Viton)
5	CZ 906.040	1x	Plunger	Piston	Kolben	Pistone	Embolo
*6A	B1218.803	1x	O-ring	O-ring	O-Ring	O-ring	Junta en O
•6B	B1218.203	1x	O-ring (Viton)	O-ring (Viton)	O-Ring (Viton)	O-ring (Viton)	Junta en O (Viton)
7	--	2x	Plug	Bouchon	Stopfen	Tappo	Enchufe
8	--	2x	O-ring	O-ring	O-Ring	O-ring	Junta en O
*9A	B1326.803	1x	O-ring	O-ring	O-Ring	O-ring	Junta en O
•9B	B1326.203	1x	O-ring (Viton)	O-ring (Viton)	O-Ring (Viton)	O-ring (Viton)	Junta en O (Viton)
*10A	CZ 392.041	2x	Manifold O-ring	O-ring Bloc foré	O-Ring Anschluß	O-ring Manifold	Junta en O Colector
•10B	CZ 398.041	2x	Manif. O-ring (Viton)	O-ring (Viton) Bloc foré	O-Ring Anschluß (Viton)	O-ring Manif. (Viton)	Junta en O (Viton) Col.
*	BD-70252-K		* Repair Kit	* Pochette de réparation	* Ersatzteilpaket	* La serie di ricambi	* Juego de reparación
•	BD-70252-KV		• Viton Kit	• Pochette de réparation Viton	• Viton Ersatzteilpaket	• La serie di ricambi Viton	• Juego de reparación Viton
			Contains parts marked with * or •	Contient les pièces marquées * ou •	Enthält Teile bezeichnet mit * oder •	Contiene tutte le voci contraddistinte dall' * o •	Contiene las partes marcadas con * o •

Africa
ENERPAC Middle East FZE
Office 423, JAFZA 15
Jebel Ali Free Zone
P.O. Box 18004
Jebel Ali, Dubai
United Arab Emirates
Tel: +971 (0)4 8872686
Fax: +971 (0)4 8872687

Australia
Actuant Australia Ltd.
Block V Unit 3
Regents Park Estate
391 Park Road
Regents Park NSW 2143
(P.O. Box 261) Australia
Tel: +61 297 438 988
Fax: +61 297 438 648

Brazil
Power Packer do Brasil Ltda.
Rua dos Inocentes, 587
04764-050 - Sao Paulo (SP)
Tel: +55 11 5687 2211
Fax: +55 11 5686 5583
Toll Free in Brazil:
Tel: 0800 891 5770
vendasbrasil@enerpac.com

Canada
Actuant Canada Corporation
6615 Ordan Drive, Unit 14-15
Mississauga,
Ontario L5T 1X2
Tel: +1 905 564 5749
Fax: +1 905 564 0305
Toll Free:
Tel: +1 800 268 4987
Fax: +1 800 461 2456
Technical Inquiries:
techservices@enerpac.com

China
Actuant China Ltd.
1F, 269 Fute N. Road
Waigaoqiao Free Trade Zone
Pudong New District
Shanghai, 200 131 China
Tel: +86 21 5866 9099
Fax: +86 21 5866 7156

Actuant China Ltd. (Beijing)
709B Diyang Building
Xin No. 2
Dong San Huan North Rd.
Beijing City
100028 China
Tel: +86 10 845 36166
Fax: +86 10 845 36220

Central and Eastern Europe, Greece
ENERPAC GmbH
P.O. Box 300113
D-40401 Düsseldorf
Willstätterstrasse 13
D-40459 Düsseldorf, Germany
Tel: +49 211 471 490
Fax: +49 211 471 49 28

France, Switzerland francophone
ENERPAC
Une division de ACTUANT
France S.A.
ZA de Courtaboeuf
32, avenue de la Baltique
91140 VILLEBON /YVETTE
France
Tel: +33 1 60 13 68 68
Fax: +33 1 69 20 37 50

Germany, Austria and Switzerland
ENERPAC GmbH
P.O. Box 300113
D-40401 Düsseldorf
Willstätterstrasse 13
D-40459 Düsseldorf
Germany
Tel: +49 211 471 490
Fax: +49 211 471 49 28

India
ENERPAC Hydraulics
(India) Pvt. Ltd.
Office No. 9,10 & 11,
Plot No. 56, Monarch Plaza,
Sector 11, C.B.D. Belapur
Navi Mumbai 400614, India
Tel: +91 22 2756 6090
Tel: +91 22 2756 6091
Fax: +91 22 2756 6095

Italy
ENERPAC S.p.A.
Via Canova 4
20094 Corsico (Milano)
Tel: +39 02 4861 111
Fax: +39 02 4860 1288

Japan
Applied Power Japan LTD KK
Besshochou 85-7
Kita-ku,
Saitama-shi 331-0821
Japan
Tel: +81 48 662 4911
Fax: +81 48 662 4955

Middle East, Turkey and Caspian Sea
ENERPAC Middle East FZE
Office 423, JAFZA 15
Jebel Ali Free Zone
P.O. Box 18004,
Jebel Ali, Dubai
United Arab Emirates
Tel: +971 (0)4 8872686
Fax: +971 (0)4 8872687

**Russia and CIS
(excl. Caspian Sea Countries)**
Actuant LLC
Admiral Makarov Street 8
125212 Moscow,
Russia
Tel: +7-495-9809091
Fax: +7-495-9809092

Singapore
Actuant Asia Pte. Ltd.
37C, Benoi Road Pioneer Lot,
Singapore 627795
Thomson Road, P.O. Box 114
Singapore 915704
Tel: +65 64 84 5108
+65 64 84 3737
Fax: +65 64 84 5669
Toll Free:
Tel: +1800 363 7722
Technical Inquiries:
techsupport@enerpac.com.sg

South Korea
Actuant Korea Ltd.
3Ba 717,
Shihwa Industrial Complex
Jungwang-Dong, Shihung-Shi,
Kyunggi-Do,
Republic of Korea 429-450
Tel: +82 31 434 4506
Fax: +82 31 434 4507

Spain and Portugal
ENERPAC
C/San José Artesano 8
Pol. Ind.
28108 Alcobendas
(Madrid) Spain
Tel: +34 91 661 11 25
Fax: +34 91 661 47 89

**The Netherlands, Belgium,
Luxembourg, Sweden, Denmark,
Norway, Finland and Baltic States**
ENERPAC B.V.
Galvanistraat 115
6716 AE Ede
P.O. Box 8097
6710 AB Ede
The Netherlands
Tel: +31 318 535 911
Fax: +31 318 525 613
+31 318 535 848

Technical Inquiries Europe:
techsupport.europe@enerpac.com

United Kingdom and Ireland
ENERPAC Ltd.,
Bentley Road South
Darlaston, West Midlands
WS10 8LQ, England
Tel: +44 (0)121 50 50 787
Fax: +44 (0)121 50 50 799

**USA, Latin America
and Caribbean**
ENERPAC
P.O. Box 3241
6100 N. Baker Road
Milwaukee, WI 53209 USA
Tel: +1 262 781 6600
Fax: +1 262 783 9562
User inquiries:
+1 800 433 2766
Distributor inquiries/orders:
+1 800 558 0530
Technical Inquiries:
techservices@enerpac.com

ENERPAC 