

▼ RLT-Series, Low-Height Telescopic Cylinders



For longer cylinder strokes in confined spaces



RLT-Series, Low-Height Telescopic Cylinders

Enerpac compact, low-height telescopic cylinders are available with two or three pistons, and can lift loads up to 1.57 inches in a single movement.

Nitrocarburization surface treatment for improved wear resistance and corrosion protection for increased safety and longer service life in harsh conditions.

The longer stroke length of telescopic cylinders will save you time and simplify projects by moving a load a greater distance and eliminating the use of temporary cribbing.

- Single-acting, load-return
- Nitrocarburized surface treatment inside and out provides corrosion protection
- For use in confined spaces: machinery positioning, tool fastening
- Mounting bolt holes for easy fixing
- Up to 3% side load of maximum capacity
- Design safety factor complies with ASME B30.1 & EN1494
- CR400 coupler for compatibility with standard product
- High-Alloy steel for maximum strength.



Multi-Stage Cylinders

1st Stage: maximum load capacity at lower stroke.

2nd Stage: extended stroke with lower capacity than the 1st stage.

Final Stage: maximum stroke extension with lowest capacity.



Cylinder Capacity at Maximum Stroke tons	Maximum Stroke (in)	Model Number	Collapsed Height	Extended Height	Oil Capacity (in ³)
			A (in)	B (in)	
4.8	0.67	RLT40	1.77	2.44	1.29
4.8	0.91	RLT41	2.13	3.03	3.09
12.5	0.71	RLT110	2.15	2.85	2.90
12.5	1.57	RLT111	3.50	5.08	14.71
26.1	1.06	RLT230	2.95	4.02	9.15
26.1	1.26	RLT231	3.78	5.04	18.50
34.8	1.14	RLT311	3.50	4.65	13.64
55.8	1.02	RLT501	3.78	4.80	17.29
81.7	1.02	RLT741	4.49	5.51	25.97

Low-Height Telescopic Cylinders, Single-Acting



Assisted-return Pumps with Venturi Valve Technology

ZU4 and ZE-Series pumps feature Venturi

Valve Technology to accelerate single-acting gravity and spring-return cylinder retraction speeds. See valve type in ordering matrix and details in section Directional Control Valves. See enerpac.com for details.

Page: 129



4-way Manifold assembly complete with gauges

Offering ease of portability and convenience with an ergonomic robust design, ready for use. Enerpac's CR400 female couplers on all ports allow the manifold to be quickly connected to up to 4 cylinders. Glycerine filled, 10,000 psi gauges allow operators to work safely. All protected by the robust protection frame.

Manifold Type (Used for cylinders)	Model Number
4x Single-acting	AMGC41
4x Double-acting	AMGC42

RLT Series



Capacity:
4.8 - 81.7 tons

Stroke:
0.67 - 1.57 inches

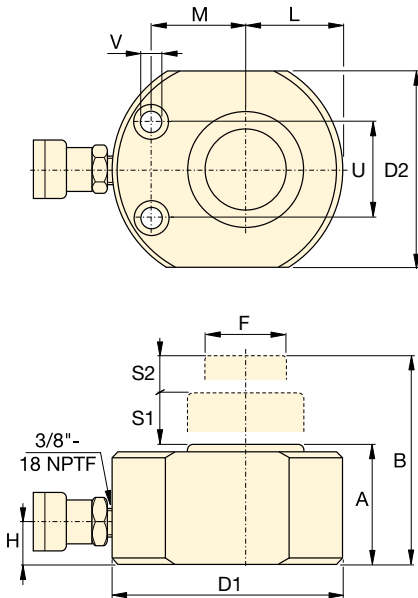
Maximum Operating Pressure:
10,150 psi



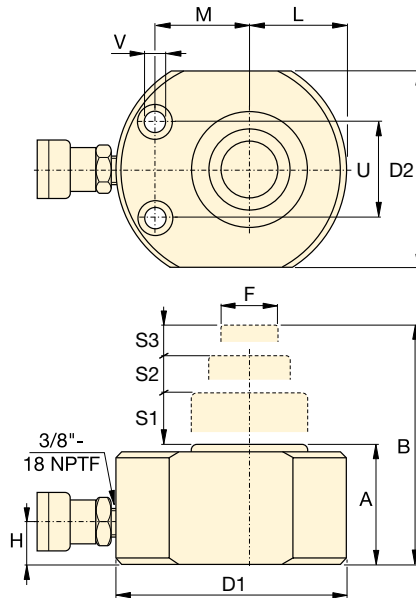
WARNING:

If several telescopic cylinders need to be controlled simultaneously Enerpac recommend the use of EVO-Series

Synchronous Lifting Pumps. Enerpac advises not to use SFP-Series Split-Flow pumps to operate several telescopic cylinders at the same time due to the volume difference on the different stages.



RLT40, 110, 230, 311, 501, 741



RLT41, 111, 231

RLT-Cylinders Mounting Hole Dimensions (in)

Model Number	Bolt Distance	Hole Diameter	Counter Bore Diameter	Counter Bore Depth
	U	V		
RLT40	1.46	0.26	0.43	0.28
RLT41	1.97	0.35	0.55	0.35
RLT110	1.97	0.35	0.55	0.35
RLT111	2.99	0.51	0.79	0.51
RLT230	2.64	0.51	0.79	0.51
RLT231	2.99	0.26	0.43	0.28
RLT311	2.99	0.51	0.79	0.51
RLT501	2.99	0.26	0.43	0.28
RLT741	4.61	0.35	0.55	0.35

1st Stage		2nd Stage		3rd Stage		Outside Diameter D1 x D2 (in)	Plunger Diameter F (in)	Bottom to Advance Port H (in)	Plunger to Base L (in)	Plunger to Mounting Hole M (in)	Model Number
Capacity tons	Stroke S1 (in)	Capacity tons	Stroke S2 (in)	Capacity tons	Stroke S3 (in)						
12.5	0.43	4.8	0.24	–	–	3.27 x 2.20	0.98	0.79	1.14	1.30	4.0 RLT40
26.1	0.43	12.5	0.28	4.8	0.20	4.02 x 3.15	0.98	0.79	1.61	1.54	6.8 RLT41
26.1	0.43	12.5	0.28	–	–	4.02 x 3.15	1.50	0.79	1.61	1.54	6.6 RLT110
81.7	0.63	34.8	0.51	12.5	0.43	6.50 x 5.51	1.50	0.98	2.78	2.60	28.9 RLT111
55.8	0.63	26.1	0.43	–	–	5.51 x 4.49	2.24	0.79	2.28	2.20	16.8 RLT230
104.4	0.63	55.8	0.39	26.1	0.24	7.01 x 6.38	2.24	1.14	3.50	2.76	38.1 RLT231
81.7	0.63	34.8	0.51	–	–	6.50 x 5.51	2.36	0.98	2.78	2.60	28.7 RLT311
104.4	0.63	55.8	0.39	–	–	7.01 x 6.38	3.07	1.14	3.50	2.76	38.1 RLT501
158.2	0.63	81.7	0.39	–	–	8.50 x 7.72	3.74	1.38	4.25	3.07	67.0 RLT741