

GEMÜ 620

Pneumatically operated diaphragm valve



Features

- Suitable for particulate and abrasive media
- Various lining materials are available, such as PFA, PP or hard rubber
- Standard optical position indicator
- Wide range of adaptation options for add-on components and accessories

Description

The GEMÜ 620 2/2-way diaphragm valve has a low maintenance metal membrane actuator and is pneumatically operated.

Technical specifications

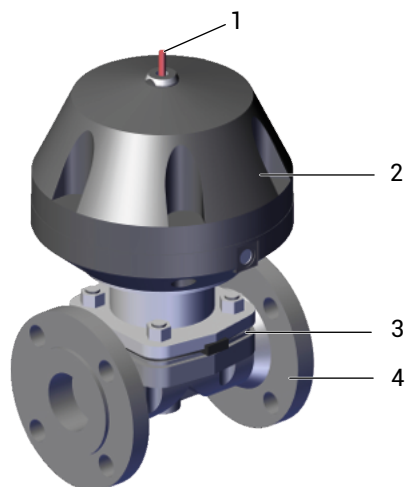
- Media temperature: 0 to 100 °C
- Ambient temperature*: 0 to 60 °C
- Operating pressure*: 0 to 10 bar
- Nominal sizes*: DN 15 to 150
- Body configurations: 2/2-way body
- Connection types: Flange | Threaded connection
- Connection standards: ANSI | BS | EN | ISO
- Body materials: EN-GJL-250, cast iron material | EN-GJS-400-18-LT, SG iron material | EN-GJS-500-7, ductile iron material
- Body lining: Hard rubber | PFA | PP
- Diaphragm materials: CR | EPDM | FKM | NBR | PTFE/EPDM
- Conformities*: EAC | FDA | TA Luft (German Clean Air Act)

* depending on version and/or operating parameters



Product description

Construction



Item	Name	Materials
1	Optical position indicator	5.1301 (GG 25)
2	Actuator	Cast iron, PP reinforced
3	Diaphragm	CR EPDM FKM NBR PTFE / EPDM (one-piece) PTFE / EPDM (two-piece)
4	Valve body	EN-GJL-250 (GG 25) EN-GJS-400-18-LT (GGG 40.3), PFA lined EN-GJS-400-18-LT (GGG 40.3), PP lined EN-GJS-400-18-LT (GGG 40.3), hard rubber lined EN-GJS-500-7 (GGG 50), PFA lined EN-GJS-500-7 (GGG 50), PP lined

Availability

Availability of valve bodies

Threaded connection, flange

MG	DN	Threaded connection	Flange																		
			Connection types code ¹⁾																		
			1	8			38			39			51		53		56				
			Material code ²⁾																		
	8	8	17	18	83	17	18	83	8	17	18	83	17	81	91	8	17	17	81	91	
25	15	X	X	X	X	X	-	-	-	X	X	X	X	-	-	-	X	-	-	-	-
	20	X	X	X	X	X	X	X ³⁾	X	X	X	X	X	-	-	-	X	-	-	-	-
	25	X	X	X	X	X	X	X ³⁾	X	X	X	X	X	-	X	X ⁴⁾	X	-	-	X	X ⁵⁾
40	32	X	X	X	X	X	-	-	-	X	X	X	X	-	-	-	-	-	-	-	-
	40	X	X	X	X	X	X	X ³⁾	X	X	X	X	X	-	X	X ⁴⁾	X	-	-	X	X ⁵⁾
50	50	X	X	X	X	X	X	X ³⁾	X	X	X	X	X	-	X	X ⁴⁾	X	-	-	X	X ⁵⁾
65	65	-	X	X	X	X	X	X ³⁾	X	X	X	X	X	-	-	-	X	-	-	-	-
80	80	-	X	X	X	X	X	X ³⁾	X	X	X	X	X	-	X	X ⁴⁾	X	-	-	X	X ⁵⁾
100	100	-	X	X	X	X	X	X ³⁾	X	-	X	X	X	-	X	X ⁴⁾	X	-	-	X	X ⁵⁾
125	125	-	X	X	-	X	-	-	-	X	X	-	X	-	-	-	X	-	-	-	-
150	150	-	X	X	-	X	X	-	X	X	X	-	X	X	-	-	X	X	X	-	-

MG = diaphragm size

X = Standard

1) Connection type

Code 1: Threaded socket DIN ISO 228

Code 8: Flange EN 1092, PN 16, form B, face-to-face dimension FTF EN 558 series 1, ISO 5752, basic series 1, length only for body configuration D

Code 38: Flange ANSI Class 150 RF, face-to-face dimension FTF MSS SP-88, length only for body configuration D

Code 39: Flange ANSI Class 125/150 RF, face-to-face dimension FTF EN 558 series 1, ISO 5752, basic series 1, length only for body configuration D

Code 51: Flange BS 10 Table "E", face-to-face dimension FTF EN 558 series 7, ISO 5752, basic series 7, length only for body configuration D

Code 53: Flange EN 1092, PN 16, form A, face-to-face dimension FTF EN 558 series 7, ISO 5752, basic series 7, length only for body configuration D

Code 56: Flange ANSI Class 125/150 RF, face-to-face dimension FTF EN 558 series 7, ISO 5752, basic series 7, length only for body configuration D

2) Valve body material

Code 8: EN-GJL-250 (GG 25)

Code 17: EN-GJS-400-18-LT (GGG 40.3), PFA lined

Code 18: EN-GJS-400-18-LT (GGG 40.3), PP lined

Code 81: EN-GJS-500-7 (GGG 50), PFA lined

Code 83: EN-GJS-400-18-LT (GGG 40.3), hard rubber lined

Code 91: EN-GJS-500-7 (GGG 50), PP lined

3) Connection code 38 / material code 18 on request

4) Connection code 51 / material code 91 on request

5) Connection code 56 / material code 91 on request

Actuator version

MG	DN	Actuator version
25	15 - 25	0/D, 0/F, 0/N
40	32 - 40	1/D, 1/F, 1/N
50	50	2/D, 2/F, 2/N
65	65	3/1, 3/2, 3/3, 3/D, 3/F, 3A1, 3A2, 3A3, 3AD, 3AF
80	80	3/2, 3/3, 3/D, 3/F, 3A2, 3A3, 3AD, 3AF, 4A2
100	100	3/3, 3/D, 3/F, 3A3, 3AD, 3AF, 4A3, 4AD, 4AF
125	125	4A2, 4A3, 4AD, 4AF
150	150	4A3, 4AD, 4AF

Availability of product compliance

	Diaphragm material code ¹⁾	Body material code ²⁾
Food		
FDA	54, 5M	17, 81
TA Luft (German Clean Air Act)		
TA Luft (German Clean Air Act)		17, 18, 81, 91

1) **Diaphragm material**

Code 54: PTFE/EPDM one-piece
Code 5M: PTFE/EPDM two-piece

2) **Valve body material**

Code 17: EN-GJS-400-18-LT (GGG 40.3), PFA lined
Code 18: EN-GJS-400-18-LT (GGG 40.3), PP lined
Code 81: EN-GJS-500-7 (GGG 50), PFA lined
Code 91: EN-GJS-500-7 (GGG 50), PP lined

Order data

The order data provide an overview of standard configurations.

Please check the availability before ordering. Other configurations available on request.

Order codes

1 Type	Code
Diaphragm valve, pneumatically operated, membrane actuator, cast iron distance piece	620

2 DN	Code
DN 15	15
DN 20	20
DN 25	25
DN 32	32
DN 40	40
DN 50	50
DN 65	65
DN 80	80
DN 100	100
DN 125	125
DN 150	150

3 Body configuration	Code
2/2-way body	D

4 Connection type	Code
Threaded connection	
Threaded socket DIN ISO 228	1
Flange	
Flange EN 1092, PN 16, form B, face-to-face dimension FTF EN 558 series 1, ISO 5752, basic series 1, length only for body configuration D	8
Flange ANSI Class 150 RF, face-to-face dimension FTF MSS SP-88, length only for body configuration D	38
Flange ANSI Class 125/150 RF, face-to-face dimension FTF EN 558 series 1, ISO 5752, basic series 1, length only for body configuration D	39
Flange BS 10 Table "E", face-to-face dimension FTF EN 558 series 7, ISO 5752, basic series 7, length only for body configuration D	51
Flange EN 1092, PN 16, form A, face-to-face dimension FTF EN 558 series 7, ISO 5752, basic series 7, length only for body configuration D	53
Flange ANSI Class 125/150 RF, face-to-face dimension FTF EN 558 series 7, ISO 5752, basic series 7, length only for body configuration D	56

5 Valve body material	Code
EN-GJL-250 (GG 25)	8
EN-GJS-400-18-LT (GGG 40.3), PFA lined	17
EN-GJS-400-18-LT (GGG 40.3), PP lined	18
EN-GJS-500-7 (GGG 50), PFA lined	81
EN-GJS-400-18-LT (GGG 40.3), hard rubber lined	83
EN-GJS-500-7 (GGG 50), PP lined	91

6 Diaphragm material	Code
NBR	2
FPM	4
CR	8
EPDM	14
PTFE/EPDM one-piece	54
PTFE/EPDM two-piece	5M

7 Control function	Code
Normally Closed (NC)	1
Normally Open (NO)	2
Double Acting (DA)	3

8 Actuator version	Code
DN 15 - 25, diaphragm size 25	
Plastic actuator material	
Actuator size 0/D	0/D
Actuator size 0/F	0/F
Actuator size 0/N	0/N
DN 32 - 40, diaphragm size 40	
Plastic actuator material	
Actuator size 1/D	1/D
Actuator size 1/F	1/F
Actuator size 1/N	1/N
DN 50, diaphragm size 50	
Plastic actuator material	
Actuator size 2/D	2/D
Actuator size 2/F	2/F
Actuator size 2/N	2/N
DN 65, diaphragm size 65	
Plastic actuator material	
Actuator size 3/1	3/1
Actuator size 3/2	3/2
Actuator size 3/3	3/3
Actuator size 3/D	3/D
Actuator size 3/F	3/F

Order data

8 Continuation of Actuator version	Code
Metal actuator material	
Actuator size 3A1	3A1
Actuator size 3A2	3A2
Actuator size 3A3	3A3
Actuator size 3AD	3AD
Actuator size 3AF	3AF
DN 80, diaphragm size 80	
Plastic actuator material	
Actuator size 3/2	3/2
Actuator size 3/3	3/3
Actuator size 3/D	3/D
Actuator size 3/F	3/F
Metal actuator material	
Actuator size 3A2	3A2
Actuator size 3A3	3A3
Actuator size 3AD	3AD
Actuator size 3AF	3AF
Actuator size 4A2	4A2
DN 100, diaphragm size 100	
Plastic actuator material	
Actuator size 3/3	3/3

8 Continuation of Actuator version	Code
Actuator size 3/D	3/D
Actuator size 3/F	3/F
Metal actuator material	
Actuator size 3A3	3A3
Actuator size 3AD	3AD
Actuator size 3AF	3AF
Actuator size 4A3	4A3
Actuator size 4AD	4AD
Actuator size 4AF	4AF
DN 125, diaphragm size 125	
Metal actuator material	
Actuator size 4A2	4A2
Actuator size 4A3	4A3
Actuator size 4AD	4AD
Actuator size 4AF	4AF
DN 150, diaphragm size 150	
Metal actuator material	
Actuator size 4A3	4A3
Actuator size 4AD	4AD
Actuator size 4AF	4AF

Order example

Order option	Code	Description
1 Type	620	Diaphragm valve, pneumatically operated, membrane actuator, cast iron distance piece
2 DN	80	DN 80
3 Body configuration	D	2/2-way body
4 Connection type	8	Flange EN 1092, PN 16, form B, face-to-face dimension FTF EN 558 series 1, ISO 5752, basic series 1, length only for body configuration D
5 Valve body material	8	EN-GJL-250 (GG 25)
6 Diaphragm material	14	EPDM
7 Control function	1	Normally Closed (NC)
8 Actuator version	3/3	Actuator size 3/3

Technical data

Medium

Working medium: Corrosive, inert, gaseous and liquid media which have no negative impact on the physical and chemical properties of the body and diaphragm material.

Control medium: Inert gases

Temperature

Media temperature:	NBR (code 2)	-10 to 100 °C
	FPM (code 4)	-10 to 90 °C
	CR (code 8)	-10 to 100 °C
	EPDM (code 14)	-10 to 90 °C
	PTFE / EPDM (code 54)	-10 to 100 °C
	PTFE / EPDM (code 5M)	-10 to 100 °C

Control medium temperature: 0 to 40 °C

Ambient temperature: 0 to 60 °C

Storage temperature: 0 to 40 °C

Pressure

Operating pressure:

MG	DN	Control function	Actuator size	EPDM	PTFE
25	15 to 25	1	0/N	0 - 10	0 - 6
		2	0/F	0 - 10	0 - 6
		3	0/D	0 - 10	0 - 6
40	32 to 40	1	1/N	0 - 10	0 - 6
		2	1/F	0 - 10	0 - 6
		3	1/D	0 - 10	0 - 6
50	50	1	2/N	0 - 10	0 - 6
		2	2/F	0 - 10	0 - 6
		3	2/D	0 - 10	0 - 6
65	65	1	3/1	0 - 3	0 - 2
			3A1	0 - 3	0 - 2
			3/2	0 - 6	0 - 4
			3A2	0 - 6	0 - 4
			3/3	0 - 10	0 - 6
			3A3	0 - 10	0 - 6
		2	3/F, 3AF	0 - 10	0 - 6
		3	3/D, 3AD	0 - 10	0 - 6
80	80	1	3/2	0 - 3	0 - 2
			3A2	0 - 3	0 - 2
			3/3	0 - 7	0 - 5
			3A3	0 - 7	0 - 5
			4A2	0 - 10	0 - 6
		2	3/F, 3AF	0 - 10	0 - 6
		3	3/D, 3AD	0 - 10	0 - 6
100	100	1	3/3	0 - 6	0 - 4
			3A3	0 - 6	0 - 4
			4A3	0 - 10	0 - 6
		2	3/F	0 - 6	0 - 4
			3AF	0 - 6	0 - 4
			4AF	0 - 10	0 - 6
		3	3/D	0 - 6	0 - 4
			3AD	0 - 6	0 - 4
4AD	0 - 10		0 - 6		
125	125	1	4A2	0 - 5	0 - 3
			4A3	0 - 8	0 - 5
		2	4AF	0 - 10	0 - 6
		3	4AD	0 - 10	0 - 6
150	150	1	4A3	0 - 6	0 - 4
		2	4AF	0 - 8	0 - 5
		3	4AD	0 - 8	0 - 5

MG = diaphragm size

All pressures are gauge pressures. Operating pressure values were determined with static operating pressure applied on one side of a closed valve. Sealing at the valve seat and atmospheric sealing is ensured for the given values.

Information on operating pressures applied on both sides and for high purity media on request.

Pressure rating:

PN 16

Leakage rate:

Leakage rate A (acc. to EN 12266-1)

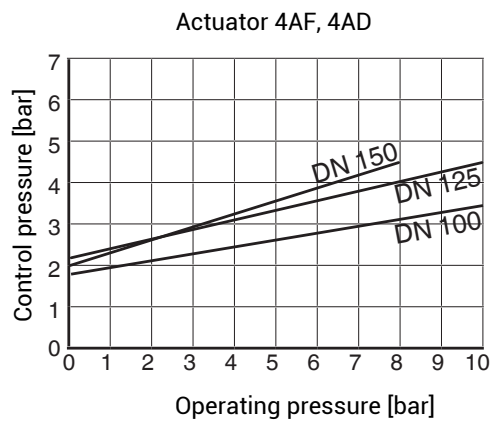
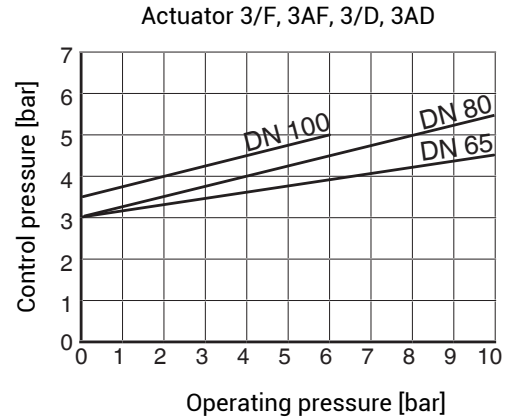
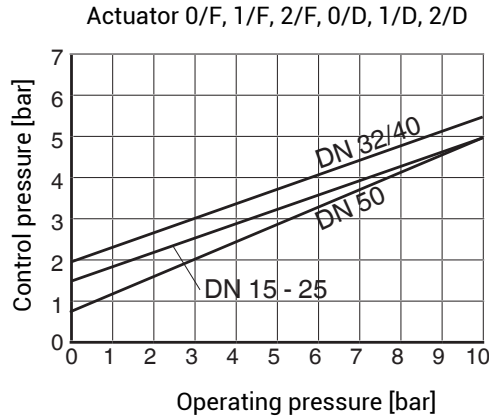
Control pressure:

MG	DN	Control function	Actuator size	Control pressure
25	15 to 25	1	0/N	5.5 - 7.0
		2	0/F	max. 5.5
		3	0/D	max. 5.5
40	32 to 40	1	1/N	5.5 - 7.0
		2	1/F	max. 5.5
		3	1/D	max. 5.5
50	50	1	2/N	5.5 - 7.0
		2	2/F	max. 5.0
		3	2/D	max. 5.0
65	65	1	3/1	2.6 - 7.0
			3A1	3.0 - 7.0
			3/2	4.5 - 7.0
			3A2	4.5 - 7.0
			3/3	5.5 - 7.0
		3A3	6.0 - 7.0	
		2	3/F, 3AF	max. 4.5
3	3/D, 3AD	max. 4.0		
80	80	1	3/2	4.5 - 7.0
			3A2	5.0 - 7.0
			3/3	5.6 - 7.0
			3A3	6.5 - 7.0
			4A2	3.5 - 7.0
		2	3/F, 3AF	max. 5.5
3	3/D, 3AD	max. 5.0		
100	100	1	3/3	6.2 - 7.0
			3A3	6.5 - 7.0
			4A3	4.5 - 7.0
		2	3/F	max. 5.0
			3AF	max. 5.0
			4AF	max. 3.5
		3	3/D	max. 4.5
			3AD	max. 4.5
			4AD	max. 3.0
125	125	1	4A2	4.0 - 7.0
			4A3	5.5 - 7.0
		2	4AF	max. 4.5
		3	4AD	max. 4.0
150	150	1	4A3	5.5 - 7.0
		2	4AF	max. 4.5
		3	4AD	max. 4.0

MG = diaphragm size

Control pressure:

Control pressure - operating pressure - diagram



Note: The above diagrams give the minimum control pressure for "normally open" actuators (control function 2) for different operating pressures.

Filling volume:

Actuator size 1	0.15 dm ³
Actuator size 2	0.35 dm ³
Actuator size 3	1.10 dm ³
Actuator size 4	2.5 dm ³
Actuator size 5	6.8 dm ³

Kv values:

MG	DN	GG 25	PFA / PP	Hard rubber
25	15	7.0	5.0	6.0
	20	14.0	9.0	11.0
	25	20.0	13.0	15.0
40	32	36.0	23.0	29.0
	40	40.0	26.0	32.0
50	50	80.0	47.0	64.0
65	65	100.0	72.0	80.0
80	80	160.0	110.0	128.0
100	100	238.0	177.0	190.0
125	125	270.0	214.0	230.0
150	150	480.0	365.0	397.0

MG = diaphragm size, Kv values in m³/h

Kv values determined in accordance with EN 60534, inlet pressure 5 bar, Δp 1 bar, with connection flange EN 1092 length EN 558 series 1 and soft elastomer diaphragm. The Kv values for other product configurations (e.g. other diaphragm or body materials) may differ. In general, all diaphragms are subject to the influences of pressure, temperature, the process and their tightening torques. Therefore the Kv values may exceed the tolerance limits of the standard.

The Kv value curve (Kv value dependent on valve stroke) can vary depending on the diaphragm material and duration of use.

Product compliance

Pressure Equipment Directive: 2014/68/EU

Machinery Directive: 2006/42/EU

Food: FDA*
Regulation (EC) No. 1935/2004*
Regulation (EC) No. 10/2011*

EAC: TR CU 010/2011

TA Luft (German Clean Air Act): The product complies with the equivalence requirements of section 5.2.6.4 of the German Clean Air Act (TA Luft / VDI 2440 according to section 3.3.1.3)*

The product complies with the requirements according to VDI 2440 (November 2000), VDI 3479, DIN EN ISO 158481, certificate no. 18 11 090235 002*

* see availability

Mechanical data

Weight:

Actuator

MG	Actuator size	Control function	Weight
25	0/N	1	2.1
	0/F - 0/D	2 + 3	1.6
40	1/N	1	4.2
	1/F - 1/D	2 + 3	3.2
50	2/N	1	7.0
	2/F - 2/D	2 + 3	5.1
65	3/1	1	14.4
	3/2		15.1
	3/3		15.8
	3A1		23.8
	3A2		24.6
	3A3		25.8
	3/F - 3/D	2 + 3	14.0
	3AF - 3AD		18.2
80	3/2	1	16.5
	3/3		17.2
	3A2		26.4
	3A3		27.4
	4A2		54.7
	3/F - 3/D	2 + 3	15.2
	3AF - 3AD		20.0
100	3/3	1	17.8
	3A3		28.1
	4A3		63.3
	3/F - 3/D	2 + 3	16.0
	3AF - 3AD		21.0
	4AF - 4AD		35.0
125	4A2	1	58.0
	4A3		66.0
	4AF - 4AD	2 + 3	35.0
150	4A3	1	67.0
	4AF - 4AD	2 + 3	45.0

MG = diaphragm size, weight in kg

Weight:

Body

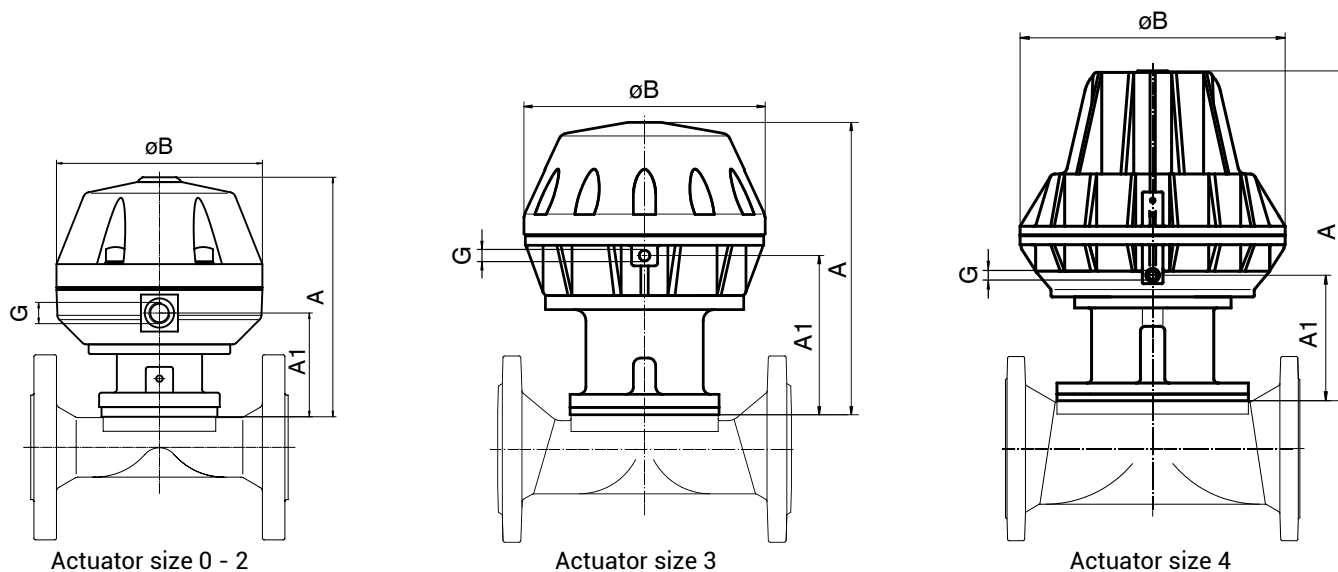
MG	DN	Threaded socket	Flange
		Connection types code	
		1	8, 38, 39, 51, 53, 56
25	15	0.5	1.9
	20	0.6	2.4
	25	0.9	2.9
40	32	1.2	4.9
	40	1.8	5.7
50	50	2.6	7.5
65	65	-	10.2
80	80	-	14.2
100	100	-	21.0
125	125	-	30.0
150	150	-	35.0

MG = diaphragm size, weight in kg

Dimensions

Actuator dimensions

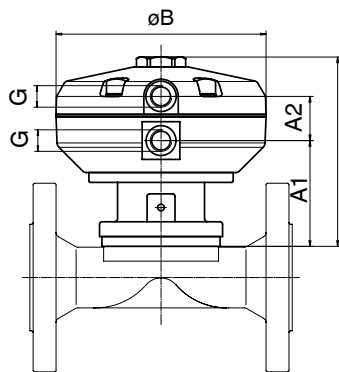
Control function 1



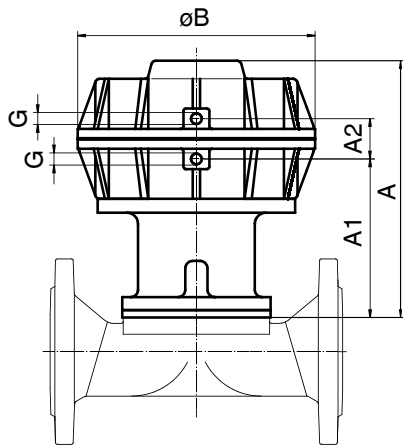
MG	DN	Actuator version	$\varnothing B$	A	A1	G
25	15 - 25	0/N	128	152	65	G 1/4
40	32 + 40	1/N	158	187	86	G 1/4
50	50	2/N	213	221	97	G 1/4
65	65	3/1	259	333	173	G 1/4
		3/2	259	333	173	
		3/3	259	333	173	
		3A1	256	307	172	
		3A2	256	307	172	
		3A3	256	307	172	
80	80	3/2	259	333	173	G 1/4
		3/3	259	333	173	
		3A2	256	307	172	
		3A3	256	307	172	
		4A2	360	439	159	
100	100	3/3	259	333	173	G 1/4
		3A3	256	307	172	
		4A3	360	439	159	
125	125	4A2	360	451	171	G 1/4
		4A3	360	451	171	
150	150	4A3	360	440	160	G 1/4

Dimensions in mm, MG = diaphragm size

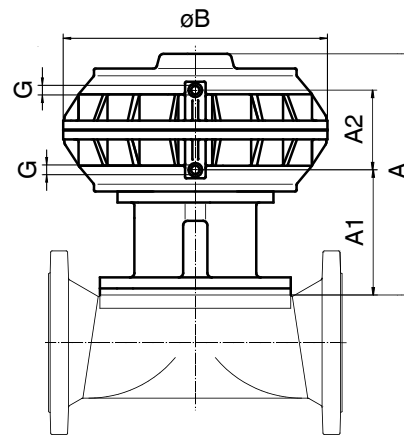
Control functions 2 + 3



Actuator size 0 - 2



Actuator size 3



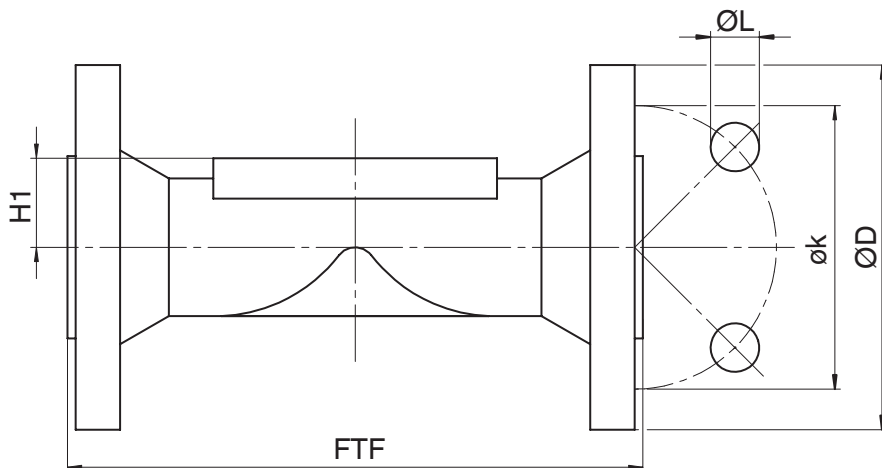
Actuator size 4

MG	DN	Actuator size	ø B	A	A1	A2	G
25	15 - 25	0/F - 0/D	128	117	66	28	G 1/4
40	32 + 40	1/F - 1/D	158	143	84	27	G 1/4
50	50	2/F - 2/D	213	167	96	28	G 1/4
65	65	3/F - 3/D	258	284	170	45	G 1/4
65	65	3AF - 3AD	258	284	170	45	G 1/4
80	80	3/F - 3/D	256	282	169	45	G 1/4
80	80	3AF - 3AD	256	282	169	45	G 1/4
100	100	3/F - 3/D	256	282	169	45	G 1/4
100	100	3AF - 3AD	256	282	169	45	G 1/4
100	100	4AF - 4AD	360	322	156	109	G 1/4
125	125	4AF - 4AD	360	334	168	109	G 1/4
150	150	4AF - 4AD	360	323	156	109	G 1/4

Dimensions in mm, MG = diaphragm size

Body dimensions

Flange EN (code 8)



MG	DN	Connection type code 8 ¹⁾						
		Material code ²⁾						
						8	17, 18, 83	
		øD	øk	øL	n	H1	H1	FTF
25	15	95.0	65.0	14.0	4	19.0	18.0	130.0
	20	105.0	75.0	14.0	4	19.0	20.5	150.0
	25	115.0	85.0	14.0	4	19.0	23.0	160.0
40	32	140.0	100.0	19.0	4	28.0	28.7	180.0
	40	150.0	110.0	19.0	4	28.0	33.0	200.0
50	50	165.0	125.0	19.0	4	35.0	39.0	230.0
65	65	185.0	145.0	19.0	4	27.5	51.0	290.0
80	80	200.0	160.0	19.0	8	33.0	59.5	310.0
100	100	220.0	180.0	19.0	8	43.0	73.0	350.0
125	125	250.0	210.0	19.0	8	65.0	87.0	400.0
150	150	285.0	240.0	23.0	8	58.0	109.0	480.0

Dimensions in mm, MG = diaphragm size
n = number of bolt holes

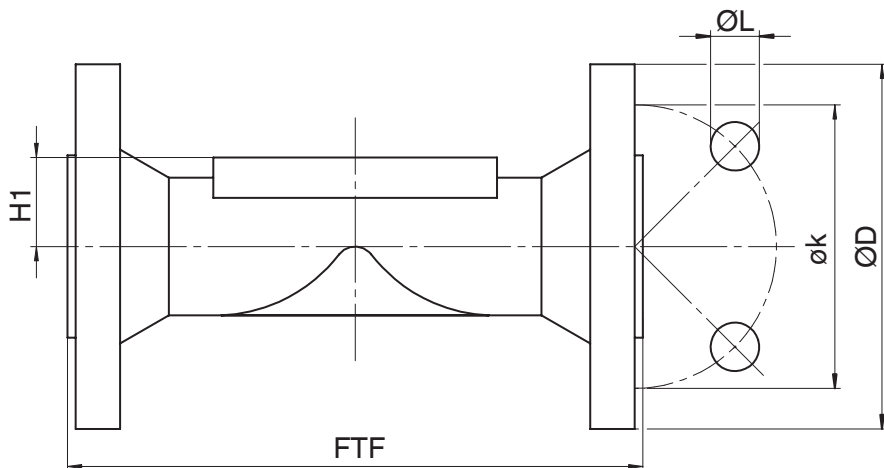
1) **Connection type**

Code 8: Flange EN 1092, PN 16, form B, face-to-face dimension FTF EN 558 series 1, ISO 5752, basic series 1, length only for body configuration D

2) **Valve body material**

Code 8: EN-GJL-250 (GG 25)
Code 17: EN-GJS-400-18-LT (GGG 40.3), PFA lined
Code 18: EN-GJS-400-18-LT (GGG 40.3), PP lined
Code 83: EN-GJS-400-18-LT (GGG 40.3), hard rubber lined

Flange EN (code 53)

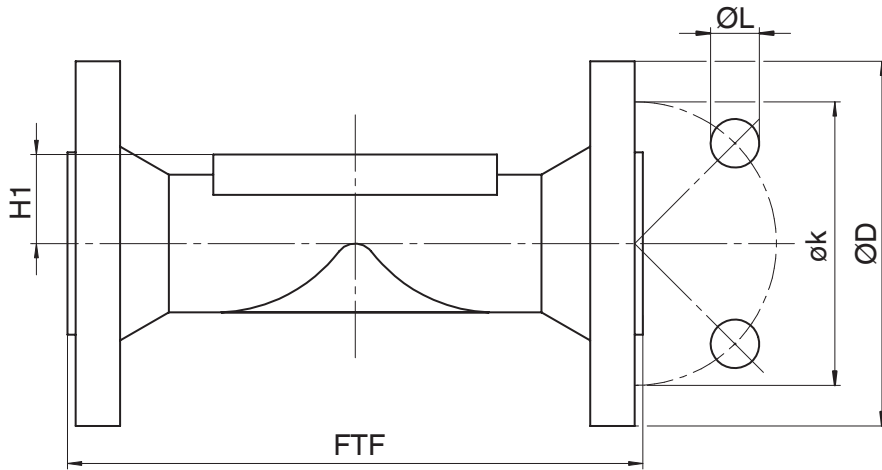


MG	DN	Connection type code 53 ¹⁾								
		Material code ²⁾								
		8	17				8	17	8	17
		øD	øD	øk	øL	n	H1	H1	FTF	FTF
25	15	95.0	-	65.0	14.0	4	19.0	-	117.0	-
	20	105.0	-	75.0	14.0	4	19.0	-	117.0	-
	25	115.0	-	85.0	14.0	4	19.0	-	127.0	-
40	32	140.0	-	100.0	19.0	4	28.0	-	-	-
	40	150.0	-	110.0	19.0	4	28.0	-	159.0	-
50	50	165.0	-	125.0	19.0	4	35.0	-	191.0	-
65	65	185.0	-	145.0	19.0	4	27.5	-	216.0	-
80	80	200.0	-	160.0	19.0	8	33.0	-	254.0	-
100	100	220.0	-	180.0	19.0	8	43.0	-	305.0	-
125	125	250.0	-	210.0	19.0	8	65.0	-	356.0	-
150	150	285.0	280,0 ³⁾	240.0	23.0	8	58.0	109.0	406.0	416.0

Dimensions in mm, MG = diaphragm size
n = number of bolt holes

- 1) **Connection type**
Code 53: Flange EN 1092, PN 16, form A, face-to-face dimension FTF EN 558 series 7, ISO 5752, basic series 7, length only for body configuration D
- 2) **Valve body material**
Code 8: EN-GJL-250 (GG 25)
Code 17: EN-GJS-400-18-LT (GGG 40.3), PFA lined
- 3) Diameter deviates from standard

Flange ANSI Class (code 38, 39)



MG	DN	Connection types code ¹⁾									
					38			38			39
		Material code ²⁾									
		øD	øk	øL	n	H1	H1	FTF	FTF	FTF	
25	15	90.0	60.3	15.9	4	19.0	18.0	-	-	130.0	
	20	100.0	69.9	15.9	4	19.0	20.5	146.0	146.4	150.0	
	25	110.0	79.4	15.9	4	19.0	23.0	146.0	146.4	160.0	
40	32	115.0	88.9	15.9	4	28.0	28.7	-	-	180.0	
	40	125.0	98.4	15.9	4	28.0	33.0	175.0	171.4	200.0	
50	50	150.0	120.7	19.0	4	35.0	39.0	200.0	197.4	230.0	
65	65	180.0	139.7	19.0	4	27.5	51.0	226.0	222.4	290.0	
80	80	190.0	152.4	19.0	4	33.0	59.5	260.0	260.4	310.0	
100	100	230.0	190.5	19.0	8	43.0	73.0	327.0	324.4	350.0	
125	125	255.0	215.9	22.2	8	65.0	87.0	-	-	400.0	
150	150	280.0	241.3	22.2	8	58.0	109.0	416.0	416.0	480.0	

Dimensions in mm, MG = diaphragm size

n = number of bolt holes

1) **Connection type**

Code 38: Flange ANSI Class 150 RF, face-to-face dimension FTF MSS SP-88, length only for body configuration D

Code 39: Flange ANSI Class 125/150 RF, face-to-face dimension FTF EN 558 series 1, ISO 5752, basic series 1, length only for body configuration D

2) **Valve body material**

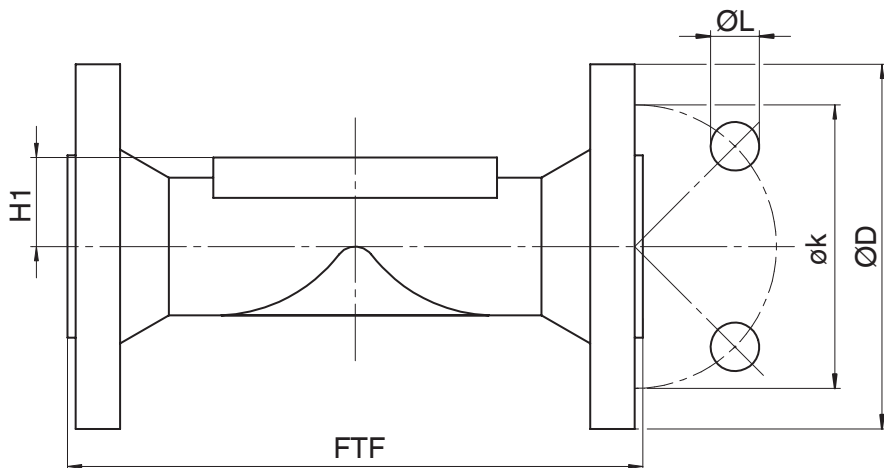
Code 8: EN-GJL-250 (GG 25)

Code 17: EN-GJS-400-18-LT (GGG 40.3), PFA lined

Code 18: EN-GJS-400-18-LT (GGG 40.3), PP lined

Code 83: EN-GJS-400-18-LT (GGG 40.3), hard rubber lined

Flange ANSI Class (code 56)



MG	DN	Connection type code 56 ¹⁾									
		Material code ²⁾						17	81, 91	17	81, 91
		øD	øk	øL	n	H1	H1	FTF	FTF		
25	25	110.0	79.4	15.9	4	-	23.0	-	127.0		
40	40	125.0	98.4	15.9	4	-	32.0	-	165.0		
50	50	150.0	120.7	19.0	4	-	40.0	-	191.0		
80	80	190.0	152.4	19.0	4	-	58.0	-	254.0		
100	100	230.0	190.5	19.0	8	-	70.0	-	311.0		
150	150	280.0	241.3	22.2	8	109.0	-	416.0	-		

Dimensions in mm, MG = diaphragm size

n = number of bolt holes

1) **Connection type**

Code 56: Flange ANSI Class 125/150 RF, face-to-face dimension FTF EN 558 series 7, ISO 5752, basic series 7, length only for body configuration D

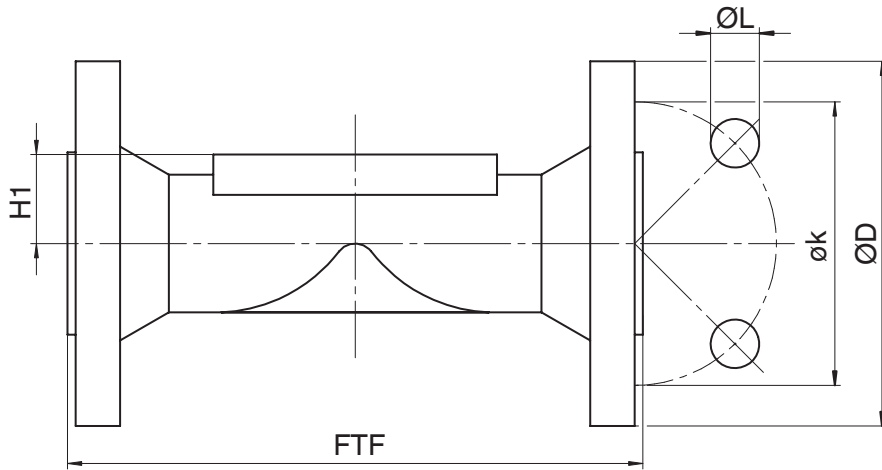
2) **Valve body material**

Code 17: EN-GJS-400-18-LT (GGG 40.3), PFA lined

Code 81: EN-GJS-500-7 (GGG 50), PFA lined

Code 91: EN-GJS-500-7 (GGG 50), PP lined

Flange BS (code 51)



MG	DN	Connection type code 51 ¹⁾									
		Material code ²⁾						17	81, 91	17	81, 91
		øD	øk	øL	n	H1	H1	FTF	FTF		
25	25	114.0	83.0	14.0	4	-	23.0	-	127.0		
40	40	125.0 ³⁾	98.0	14.0	4	-	32.0	-	165.0		
50	50	152.0	114.0	17.0	4	-	40.0	-	191.0		
80	80	184.0	146.0	17.0	4	-	58.0	-	254.0		
100	100	216.0	178.0	17.0	8	-	70.0	-	311.0		
150	150	279.0	235.0	22.0	8	109.0	-	416.0	-		

Dimensions in mm, MG = diaphragm size

n = number of bolt holes

1) **Connection type**

Code 51: Flange BS 10 Table "E", face-to-face dimension FTF EN 558 series 7, ISO 5752, basic series 7, length only for body configuration D

2) **Valve body material**

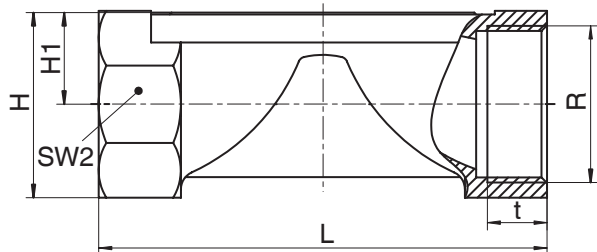
Code 17: EN-GJS-400-18-LT (GGG 40.3), PFA lined

Code 81: EN-GJS-500-7 (GGG 50), PFA lined

Code 91: EN-GJS-500-7 (GGG 50), PP lined

3) **Diameter deviates from standard BS 10**

Threaded socket DIN (code 1)



MG	DN	Connection type code 1 ¹⁾						
		Material code 8 ²⁾						
		R	H	H1	t	L	SW 2	n
25	15	G 1/2	35.0	19.0	12.0	85.0	32	6
	20	G 3/4	40.0	19.0	13.0	85.0	41	6
	25	G 1	42.0	19.0	16.0	110.0	46	6
40	32	G 1¼	56.0	28.0	16.0	120.0	55	6
	40	G 1½	61.0	28.0	18.0	140.0	65	6
50	50	G 2	73.0	35.0	18.0	165.0	75	6

Dimensions in mm, MG = diaphragm size
 n = number of flats

- 1) **Connection type**
 Code 1: Threaded socket DIN ISO 228
- 2) **Valve body material**
 Code 8: EN-GJL-250 (GG 25)



GEMÜ Gebr. Müller Apparatebau GmbH & Co. KG
Fritz-Müller-Straße 6-8, 74653 Ingelfingen-Criesbach,
Germany
Phone +49 (0)7940 123-0 · info@gemue.de
www.gemu-group.com