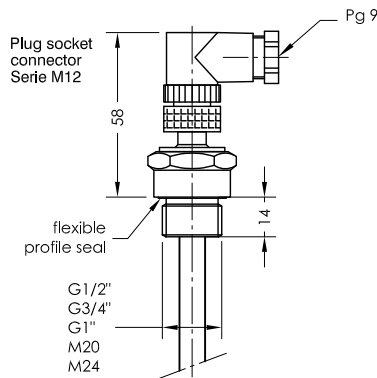
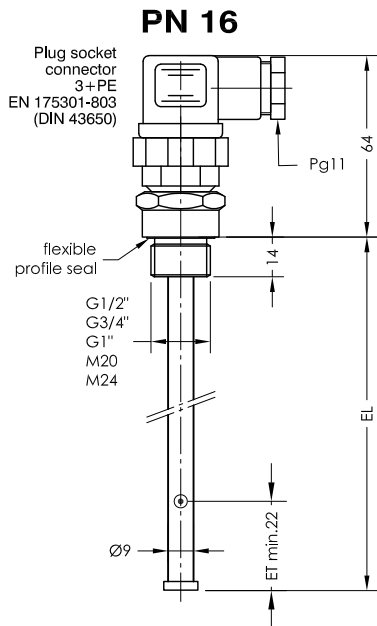


WTR - G1/2" - G3/4" - G1" - M20 - M24

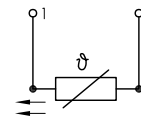
Resistance thermometer Pt100

serial No. Date
TR-GB- 506 01/21

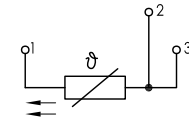


Plug securing

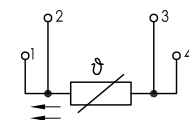
Pt100



two-wire connection



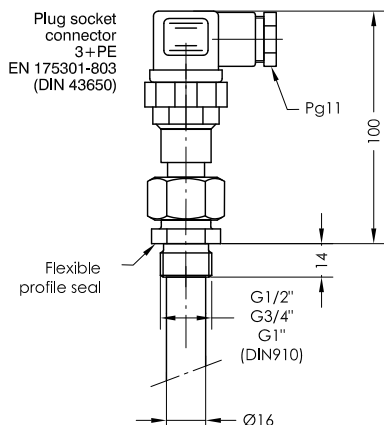
Three-wire connection



four-wire connection

Pin assignment

PN 64



Specimen order

WTR - G 1/2" PN16-MS-Pt100-III-200-M12

Connection thread

G1/2"
G3/4"
G1"
M20
M24

Operating pressure

PN 16
PN 64

Execution

MS = Brass
VA = stainless steel - G1/2", G3/4", G1"
(DIN910)
III = three-wire connection
IV = four-wire connection

Plug socket connector 3+PE M12

EL = length of immersion
tube (mm)
22
100
200
300
400
500
800
1000

Order code

ET= Minimum Immersion depth of sensor in medium for precise scanning.

Description

Resistance thermometers are used for direct temperature measurement in the range of -50°C to +120°C.

Standardized basic values enable the resistance thermometer to be used at indicating and control devices without calibration.

With a Pt100, the resistance is 100 Ω ±0,12% at 0°C. The resistance is correspondingly greater at higher temperatures and smaller at lower temperatures.

Technical data

Measuring tube	Brass / stainless steel
Connecting thread / nominal pressure	PN 16 - brass G1/2" SW27 brass G3/4" SW32 brass G1" SW41 brass M20 x 1,5 SW27 brass M24 x 1,5 SW32 PN 64 - stainless steel G1" SW41 stainless steel G1/2" SW27
Plug-socket connector	3+PE - EN 175301-803 (DIN 43650) IP65 or serie M12 IP67
Measuring inset	Pt100 with Standardized basics to DIN IEC 60751
Temperature range	-50°C to +120°C

Other temperature ranges available on request

Technical data



GOLDAMMER
REGELUNGSTECHNIK GMBH

SCHÖLLERSHEIDER STR. 15 PHONE (49) 2104/12093
P.O.BOX 10 02 17 FAX (49) 2104/12028
D-40802 METTMANN www.Goldammer-Regelungstechnik.com
info@goldammer-regelungstechnik.com