

41. MG, ML

Model F/H

MG/ML 132, 50/60 Hz

Bearing

Pos.	Description	Type	MG132B2-F1 MG132SB4-F1 MG132MB4-F1		ML132FA
			Pump type	CRN-SF	
		Kit No	96830797	96796600	96796642
153	Ball bearing		1	1	1
154	Ball bearing		1	1	1
157	O-ring		-	1	1
158	Corrugated spring		1	1	1
159	V-ring		1	1	1
159b	V-ring		1	1	1

End shield, drive end

Pos.	Description	Diameter Ø30		
		Kit No	96796220	96796222
	End shield	-	-	1
156b	End shield, long	-	1	-
	End shield, long, with grease nipple	1	-	-
159b	V-ring	1	1	1
185	Screw	4	4	4
185b	Nut	4	4	4
186	Drain plug	3	3	3
195a	Grease nipple	1	-	-

End shield, non-drive end

Pos.	Description	Diameter Ø30	
		Kit No	96932039
156a	End shield		1
157	O-ring		1
158	Corrugated spring		1
159	V-ring		1
159e	Shaft grounding ring		1
185a	Screw		4
185c	Nut		4

Eyebolt

Pos.	Description/Kit No	96796712
189	Eyebolt	2

Fan

Pos.	Description	Diameter		
		Ø128	Ø158	
		Kit No	96796189	96796190
156	Fan		1	1
100	O-ring		1	1

Flange

Pos.	Description	Type	MG132	ML132
		Flange dimension	FF265	213/215TC
		Kit No	96796224	96830887
156b	Flange		1	1
159b	V-ring		1	1
185	Screw		4	4
185b	Nut		4	4
186	Drain plug		4	4

Foot

Pos.	Description	Type	MG132S	MG132SM
		Kit No	96796592	96796596
191/ 191a	Foot with 2 holes		2	-
191	Right foot with 3 holes		-	1
191a	Left foot with 3 holes		-	1
192	Screw		4	4
192b	Nut		4	4
194	Lock washer		4	4

Grease nipple

Pos.	Description/Kit No	96796671
195a/ 195b	Grease nipple	2

Key

Pos.	Description/Kit No	96796817
171	Key	1

O-ring

Pos.	Description/Kit No	96798510	
184	O-ring	200 x 4 mm	2

Shaft grounding ring

Pos.	Description	Dia.	Ø30	Ø40	Ø50
		Kit No	96932119	96932121	96932122
159e	Shaft grounding ring		1	1	1
-	Screw (M3 x 12)		2	2	2

Shaft seal, IP55

Pos.	Description/Kit No	96843458
159d	V-ring	2

Shaft seal, IP66

Pos.	Description/Kit No	96796191
159d	Gamma ring	2

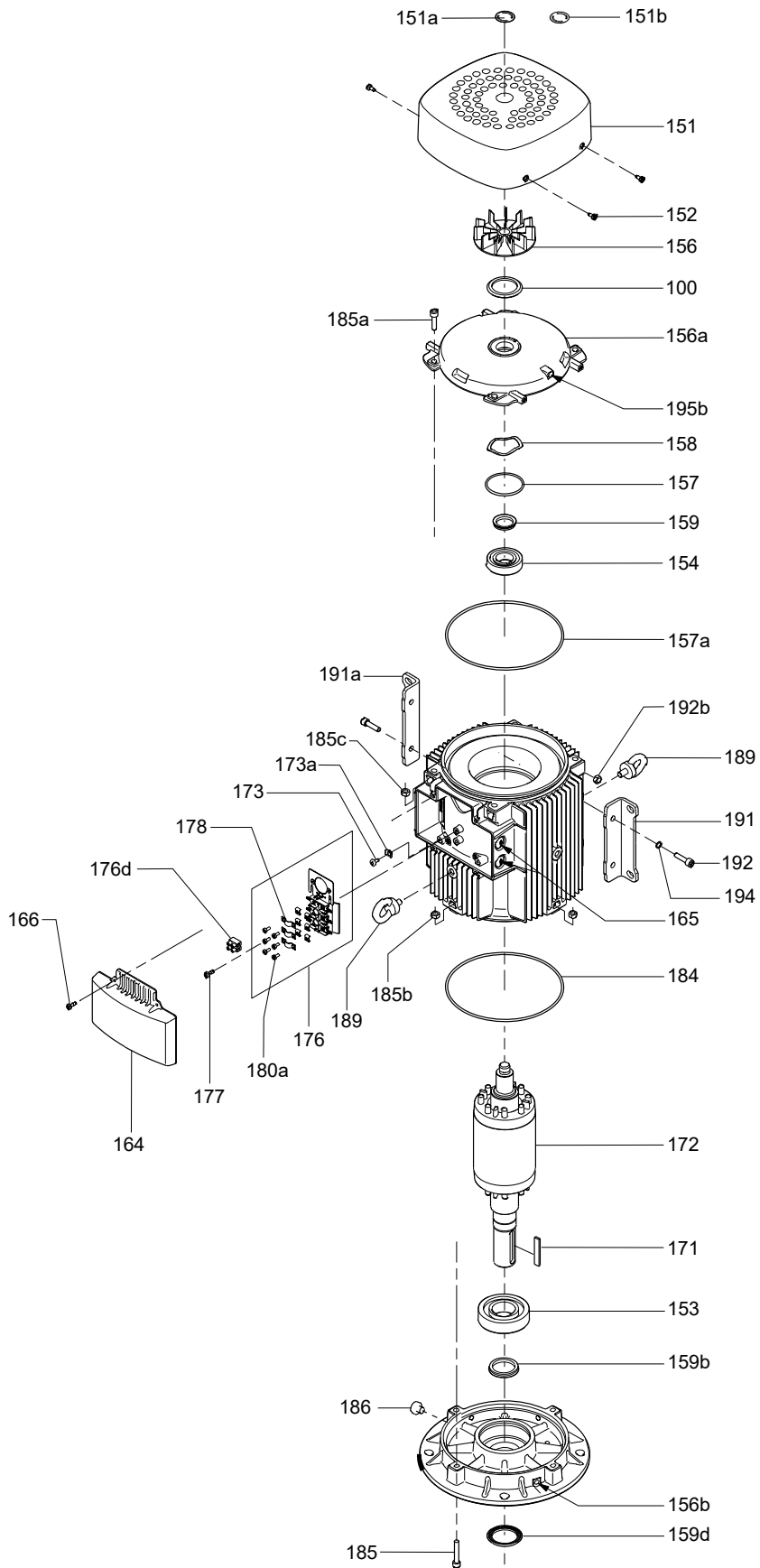
Terminal board

Pos.	Description/Kit No	96796657
176	Terminal board with nut and washers	1
177	Screw	1
-	Connecting bar	3
176d	Terminal	1

Terminal box cover

Pos.	Description/Kit No	96796215
164	Terminal box cover with gasket	1
166	Screw	4

MG 132-F/H



TMO38483

MG/ML 160**Bearing**

Pos.	Description	Type	MG160MB2-F1	ML160AA
			MG160MD2-F1	ML160AB
			MG160LB2-F1	ML160AC
			MG160MB4-F1	ML160AC
			MG160LB4-F1	
Pos.	Description	Pump type	CR, CRN, CRN-S, CRN-SF, CRK, MTR	Other pumps
		Kit No	96796676	96796674
153	Ball bearing		1	1
154	Ball bearing		1	1
157	O-ring		1	1
158	Corrugated spring		1	1

Bearing cover

Pos.	Description/Kit No	96796664
155a/ 155d	Bearing cover	1
182/ 182a	Screw with copper gasket	3

End shield, non-drive end

Pos.	Description	Diameter	Ø45
		Kit No	96932023
156a	End shield		1
157	O-ring		1
158	Corrugated spring		1
159e	Shaft grounding ring		1
185a	Screw		4
185c	Nut		4
195b	Grease nipple		1

End shield, drive end

Pos.	Description	Diameter	Ø45
		Kit No	96796660
156b	End shield, with grease nipple		1
185	Screw		4
185b	Nut		4
186	Drain plug		3
195a	Grease nipple		1

Eyebolt

Pos.	Description/Kit No	96796712
189	Eyebolt	2

Fan, CW

Pos.	Description	Diameter	Ø210	Ø215
		Kit No	96796654	96796650
156	Fan, CW		1	1
-	Retaining ring		1	1

Fan, CCW

Pos.	Description	Diameter	Ø210	Ø215
		Kit No	96796648	96796652
156	Fan, CCW		1	1
-	Retaining ring		1	1

Flange

Pos.	Description	Type	MG160	ML160
		Flange dimension	FF300	254/256TC
		Kit No	96796662	96830885
156b	Flange		1	1
185	Screw		4	4
185b	Nut		4	4
186	Drain plug		4	4
195a	Grease nipple		1	1

Foot

Pos.	Description	Type	MG160L	ML160M
		Kit No	96796665	96796666
191/ 191a	Foot with 2 holes		2	2
192	Screw		4	4
192b	Nut		4	4
194	Lock washer		4	4

Grease nipple

Pos.	Description/Kit No	96796671
195a/ 195b	Grease nipple	2

Key

Pos.	Description/Kit No	96796817
171	Key	1

O-ring

Pos.	Description/Kit No	96798508
184	O-ring	235 x 4 mm

Shaft grounding ring

Pos.	Description	Dia.	Ø30	Ø40	Ø50
		Kit No	96932119	96932121	96932122
159e	Shaft grounding ring		1	1	1
-	Screw (M3 x 12)		2	2	2

Shaft seal, IP55

Pos.	Description/Kit No	96843459
159d	V-ring	2

Shaft seal, IP66

Pos.	Description/Kit No	96796191
159d	Gamma ring	2

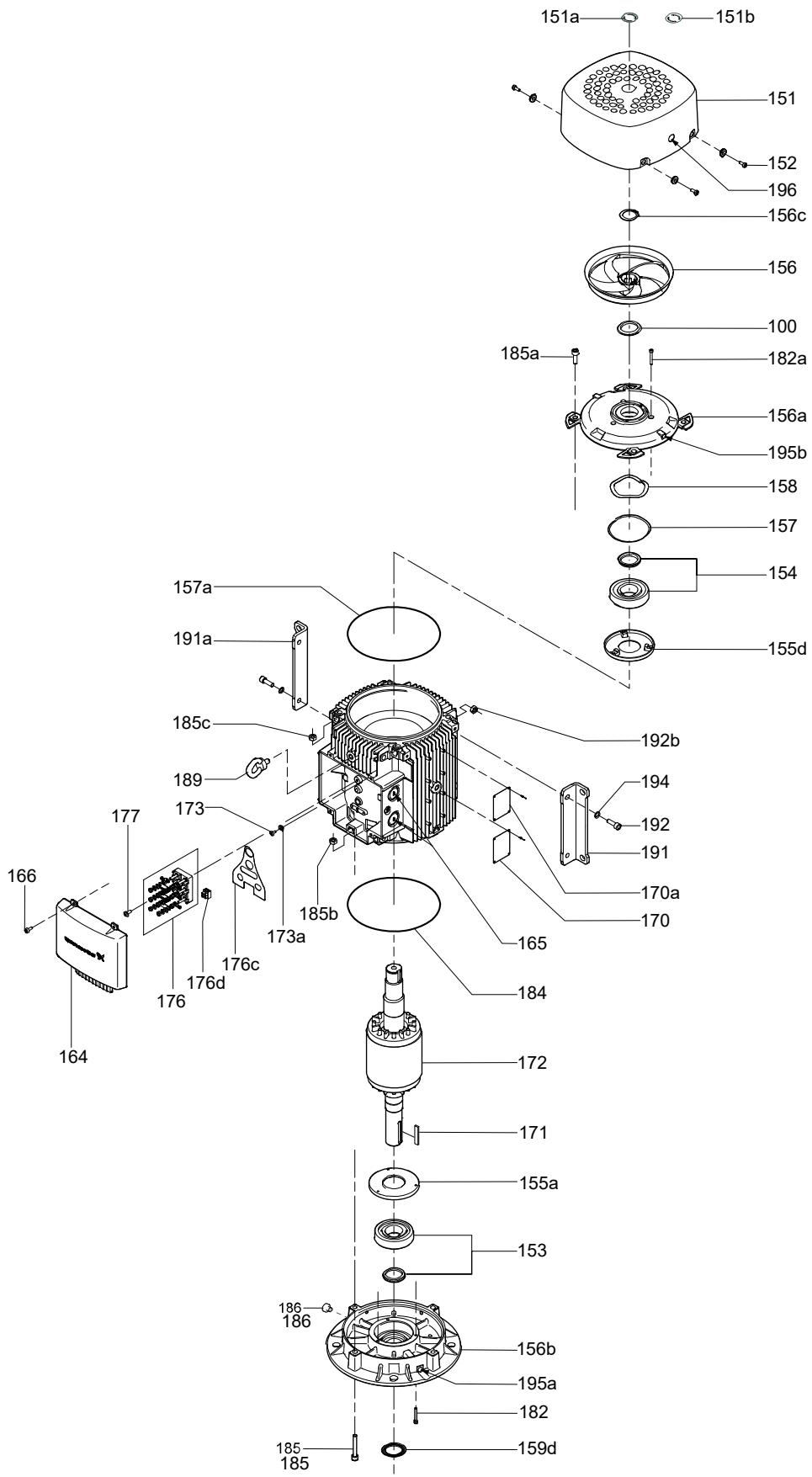
Terminal board

Pos.	Description/Kit No	96796657
176	Terminal board with nut and washers	1
177	Screw	1
-	Connecting bar	3
176d	Terminal	1

Terminal box cover

Pos.	Description/Kit No	96796659
164	Terminal box cover with gasket	1
166	Screw	4

MG 160/180-F/H



TM038485

MG/ML 180**Bearing**

Pos.	Description	Type	MG180MB2-F1		ML180AA
		Pump type	CR, CRN, CRN-S, CRN-SF, CRK, MTR	Other pumps	
			Kit No	96796812	96796811
153	Ball bearing		1	1	1
154	Ball bearing		1	1	1
158	Corrugated spring		1	1	1

Bearing cover

Pos.	Description/Kit No	96796809
155a/ 155d	Bearing cover	1
182/ 182a	Screw with copper gasket	3

End shield, non-drive end

Pos.	Description	Diameter	Ø50
		Kit No	96932040
156a	End shield		1
158	Corrugated spring		1
159e	Shaft grounding ring		1
185a	Screw		4
185c	Nut		4
195b	Grease nipple		1

End shield, drive end

Pos.	Description	Diameter	Ø50
		Kit No	96796805
156b	End shield, with grease nipple		1
185	Screw		4
185b	Nut		4
186	Drain plug		3
195a	Grease nipple		1

Eyebolt

Pos.	Description/Kit No	96796712
189	Eyebolt	2

Fan, CW

Pos.	Description	Diameter	Ø240	Ø270
		Kit No	96796790	96796791
156	Fan, CW		1	1
-	Retaining ring		1	1

Fan, CCW

Pos.	Description	Diameter	Ø240	Ø270
		Kit No	96796716	96796718
156	Fan, CCW		1	1
-	Retaining ring		1	1

Flange

Pos.	Description	Type	MG180	ML180
		Flange dimension	FF300	284/286TSC
			Kit No	96796807
156b	Flange		1	1
185	Screw		4	4
185b	Nut		4	4
186	Drain plug		4	4
195a	Grease nipple		1	1

Foot

Pos.	Description	Type	ML180M/L
		Kit No	96796804
191	Right foot with 3 holes		1
191a	Left foot with 3 holes		1
192	Screw		4
192b	Nut		4
194	Lock washer		4

Grease nipple

Pos.	Description/Kit No	96796671
195a/ 195b	Grease nipple	2

O-ring

Pos.	Description/Kit No	96798508
184	O-ring	235 x 4 mm

Key

Pos.	Description/Kit No	96796817
171	Key	1

Shaft grounding ring

Pos.	Description	Dia.	Ø30	Ø40	Ø50
		Kit No	96932119	96932121	96932122
159e	Shaft grounding ring		1	1	1
-	Screw (M3 x 12)		2	2	2

Shaft seal, IP55

Pos.	Description/Kit No	96843460
159d	V-ring	2

Shaft seal, IP66

Pos.	Description/Kit No	96796802
159d	Gamma ring	2

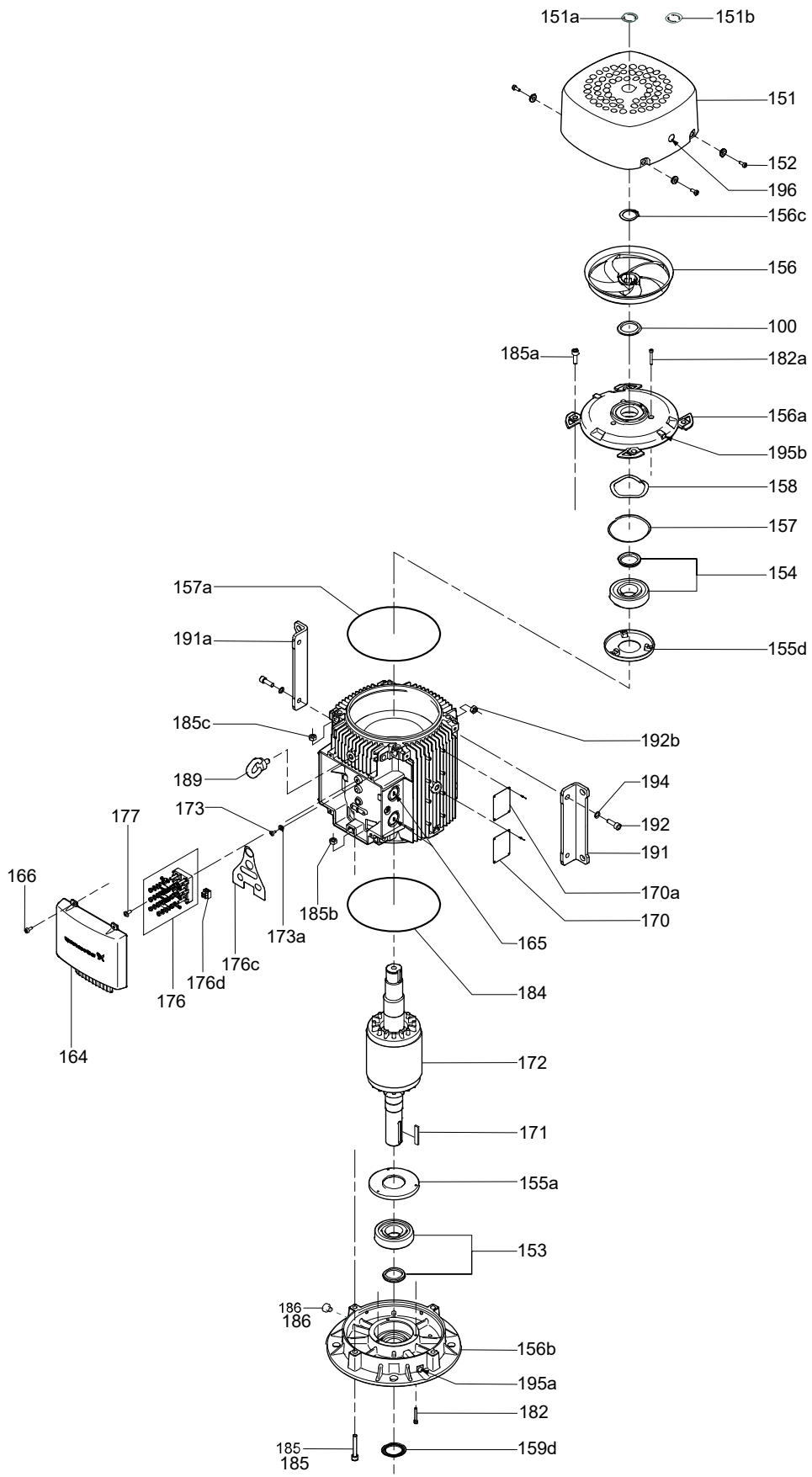
Terminal board

Pos.	Description/Kit No	96796657
176	Terminal board with nut and washers	1
177	Screw	1
-	Connecting bar	3
176d	Terminal	1

Terminal box cover

Pos.	Description/Kit No	96796659
164	Terminal box cover with gasket	1
166	Screw	4

MG 160/180-F/H



TM038485