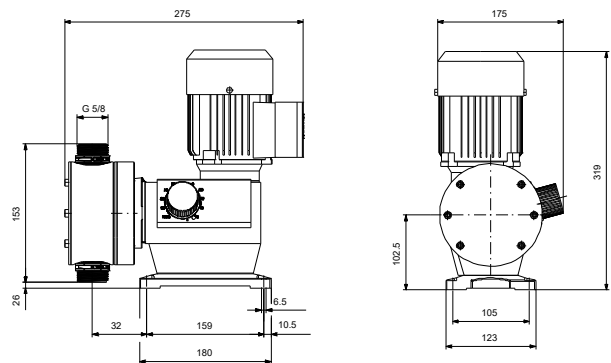
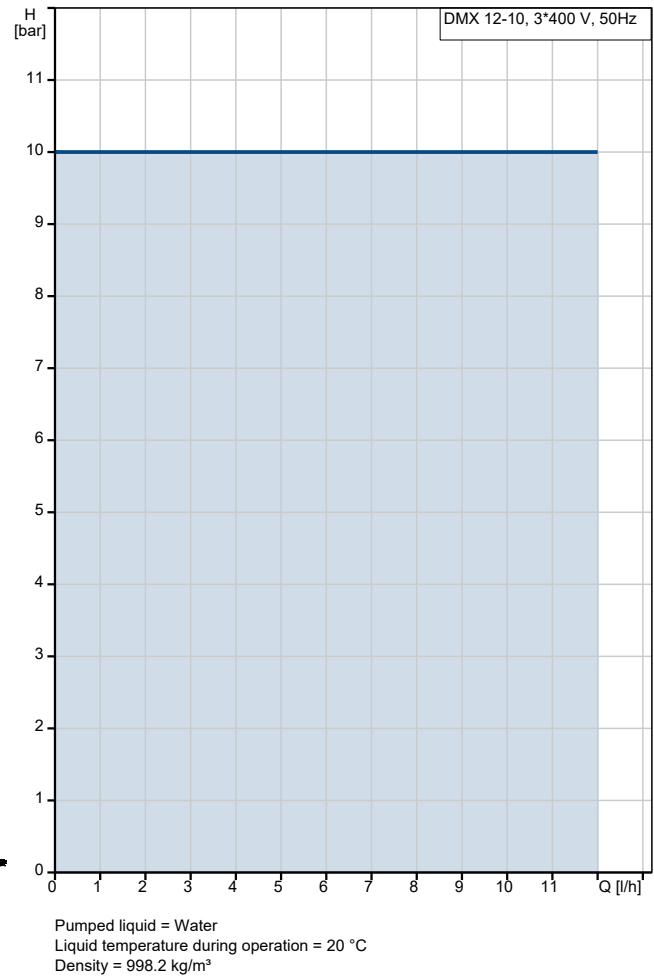


Description	Value
<b>General information:</b>	
Product name:	DMX 12-10 B-PVC/V/C-X-E1U2U2XEMNG
Product No:	On request
EAN number:	On request
<b>Technical:</b>	
Nominal flow rate at 50 Hz:	12 l/h
Number of dosing heads:	1
Approvals:	CE,EAC,CNROHSEX
Non return valve type, inlet pump 1:	Standard
Non return valve type, outlet pump 1:	Standard
Max viscosity:	200 mPas
<b>Materials:</b>	
Pump housing:	Noryl
Dosing head, pump 1:	Plastic PVC
Valve ball:	Ceramic
Valve ball:	Al2O3
Valve seat:	Rubber
Valve seat:	FKM
Valve gasket:	FKM
Valve gasket:	Rubber
<b>Installation:</b>	
Max operating pressure at 50 Hz:	10 bar
Maximum permissible inlet pressure:	0 bar
Type of inlet connection:	Connection pack
Type of outlet connection:	Connection pack
Size of inlet connection:	4/6, 6/9, 6/12, 9/12
Size of outlet connection:	4/6, 6/9, 6/12, 9/12
<b>Liquid:</b>	
Pumped liquid:	Water
Liquid temperature range:	0 .. 40 °C
Selected liquid temperature:	20 °C
Density:	998.2 kg/m <sup>3</sup>
<b>Electrical data:</b>	
Power input P1:	0.09 kW
Mains frequency:	50 Hz
Max. frequency:	50 Hz
Rated voltage:	3 x 230/400 V
Enclosure class (IEC 34-5):	IP65
Cable included (Yes/No):	N
Power plug:	No plug
<b>Controls:</b>	
Type of connector:	No plug
Type of control variant:	Standard
Frequency converter:	Not prepared for VFD
<b>Others:</b>	
Net weight:	7 kg
Gross weight:	9.55 kg
Shipping volume:	0.04 m <sup>3</sup>
Diaphragm Leakage Detection:	N





Company name:

Created by:

Phone:

Date:

13/01/2026

Order Data:

Position	Your pos.	Product name	Amount	Product No	Total
		DMX 12-10 B-PVC/V/C-X-E1U2U2XEMNG	1	On request	