

Product Information

Electronic Pressure Switch PSD30



- Measuring range 1..600 bar
- Display for pressure, Min/Max-peak values
- Manipulation protected via Password
- Different switching functions programmable

Characteristics

The pressure switch PSD30 conduces for measuring and monitoring of process pressure for not explosive gases and not crystallized liquids. Therefor the device offers 2 electronic alarm outputs. A Programmable switching delays can filter pressure peaks. The additional analogue output enables the control in a control circuit.

Technical data

Power supply

Supply voltage : 15..30 V DC
 Current consumption : max. 100 mA
 Process temperature : -20..+80 °C
 Ambient temperature : -20..+85 °C
 Compensated temperature range : 0..80 °C (range of accuracy)
 CE- conformity : 2004/108/EG, EN 61326, interference emission group 1, class B, 97/23/EG pressure equipment directive

Display

Indicating range : LED red 9 mm
 Accuracy : $\leq 1\% \pm 1$ Digit

Measuring range : max. 600 bar

Alarm outputs : 2 x transistor PNP n.c./n.o.

Switching voltage : $U_B - 1.5$ V
 Switching current : 0.7 A each alarm output, with short-circuit-proof

Rise time (t90) : ≤ 10 ms
 Accuracy : ≤ 1.0 % of the span

Analog output : 0/4..20 mA
 Burden : $RA \leq (U_B - 8 V) \div 0.02 A$, (max. 500 Ω)

Accuracy : ≤ 0.5 % of the span
Case : subpart 316L, head plastic PBT turn-able 300°

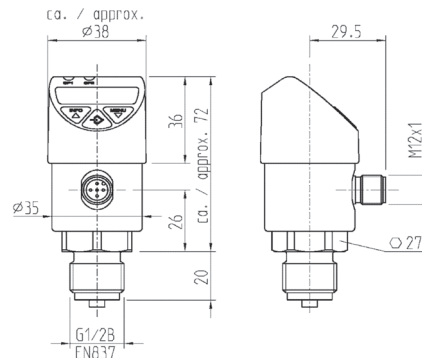
Process material : process thread 316L, sensor 316L (< 0..10 bar relative 13-8PH), seal NBR

Control panel : Polyester

Weight : max. 280g
 Connection : round plug M12 x 1;
 5 pol. straight or angular type

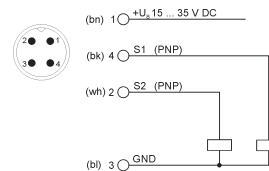
Protection class : IP67

Dimensions

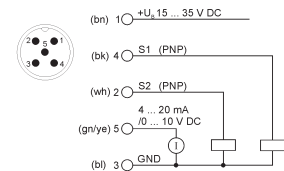


Connection diagrams

2 switching outputs



2 switching outputs + 1 analogue output



Ordering code

PSD30 - 1. - 2. - 3. - 4. - 5.

| | |
|-----------------------------------------------------------|------------------------------------------------------------|
| 1. Switching output | |
| 2T | 2 outputs PNP Transistor |
| 2. Analogue output | |
| 00 | without |
| AO | analogue output 0/4..20 mA, 3-wire |
| 3. Process connection | |
| G ¼ A | male thread |
| G ½ B | male thread |
| G ¼ X | female thread |
| 4. Options | |
| 00 | without option |
| ABS | absolute pressure |
| 5. Measuring ranges [bar] | |
| 1/ 1,6/ 2,5/ 4/ 6/ 10/ 16/ 25/ 40/ 60/ 100/ 160/ 400/ 600 | |
| Accessories | connection cable, 5 pole cable socket, IP67, open line end |
| SKM5E-02 | 2 m length |
| SKM5E-05 | 5 m length |
| SKM5E-10 | 10 m length |
| SKM5EW-02 | 2 m length |
| SKM5EW-05 | 5 m length |
| SKM5EW-10 | 10 m length |

Connection cable

SKM5EW-XX

SKM5E-XX

