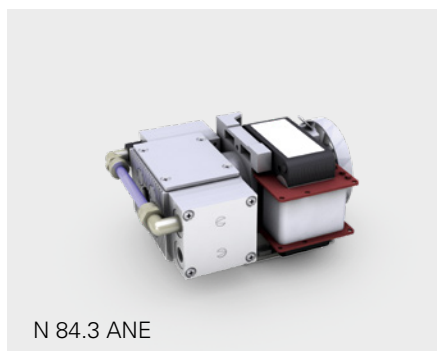
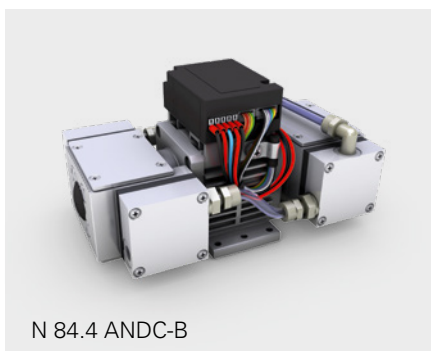


# N 84 SERIES VACUUM PUMPS



N 84.3 ANE



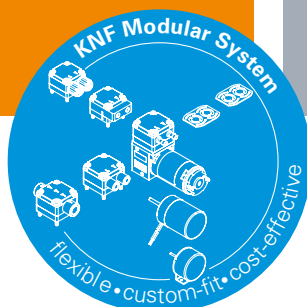
N 84.4 ANDC-B

## ADVANTAGES

- High-speed evacuation of the measurement chamber thanks to exceptional suction speed
- High flow rate in deep vacuum
- Stable vacuum in the transfer area to the turbomolecular pump

## POSSIBLE AREAS OF USE

- Can be used as roughing pump for turbomolecular pumps
- Degassing – removal of dissolved gas from the ink
- Analytical technology



Please visit our website  
[www.knf.com](http://www.knf.com)  
to get more information

## PERFORMANCE DATA

| Series model                            | N 84.3      |         | N 84.4  |         |            |
|---|-------------|---------|---------|---------|------------|
|   | ANE         | ANDC    | ANDC    | ANDC-B  | AN.29 DC-B |
| Pump head                               | Aluminum    |         |         |         |            |
| Diaphragm                               | PTFE-coated |         |         |         |            |
| Valves                                  | EPDM        |         |         |         |            |
| Flow rate at atm. pressure (l/min)      | 4.2         | 5.0     | 4.8     |         | 1.0–4.8    |
| Ultimate vacuum (mbar abs.)             | 7           |         | 2       |         | up to 2    |
| Max. operating pressure (bar rel./psig) | 0.3/4.4     |         |         |         |            |
| Permissible ambient temperature (°C)    | +5 ... +40  |         |         |         |            |
| Permissible media temperature (°C)      | +5 ... +40  |         |         |         |            |
| Weight (kg/lbs)                         | 1.4/3.1     | 0.9/2.0 | 1.6/3.5 | 1.8/4.0 |            |

## ELECTRICAL DATA

|                          |                   |                    |             |                    |  |
|--------------------------|-------------------|--------------------|-------------|--------------------|--|
| Voltage (V)              | 230               | 6   12   24        | 12   24     | 24                 |  |
| Motor                    | Shaded pole motor | DC motor           |             | Brushless DC motor |  |
| Protection class motor   | IP 00             | IP 50              |             | IP 20              |  |
| Frequency (Hz)           | 50                | -                  |             |                    |  |
| Power P <sub>i</sub> (W) | 65.0              | -                  |             |                    |  |
| I <sub>max</sub> (A)     | 0.75              | 3.00   1.50   0.75 | 1.30   0.85 | 1.20               |  |

## ACCESSORIES

| Description           | Part No. | Details              |
|-----------------------|----------|----------------------|
| Silencer/Inlet filter | 000345   | G 1/8                |
| Hose connector        | 001936   | G 1/8 PA             |
| Rubber foot           | 024435   | 2 x (for N 84.3 ANE) |

## SPARE PARTS

| Description      | Part No. | Details |
|------------------|----------|---------|
| Valve plate      | 055353   |         |
| Sealing ring     | 055354   |         |
| Diaphragm        | 027578   |         |
| Diaphragm spacer | 024986   |         |
| Disk spring      | 024987   |         |
| Washer           | 005193   |         |

The performance values for the series models shown on this data sheet were determined under test conditions. The actual performance values may differ and depend in particular on the usage conditions and therefore on the specific application, on the parameters of the components involved in the user's system and on any technical modifications carried out which deviate from the standard configuration or the as delivered condition.

If individual designs have been created for specific customers on the basis of series models, other technical performance data may apply.

Before operation begins, the relevant operating instructions and/or assembly or installation instructions should be read and the safety information contained in these instructions should be noted.

KNF reserves the right to make changes to the product and the associated documentation without prior notice to the customer.



[www.knf.com](http://www.knf.com)

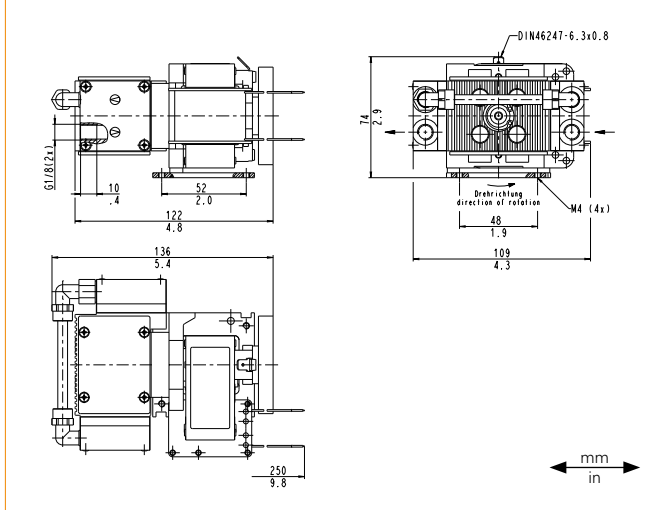
# N 84.3 ANE

## PERFORMANCE DATA

| Series model | Flow rate at atm. pressure (l/min) <sup>1)</sup> | Max. operating pressure (bar rel./psig) | Ultimate vacuum (mbar abs.) |
|--------------|--|---|-----------------------------|
| N 84.3 ANE   | 4.2  | 0.3/4.4                                 | 7                           |

<sup>1)</sup> Liter at STP

### N 84.3 ANE



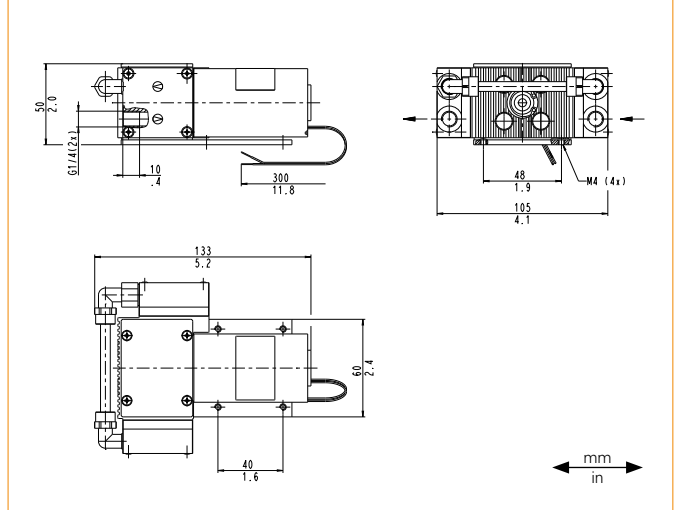
# N 84.3 ANDC

## PERFORMANCE DATA

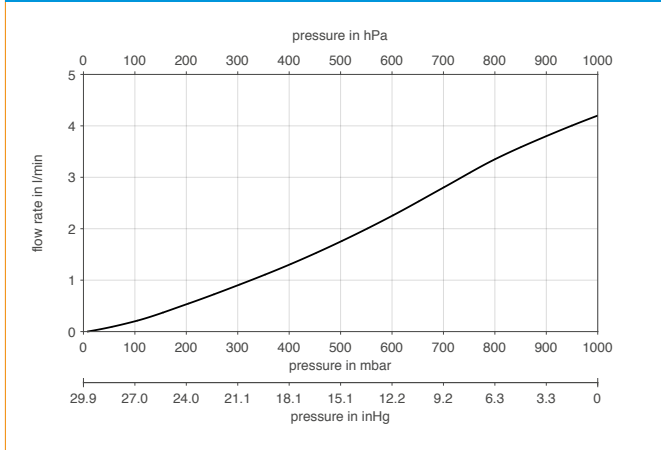
| Series model | Flow rate at atm. pressure (l/min) <sup>1)</sup> | Max. operating pressure (bar rel./psig) | Ultimate vacuum (mbar abs.) |
|--------------|--|---|-----------------------------|
| N 84.3 ANDC  | 5.0  | 0.3/4.4                                 | 7                           |

<sup>1)</sup> Liter at STP

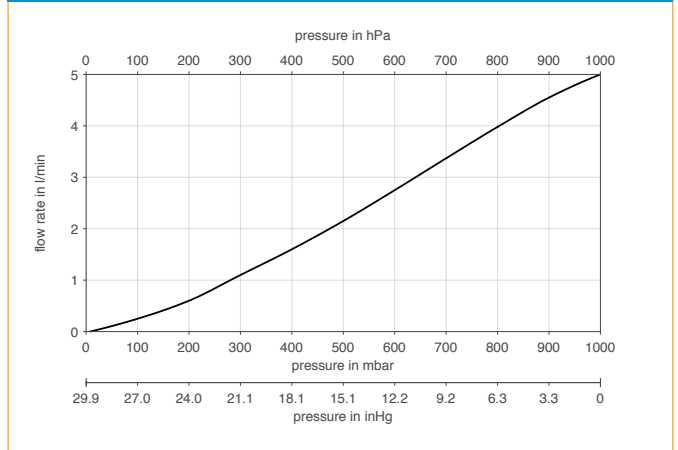
### N 84.3 ANDC



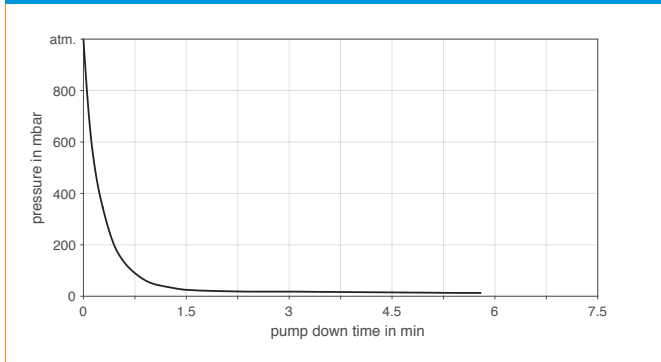
### N 84.3 ANE



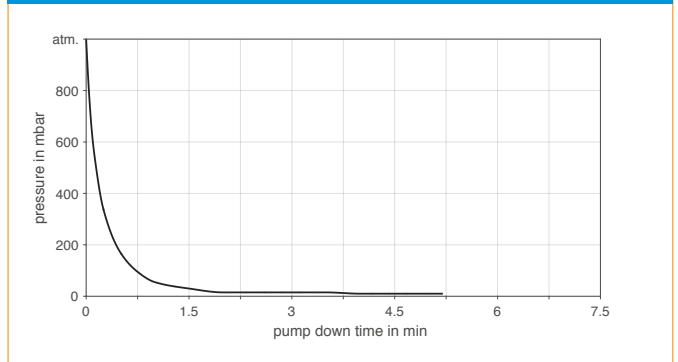
### N 84.3 ANDC



### N 84.3 ANE | PUMP DOWN TIME FOR 1 LITER VESSEL



### N 84.3 ANDC | PUMP DOWN TIME FOR 1 LITER VESSEL



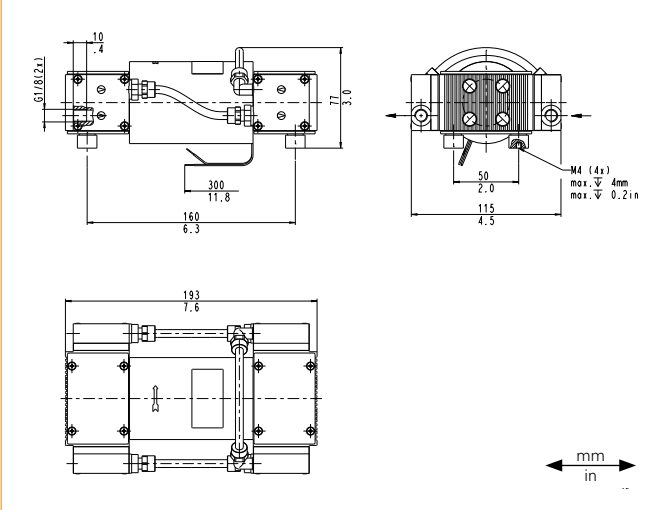
# N 84.4 ANDC

## PERFORMANCE DATA

| Series model | Flow rate at atm. pressure (l/min) <sup>1)</sup> | Max. operating pressure (bar rel./psig) | Ultimate vacuum (mbar abs.) |
|--------------|--|---|-----------------------------|
| N 84.4 ANDC  | 4.8  | 0.3/4.4                                 | 2                           |

<sup>1)</sup> Liter at STP

### N 84.4 ANDC



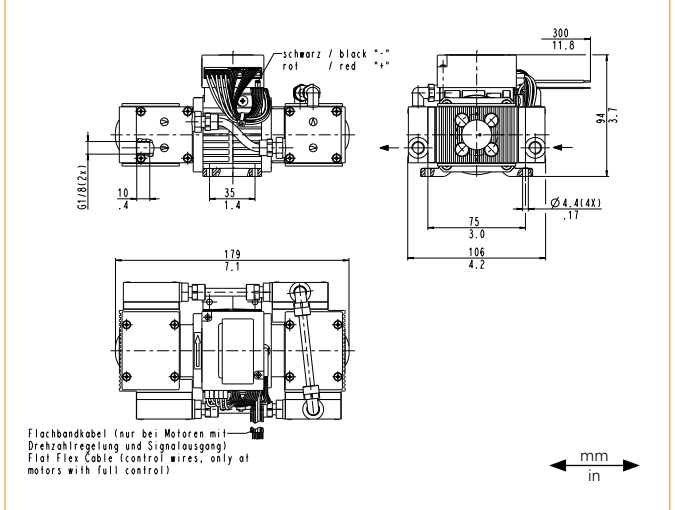
# N 84.4 ANDC-B | AN.29 DC-B

## PERFORMANCE DATA

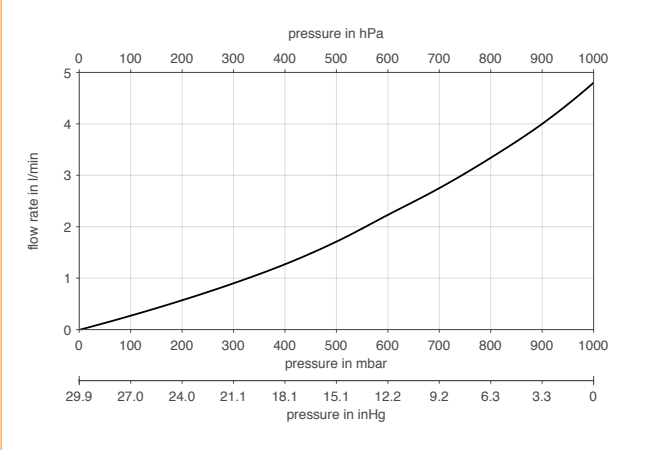
| Series model      | Flow rate at atm. pressure (l/min) <sup>1)</sup> | Max. operating pressure (bar rel./psig) | Ultimate vacuum (mbar abs.) |
|-------------------|--|---|-----------------------------|
| N 84.4 ANDC-B     | 4.8  | 0.3/4.4                                 | 2                           |
| N 84.4 AN.29 DC-B | 1.0-4.8  | 0.3/4.4                                 | up to 2                     |

<sup>1)</sup> Liter at STP

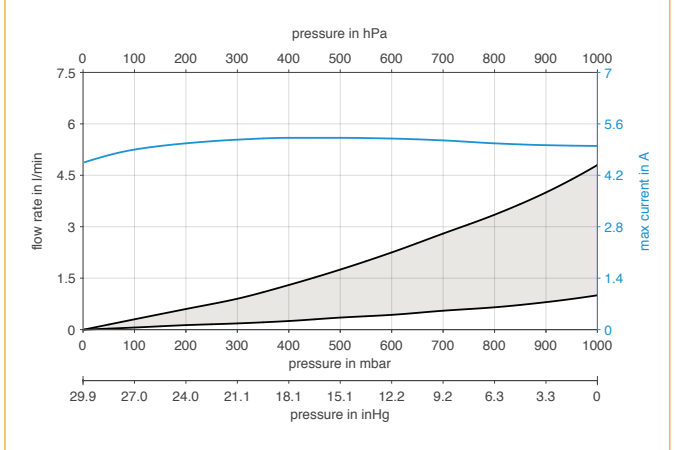
### N 84.4 ANDC-B | AN.29 DC-B



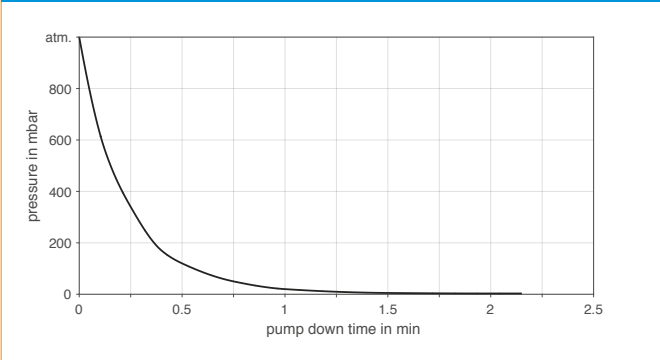
### N 84.4 ANDC



### N 84.4 ANDC-B | AN.29 DC-B



### N 84.4 ANDC | PUMP DOWN TIME FOR 1 LITER VESSEL



### N 84.4 ANDC-B | AN.29 DC-B | PUMP DOWN TIME FOR 1 LITER VESSEL

