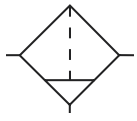
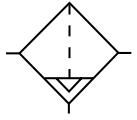


Particulate Filter F39

= "Most Popular"



Manual Drain



Auto Drain



F39-08-SL00

Features

- Standard 5 Micron Filtration
- High Flow Capacities
- 3/4" and 1" NPT Ports
- Port Blocks for BSPP Thread and 1-1/2" Ports
- Quick-disconnect Bowl

Specifications

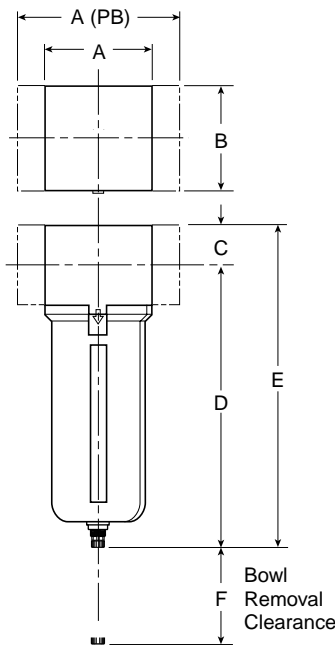
Flow Capacity*	3/4	270 SCFM (127 dm ³ /s)
	1	280 SCFM (132 dm ³ /s)
Maximum Supply Pressure	250 PSIG (17 bar)	
Operating Temperature	32° to 175°F (0° to 80°C)	
Port Size	NPT	3/4, 1
Standard Filtration	5 Micron	
Weight	3.5 lb. (1.6 kg)	

* Inlet pressure 100 PSIG (6.9 bar). Pressure drop 5 PSID (0.3 bar).

"F" Series Filters, Type "A" 5 micron elements: All Wilkerson Type "A" 5 micron elements **meet or exceed ISO Class 3** for maximum particle size and concentration of solid contaminants.

Materials of Construction

Baffle	Plastic
Body	Aluminum
Bowls	Aluminum
Deflector	Plastic
Filter Element	Sintered Polyethylene
Seals	Nitrile
Sight Gauge	Polyamide (Nylon)



Dimensions

Models	Inches (mm)	A	A(PB)	B	C	D†	E†	F
Standard Unit F39-XX-SL00		3.62 (92)	5.91 (150)	3.62 (92)	1.38 (35)	9.57 (243)	10.95 (278)	4.92 (125)

† With Manual Drain or Internal Auto Drain

 = "Most Popular"

Replacement Bowl Kits

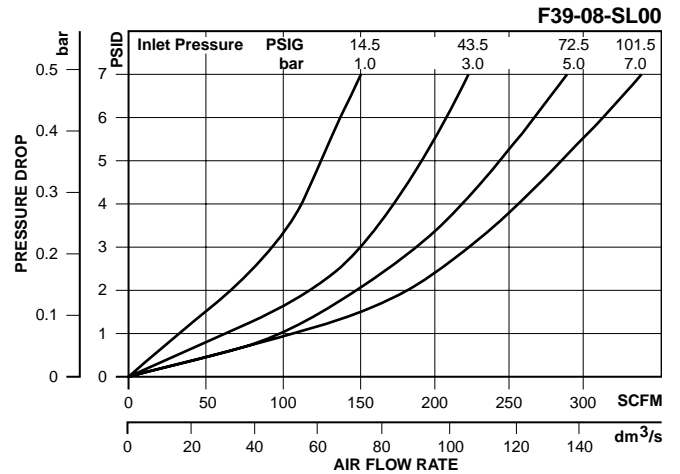
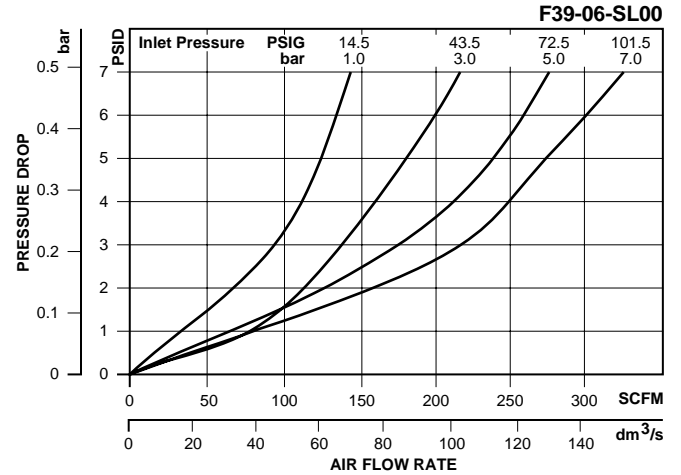
- Metal Bowl –
- Sight Gauge / Internal Auto Drain..... P3NKA00BSA
- Sight Gauge / Manual Drain.....P3NKA00BSM

Replacement Element Kits

- 40 Micron P3NKA00ESG

Accessories

- Bowl Latch Kit P3NKA00RH
- Drain Kits –
- Internal Auto DrainPS506
- Manual Drain PS512
- Mounting Bracket Kit P3NKA00MW
- Sight Gauge KitP3NKA00PE



B
Filters, Regulators, Lubricators

Ordering Information

Model Type	Port Size	Metal Bowl / Sight Gauge
Manual Drain	3/4	F39-06-SL00
	1	F39-08-SL00
Automatic Drain	3/4	F39-06-SH00
	1	F39-08-SH00

Options - To order an option supplied with the unit model, add the appropriate coded suffix letter in the designated position of the model number.